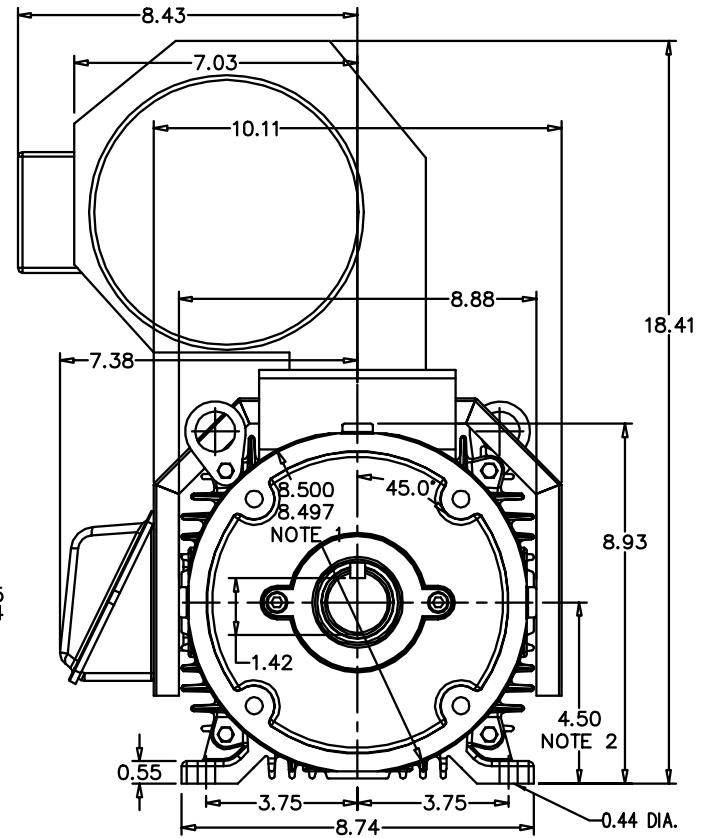
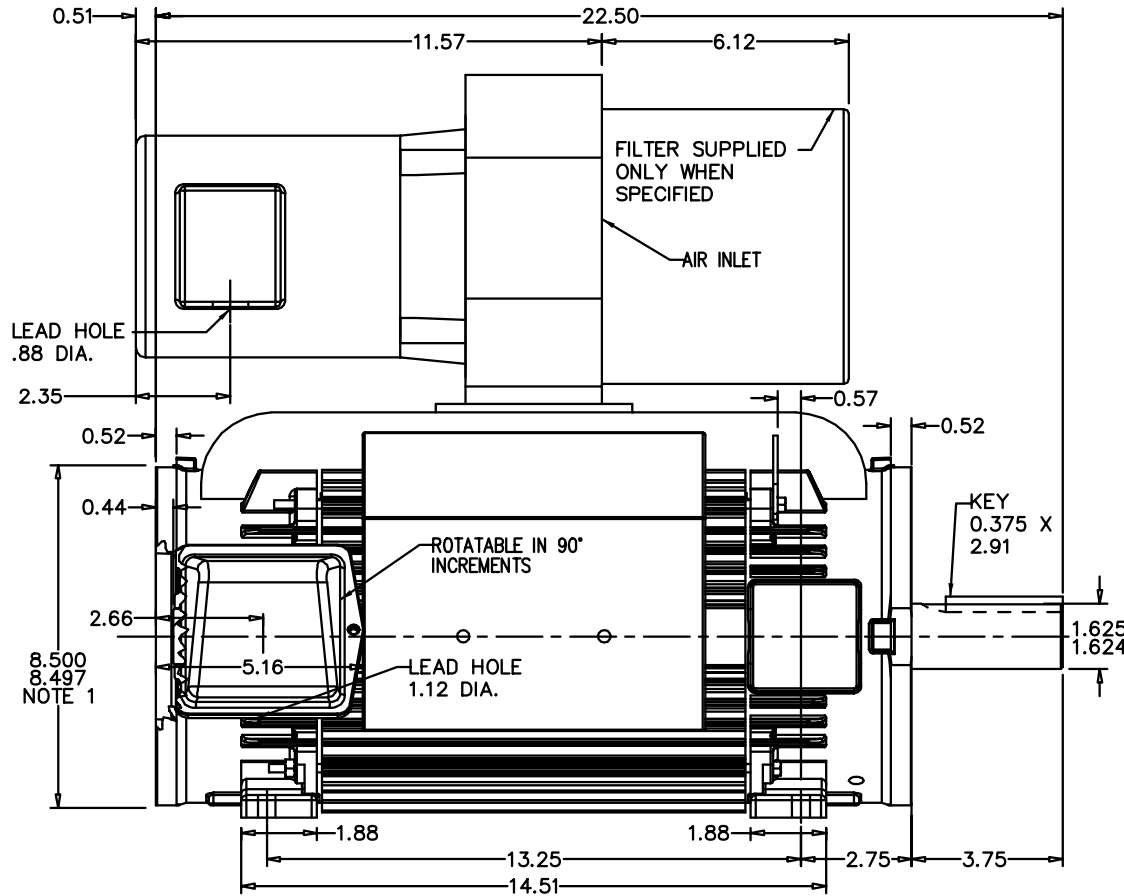


ENCLOSURE: DRIP PROOF
 MOUNTING: FOOT / NEMA 250TC C-FACE
 DRIVE METHOD: COUPLED OR BELTED

RPM-AC FINNED FRAME VARIABLE SPEED ALTERNATING CURRENT MOTOR FL1852CZ

COOLING: FORCE VENTILATED
 ACCESSORIES: PROVISIONS FOR TACHOMETER MOUNTING ONLY WHEN SPECIFIED



NOTE 1: C-FACE & TACHOMETER MOUNTING
 1/2-13 TAP, 1.00 DEEP, ON A 7.25 DIA. BOLT CIRCLE
 FACE RUNOUT AND ECCENTRICITY 0.004 MAX. T.I.R.
 NOTE 2: SHAFT HEIGHT WILL NOT BE EXCEEDED
 SHIMS UP TO 0.03 INCHES IN THICKNESS ARE USUALLY
 REQUIRED FOR COUPLED OR GEARED MACHINES

TERMINAL BOX MAY BE LOCATED F1 OR F2 IF SPECIFIED
 40 AMP STEEL TERMINAL BOX SHOWN
 REFER TO 616779-50 FOR SPECIFIED TERMINAL BOX DIMENSIONS
 REFER TO 616779-55 FOR SPECIFIED TACHOMETER DIMENSIONS
 CUSTOMER IS RESPONSIBLE FOR DETERMINING THAT BALDOR'S PRODUCT WILL PERFORM SUITABLY IN THE INTENDED APPLICATION.

MOTOR WEIGHT: 230 LBS. (MAY VARY 15%)
 DIMENSIONS ARE IN INCHES SCALE: 1.00

REV. DESC: SEE TDR.	VERSION: 03	TDR: 00000751510
REV. LTR: C	REVISED: 03:00:53 06/13/2012	BY: RGGJGG
FILE: \RGG\00003\299		
MTL: -		

BALDOR

DIM SH 250TC RPMAC DPFV FL1852CZ FT MT PROV FOR TACH
 SH 1 of 1