

RPM-AC FINNED FRAME VARIABLE SPEED ALTERNATING CURRENT MOTOR FL4451Z

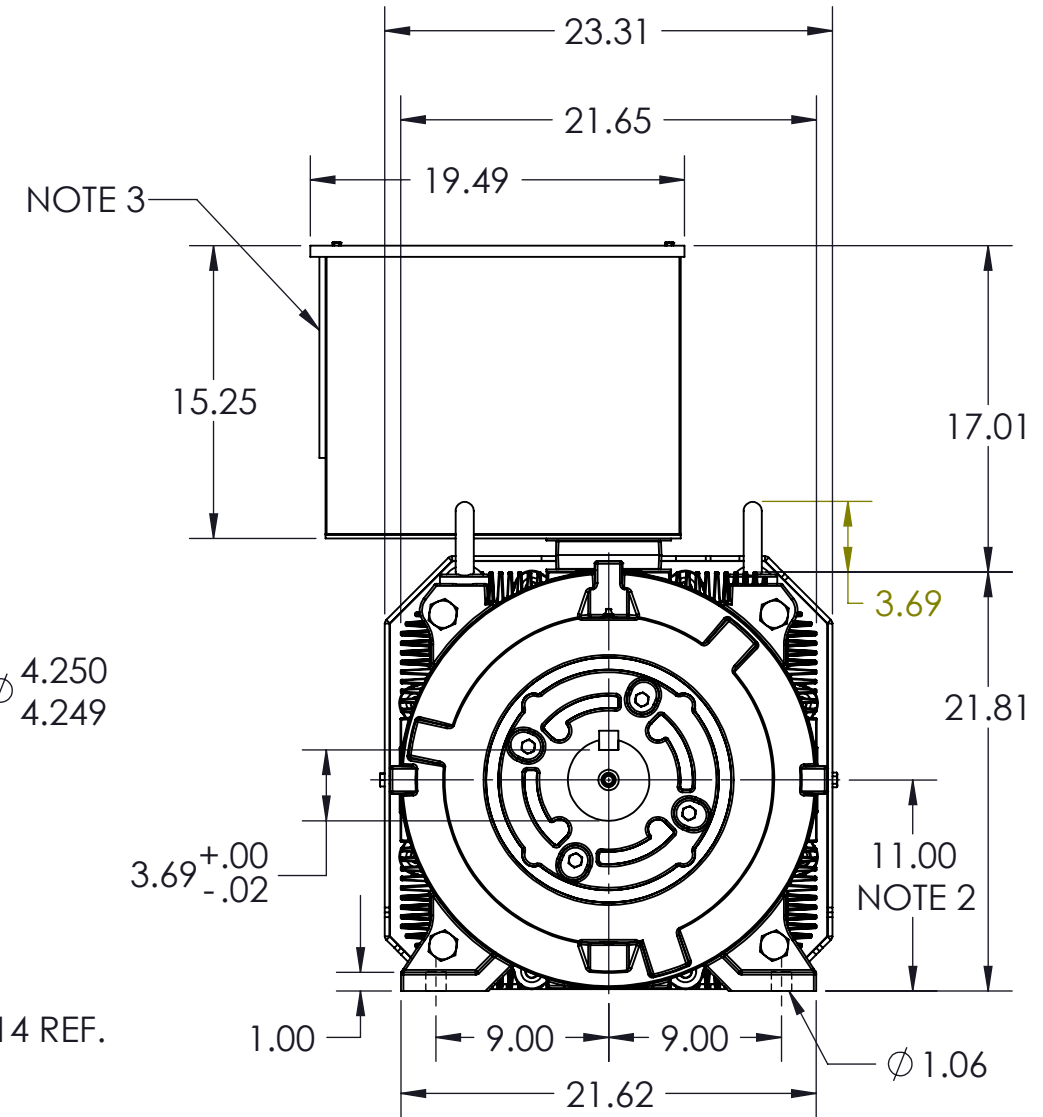
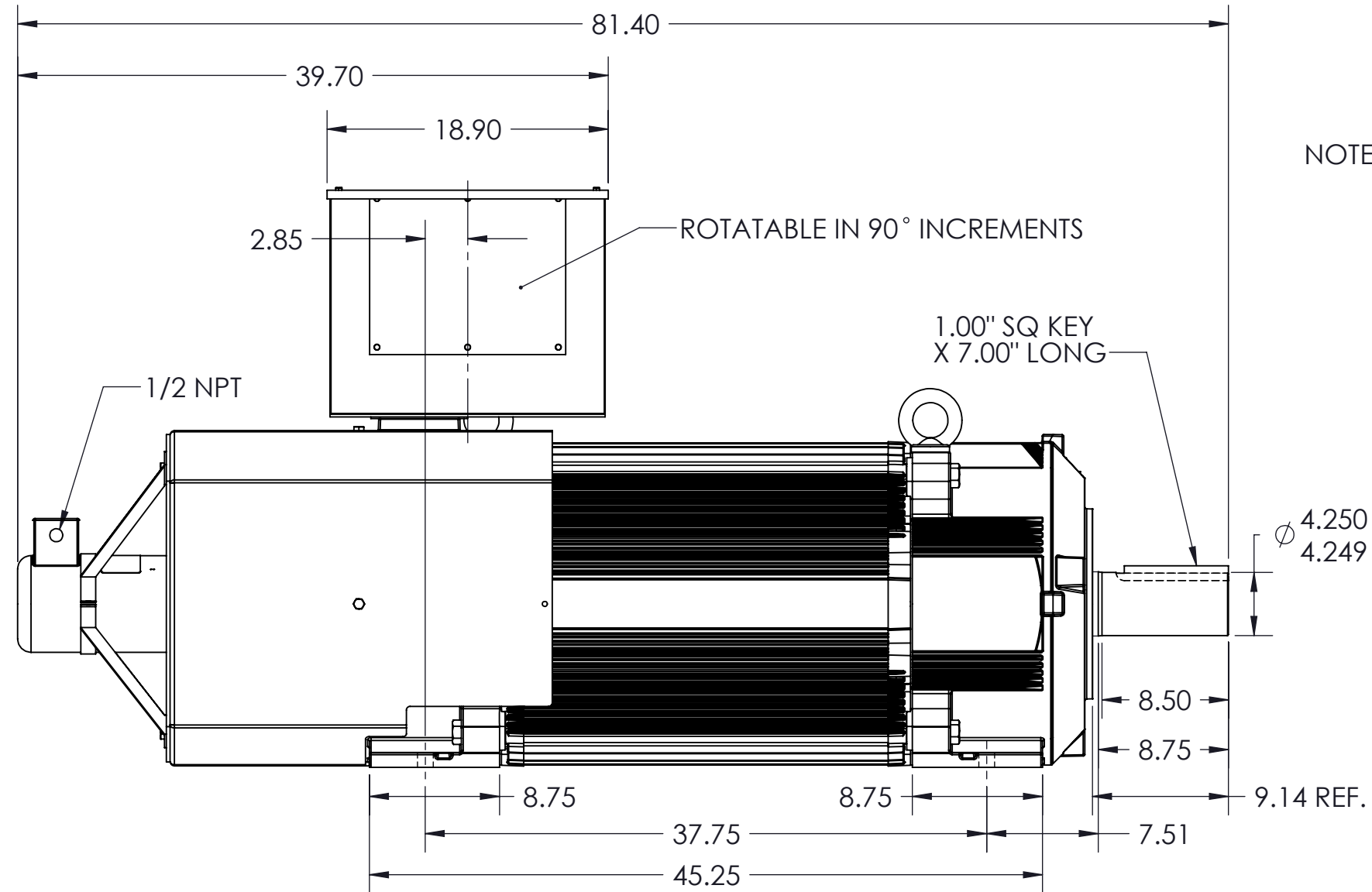
ENCLOSURE: TOTALLY ENCLOSED

COOLING: BLOWER COOLED

MOUNTING: FOOT

ACCESSORIES: PROVISIONS FOR TACHOMETER MOUNTING ONLY WHEN SPECIFIED

617569-001



NOTE 1: O.D.E. C-FACE & TACHOMETER MOUNTING
1/2-13 TAP, 1.00 DEEP, ON A $\phi 7.25$ B.C.
FACE RUNOUT AND ECCENTRICITY 0.004 MAX. T.I.R.

MOTOR WEIGHT: 4260 LBS.
MAY VARY 15% FOR NON-STANDARD RATINGS AND/OR ACCESSORIES

NOTE 2: SHAFT HEIGHT WILL NOT BE EXCEEDED
SHIMS UP TO 0.06 INCHES IN THICKNESS ARE USUALLY REQUIRED FOR COUPLED OR GEARED MACHINES

REFER TO 616779-55 FOR SPECIFIED TACHOMETER DIMENSIONS
IF MOUNTING DETAILS ARE REQUIRED, CONSULT FACTORY

NOTE 3: REMOVEABLE COVER PLATE FOR CUSTOMER DRILLING
NOTE 4: TERMINAL BOX CAN BE LOCATED F1 OR F2 IF SPECIFIED

REV. DESC: UPDATE OVER-ALL LENGTH TO 81.40			
REV: B	VERSION: 02	REVISED: 04:06:37 01/22/2013	TDR: 000000782289
MODEL NO. FL440_TEBC		REF:	
BY: RGGRWM		B	

BALDOR • DODGE • RELIANCE

FL4451Z TEBC DIMENSION SHEET

DIMENSIONS ARE IN INCHES

617569-001