

# RPM-AC FINNED FRAME VARIABLE SPEED ALTERNATING CURRENT MOTOR FL2890Z

ENCLOSURE: TOTALLY ENCLOSED

MOUNTING: FOOT

DRIVE METHOD: COUPLED OR BELTED

COOLING: BLOWER COOLED

ACCESSORIES: PROVISIONS FOR TACHOMETER MOUNTING ONLY WHEN SPECIFIED

D

D

C

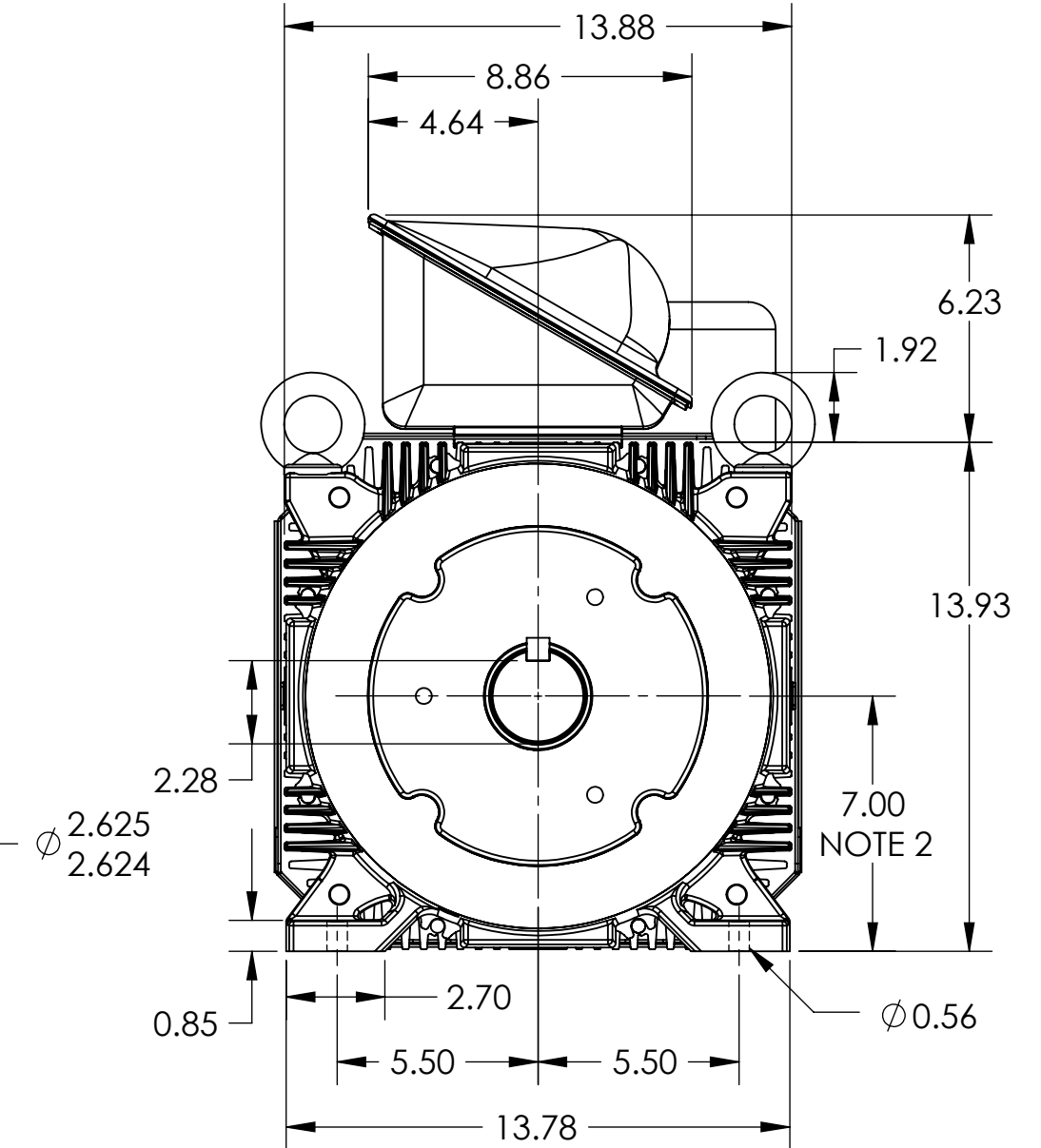
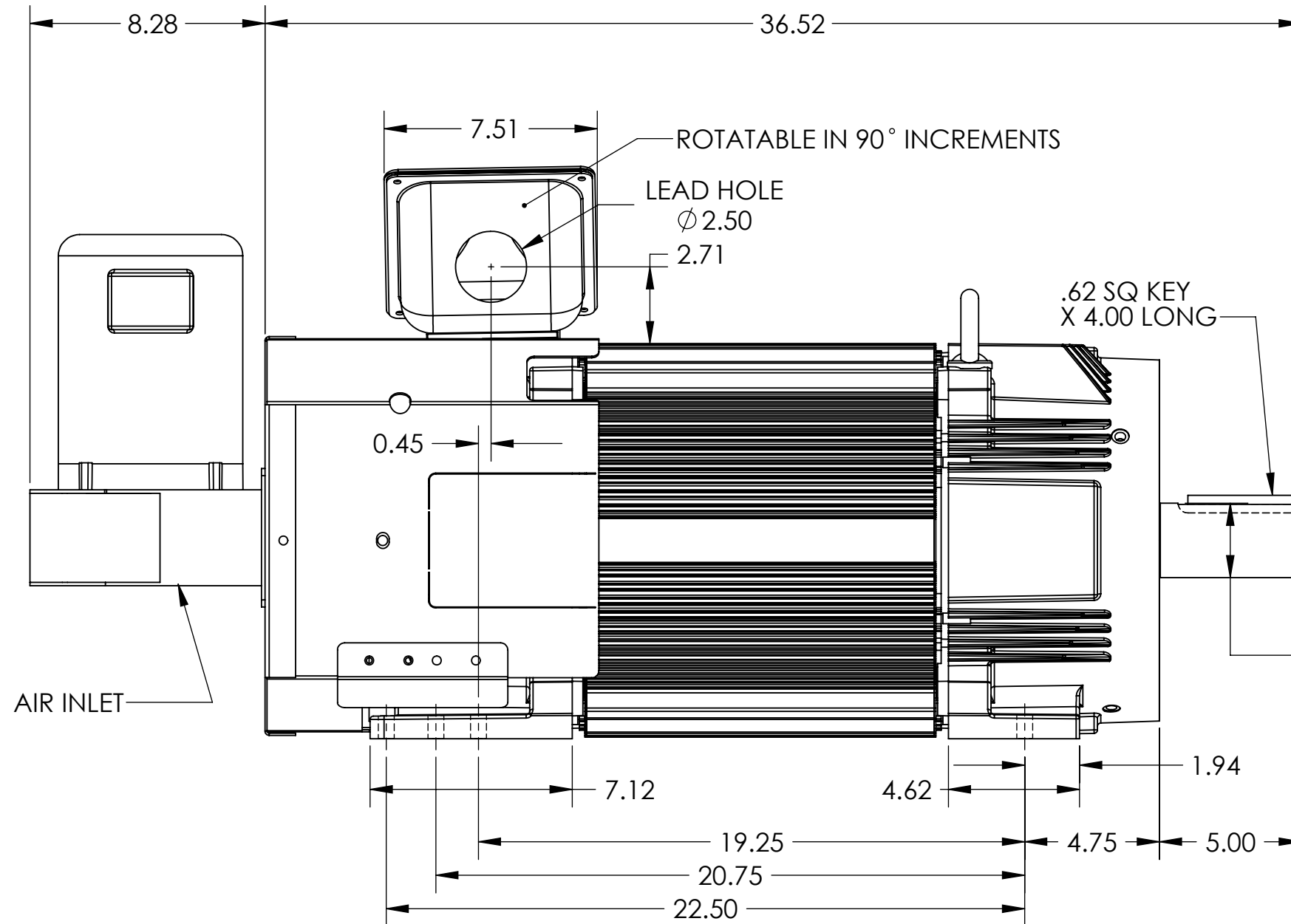
C

B

B

A

A



TERMINAL BOX MAY BE LOCATED F1 OR F2 IF SPECIFIED  
160 AMP STEEL TERMINAL BOX SHOWN  
REFER TO 616779-50 FOR SPECIFIED TERMINAL BOX DIMENSIONS  
REFER TO 616779-55 FOR SPECIFIED TACHOMETER DIMENSIONS

DIMENSIONS ARE IN INCHES  
MOTOR WEIGHT: 805 LBS. (MAY VARY 15%)

NOTE 1: O.D.E. C-FACE & TACHOMETER MOUNTING  
1/2-13 TAP, 1.00 DEEP, ON A Ø 7.25 B.C.  
FACE RUNOUT AND ECCENTRICITY 0.004 MAX. T.I.R.

NOTE 2: SHAFT HEIGHT WILL NOT BE EXCEEDED  
SHIMS UP TO 0.03 INCHES IN THICKNESS ARE USUALLY  
REQUIRED FOR COUPLED OR GEARED MACHINES

REV. DESC: ROTATE BLOWER ASSEMBLY 90 DEGREES			
REV: B	VERSION: 02	REVISED: 11:23:37 07/02/2018	TDR: 000001076958
MODEL NO. 617531-034			
BY: RGGWT			<b>B</b>

**BALDOR - RELIANCE®**

DIM SHT,FL2890Z,TEBC,PROV FOR TACH,FT MTG,RMM BLOWER

617531-034

617531-034

8

7

6

5

4

3

2

1

8

7

6

5

4

3

2

1