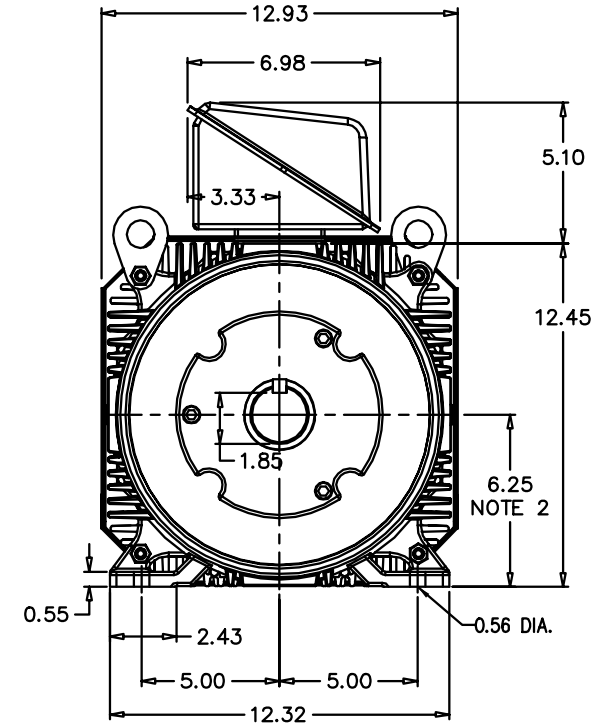
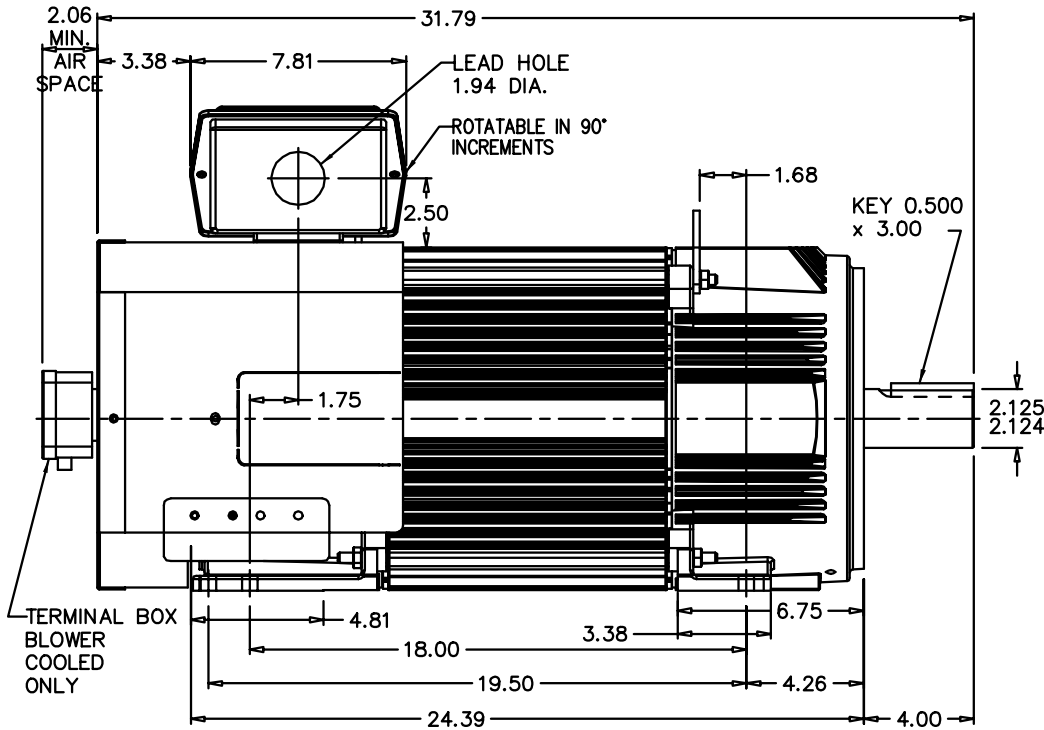


# RPM-AC FINNED FRAME VARIABLE SPEED ALTERNATING CURRENT MOTOR FL2578Z

ENCLOSURE: TOTALLY ENCLOSED  
 MOUNTING: FOOT  
 DRIVE METHOD: COUPLED OR BELTED

COOLING: BLOWER COOLED or  
 FAN COOLED  
 ACCESSORIES: PROVISIONS FOR  
 TACHOMETER MOUNTING  
 ONLY WHEN SPECIFIED



NOTE 1: C-FACE & TACHOMETER MOUNTING  
 1/2-13 TAP, 1.00 DEEP, ON A 7.25 DIA. BOLT CIRCLE  
 FACE RUNOUT AND ECCENTRICITY 0.004 MAX. T.I.R.

NOTE 2: SHAFT HEIGHT WILL NOT BE EXCEEDED  
 SHIMS UP TO 0.03 INCHES IN THICKNESS ARE USUALLY  
 REQUIRED FOR COUPLED OR GREARED MACHINES

TERMINAL BOX MAY BE LOCATED F1 OR F2 IF SPECIFIED  
 121 AMP STEEL TERMINAL BOX SHOWN  
 REFER TO 616779-50 FOR SPECIFIED TERMINAL BOX DIMENSIONS  
 REFER TO 616779-55 FOR SPECIFIED TACHOMETER DIMENSIONS

MOTOR WEIGHT: 540 LBS. (MAY VARY 15%)  
 DIMENSIONS ARE IN INCHES SCALE: 1.00

CUSTOMER IS RESPONSIBLE FOR DETERMINING THAT BALDOR'S PRODUCT WILL PERFORM SUITABLY IN THE INTENDED APPLICATION.

REV. DESC: ADDED FOOT WIDTH DIMENSIONS		
REV. LTR: A	VERSION: 01	TDR: 000000872437
FILE: \RGG\00002\993	REVISED: 11:19:24 09/19/2014	BY: RGGRWM
MTL: -		

## BALDOR

DIM SHT FL2578Z RPM AC TE BLWR OR FAN COOLED

SH 1 of 1

617577-001

617577-001