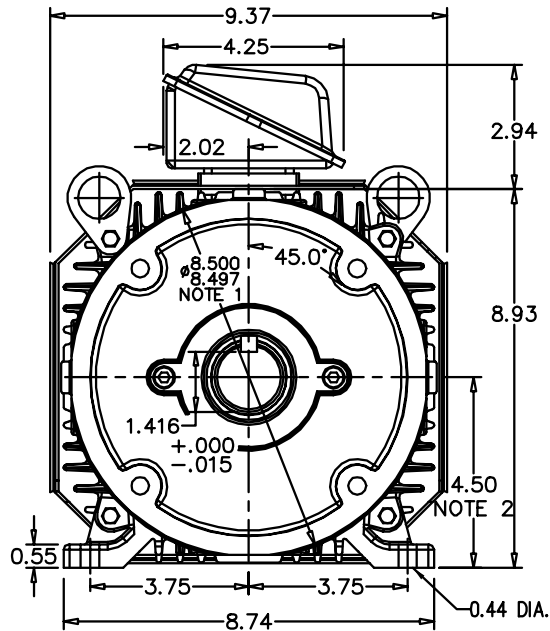
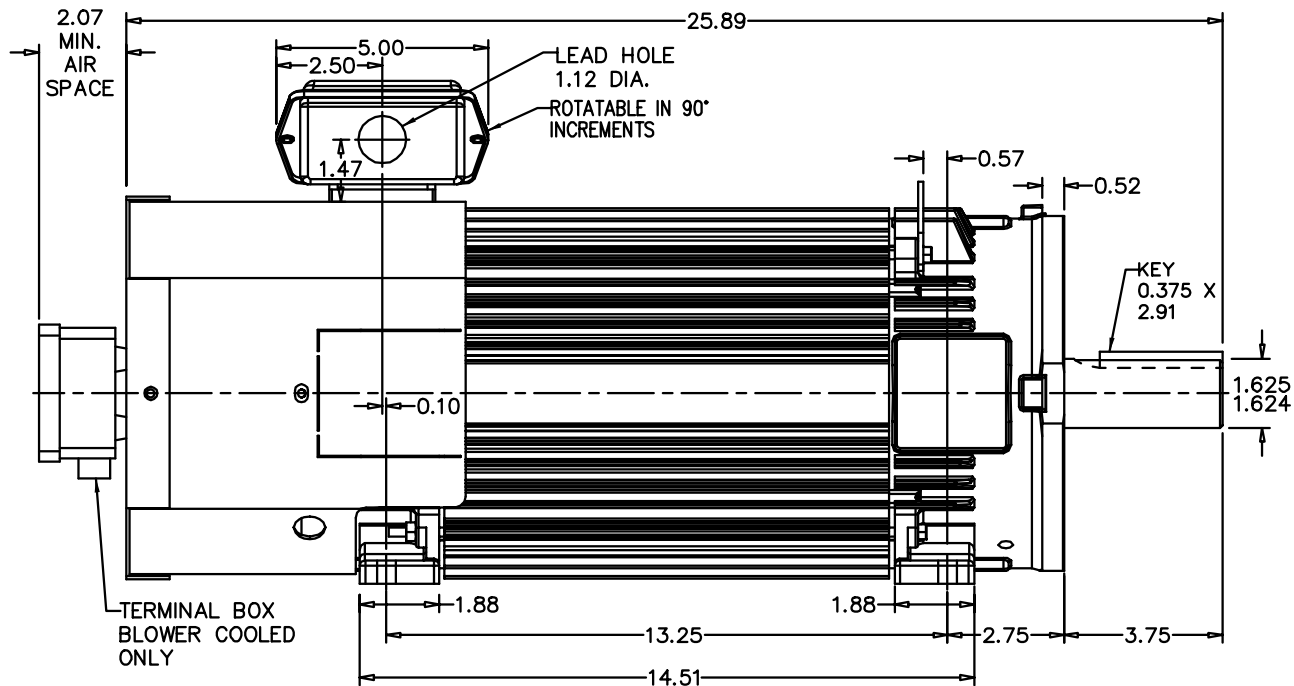


RPM-AC FINNED FRAME VARIABLE SPEED ALTERNATING CURRENT MOTOR FL1852CZ

ENCLOSURE: TOTALLY ENCLOSED
 MOUNTING: FOOT / NEMA 250TC C-FACE
 DRIVE METHOD: COUPLED OR BELTED

COOLING: BLOWER COOLED or FAN COOLED
 ACCESSORIES: PROVISIONS FOR TACHOMETER MOUNTING ONLY WHEN SPECIFIED



NOTE 1:

C-FACE & TACHOMETER MOUNTING
 1/2-13 TAP, 1.00 DEEP, ON A 7.25 DIA. BOLT CIRCLE

NOTE 2: FACE RUNOUT AND ECCENTRICITY 0.004 MAX. T.I.R.

SHAFT HEIGHT WILL NOT BE EXCEEDED
 SHIMS UP TO 0.03 INCHES IN THICKNESS ARE USUALLY
 REQUIRED FOR COUPLED OR GREARED MACHINES

TERMINAL BOX MAY BE LOCATED F1 OR F2 IF SPECIFIED
 40 AMP STEEL TERMINAL BOX SHOWN
 REFER TO 616779-50 FOR SPECIFIED TERMINAL BOX DIMENSIONS
 REFER TO 616779-55 FOR SPECIFIED TACHOMETER DIMENSIONS

MOTOR WEIGHT: 209 LBS. (MAY VARY 15%)
 DIMENSIONS ARE IN INCHES SCALE: 1.00

CUSTOMER IS RESPONSIBLE FOR DETERMINING THAT BALDOR'S PRODUCT WILL PERFORM SUITABLY IN THE INTENDED APPLICATION.

REV. DESC: CLARIFY MOUNTING HOLE DIMENSIONS		
REV. LTR: B	VERSION: 02	TDR: 00000931418
FILE: \RGG\00003\273	REVISED: 01:34:52 06/23/2015	BY: RGGWT
MTL: -		

BALDOR

DIM SH 250TC RPMAC TEBC/FC FL1852CZ FT MT PROV FOR TACH
 SH 1 of 1