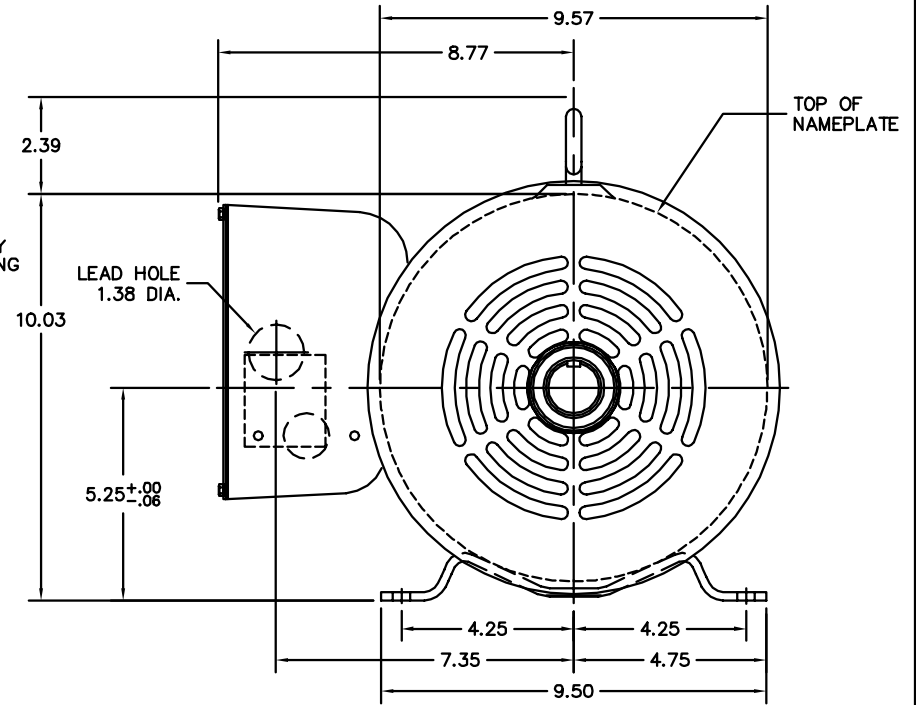


PULLEY END DETAIL



CUSTOMER IS RESPONSIBLE FOR DETERMINING THAT BALDOR'S PRODUCT WILL PERFORM SUITABLY IN THE INTENDED APPLICATION.

REV. DESC: REPLACE 07FH4007A06 W/A52		
REV. LTR: B	VERSION: 02	TDR: 000000929889
FILE: \AAA\00205\447	REVISED: 09:41:41 06/12/2015	BY: ENALEMO
MTL: -		

**BALDOR**

HOR 213-5T TEFC LC,DUAL EXPN,1.50 MTO,FIN ENDRING,TORQ,SEAL

SH 1 of 1