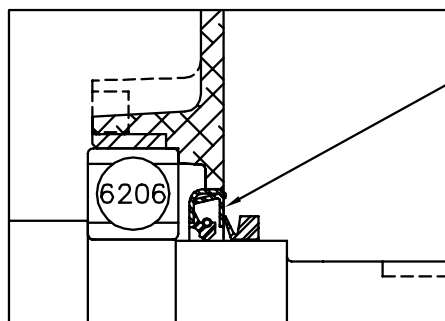


FARM DUTY



PULLEY END DETAIL

APPLY COAT OF SEALER TO HOUSING BEFORE PRESSING IN SEAL

CUSTOMER IS RESPONSIBLE FOR DETERMINING THAT BALDOR'S PRODUCT WILL PERFORM SUITABLY IN THE INTENDED APPLICATION.

REV. DESC: CHG FREP TO 36EP3104A85, CHG FH TO 36FH4009A132		
REV. LTR: C	VERSION: 03	TDR: 00000919753
FILE: \AAA\00205\558	REVISED: 09:57:26 04/27/2015	BY: FGCHAH1
MTL: -		

BALDOR

HOR 182-4 TEFC 36LC W/1.25 MTO, SEAL PU END, SLD BRS, TORQ

SH 1 of 1