

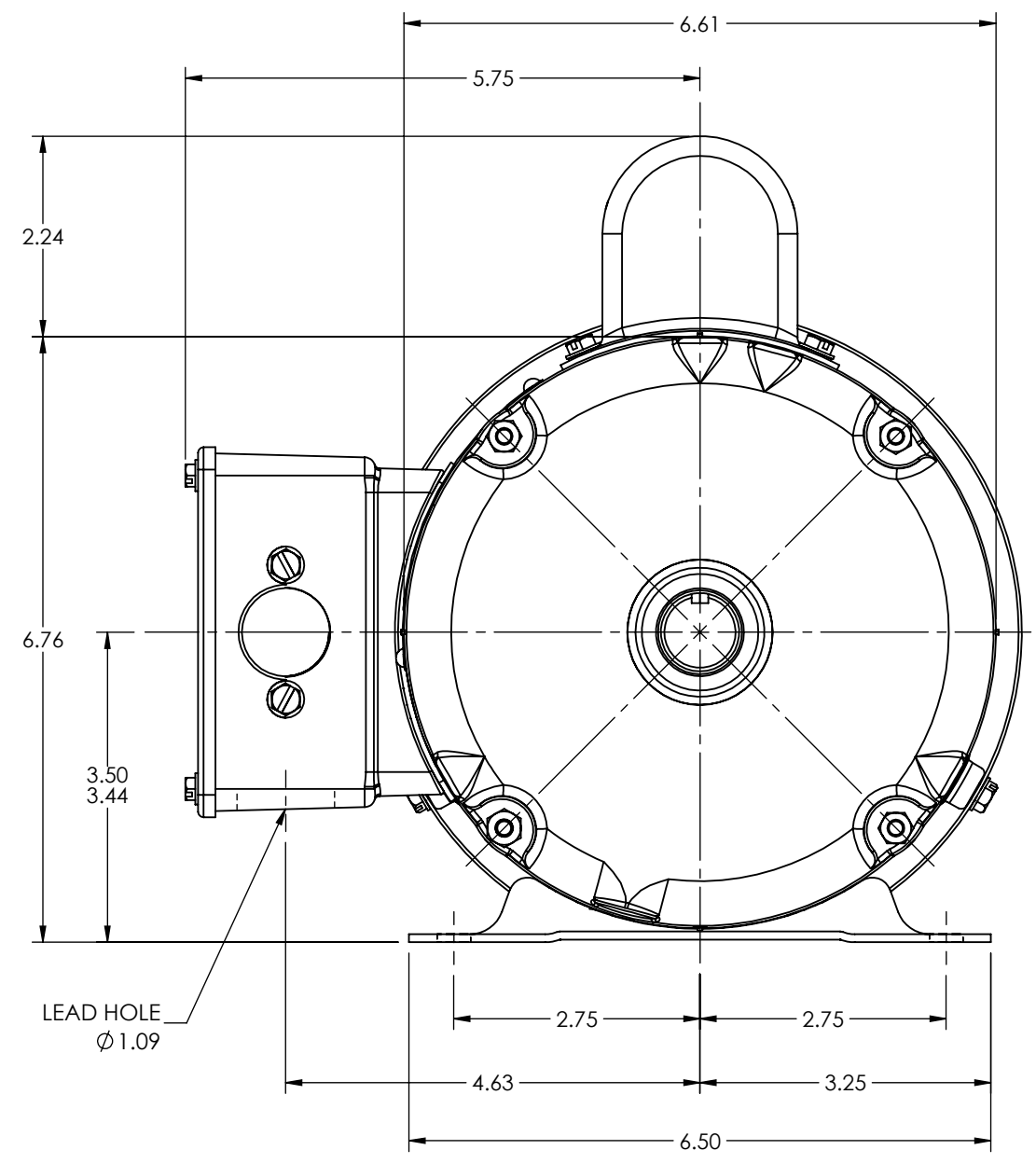
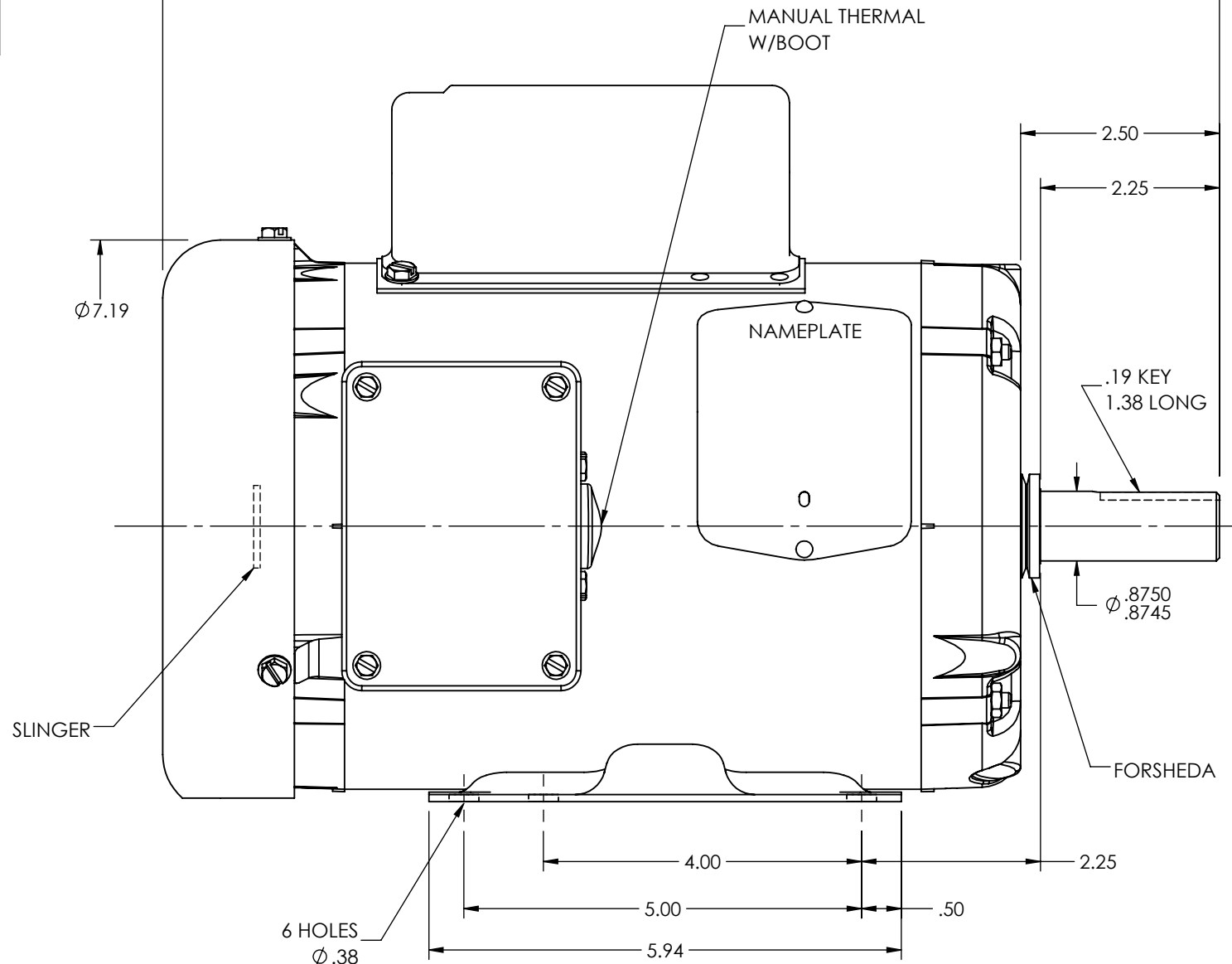
8 7 6 5 4 3 2 1

35LYE2360

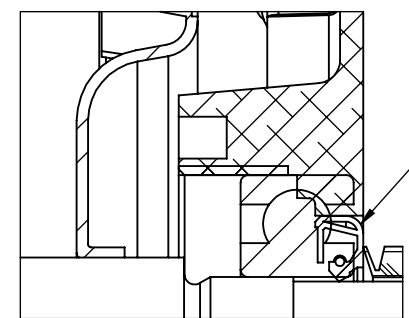
D
C
B
A

D
C
B
A

510-520 = 12.29
521-528 = 13.29
529-535 = 14.16
536-546 = 15.54



FARM DUTY MOTOR



APPLY COAT OF SEALER TO HOUSING BEFORE PRESSING IN SEAL

PULLEY END DETAIL

CUSTOMER IS RESPONSIBLE FOR DETERMINING THAT THE PRODUCT WILL PERFORM SUITABLY IN THE INTENDED APPLICATION

REV. DESC: LOAD INOPC CREATED SWD DRG INTO BUS - PACKAGE 29			
REV: C	VERSION: 03	REVISED: 07:14:16 07/25/2019	TDR: 000001114730
MODEL NO. 35LYE2360			REF: -
BY: USBUFRA			B

BALDOR - RELIANCE®
HOR 143-5T TEFC L, .75 MTO KOBX, 1.09 DIA. LD HL, SEAL PU END
SH 1 of 1

35LYE2360

8 7 6 5 4 3 2 1