

DUTY MASTER ALTERNATING CURRENT MOTORS

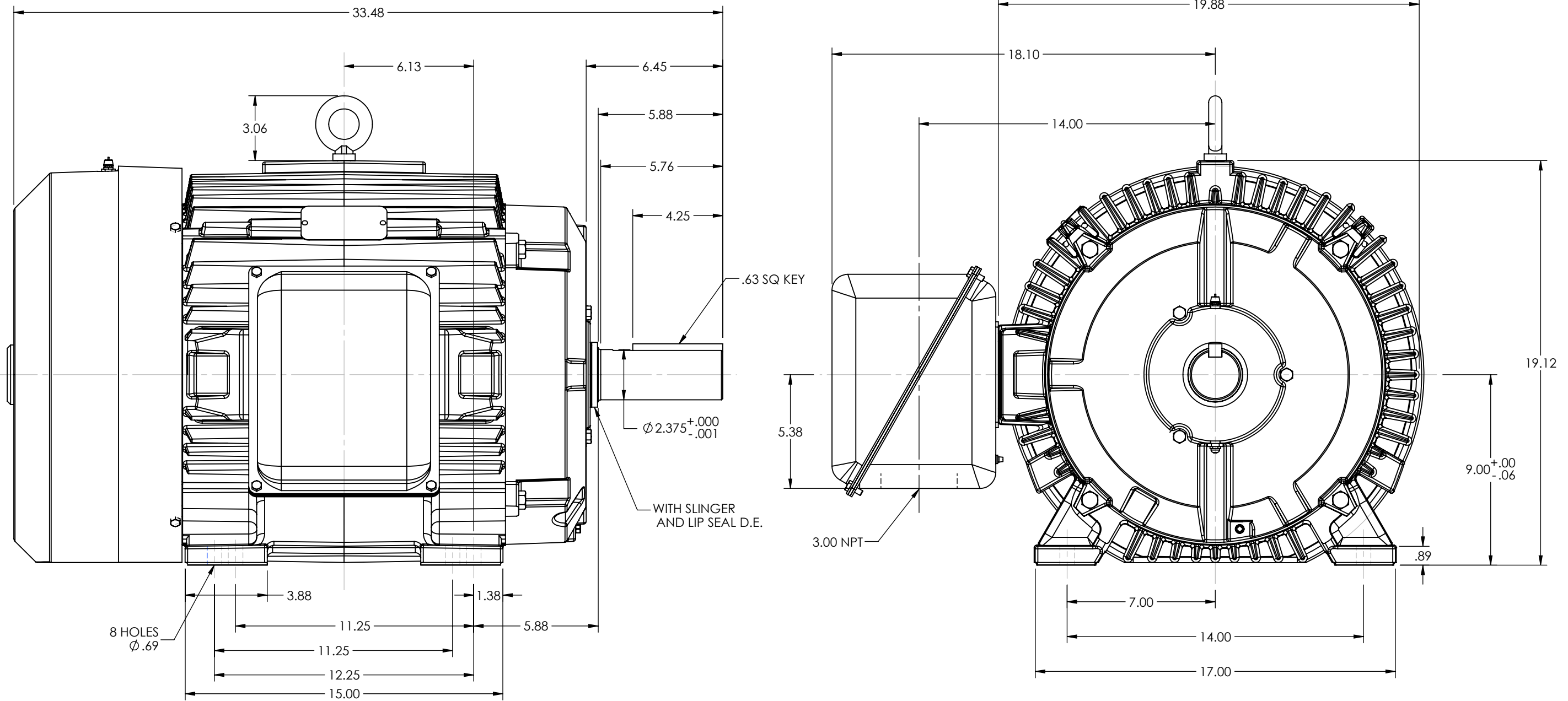
SQUIRREL-CAGE INDUCTION
CAST IRON CONSTRUCTION

ENCLOSURE: TOTALLY ENCLOSED
MOUNTING: FOOT

FRAMES 364T-365T

COOLING: FAN COOLED

617428-066



MAXIMUM PERMISSIBLE SHAFT RUNOUT WHEN MEASURED
AT END OF SHAFT EXTENSION IS .003 T.I.R.

WEIGHT (LBS): 364T = 800
365T = 840

MOTOR WEIGHTS MAY VARY BY 15% DEPENDING UPON RATING.

CUSTOMER IS RESPONSIBLE FOR DETERMINING THAT BALDOR'S PRODUCT WILL PERFORM SUITABLY IN THE INTENDED APPLICATION

REV. DESC: NEW ISSUE			
REV: -	VERSION: 00	REVISED: 11:25:15 04/01/2014	TDR: 000000846790
MODEL NO. 617428-066			REF:
BY: RAGGDM			B

BALDOR

D/S TEFC 364-365T FT MTG W/PLUGS/LIP SEAL/SLINGERS/LIP SEAL

617428-066