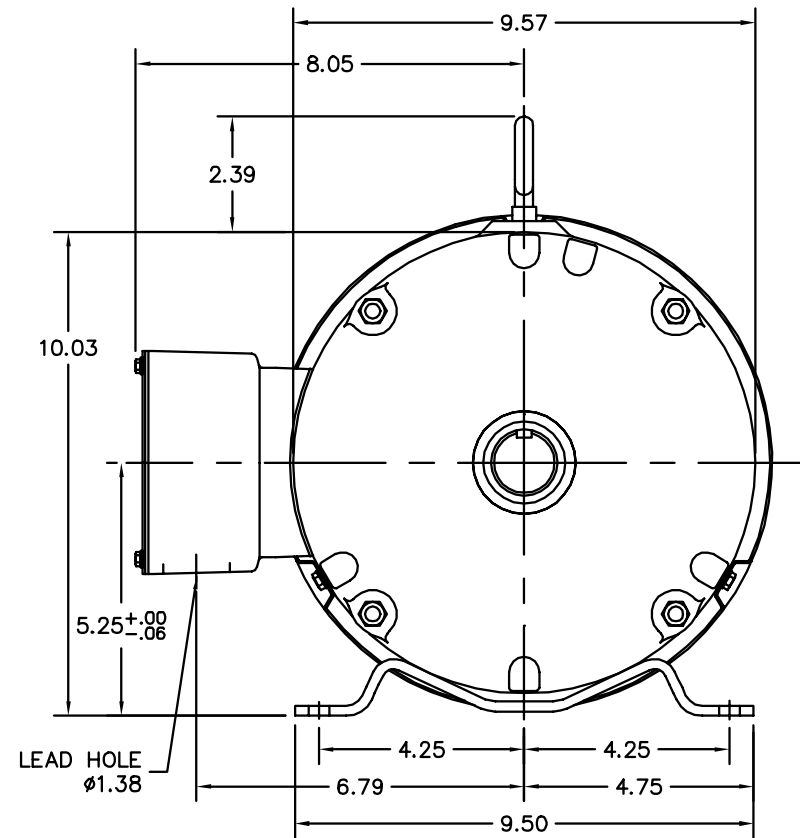



PULLEY END DETAIL

APPLY COAT OF SEALER TO HOUSING BEFORE PRESSING IN SEAL



CUSTOMER IS RESPONSIBLE FOR DETERMINING THAT BALDOR'S PRODUCT WILL PERFORM SUITABLY IN THE INTENDED APPLICATION.

REV. DESC: NEW		
REV. LTR: -	VERSION: 00	TDR: 00000829180
FILE: \AAA\00205\640	REVISED: 02: 47: 05 12/17/2013	BY: ENTROEO
MTL: -		

BALDOR

HOR 213-5T TEFC M,EPACT SHOVE,FARM DUTY,SEAL PU END,SLD BRGS