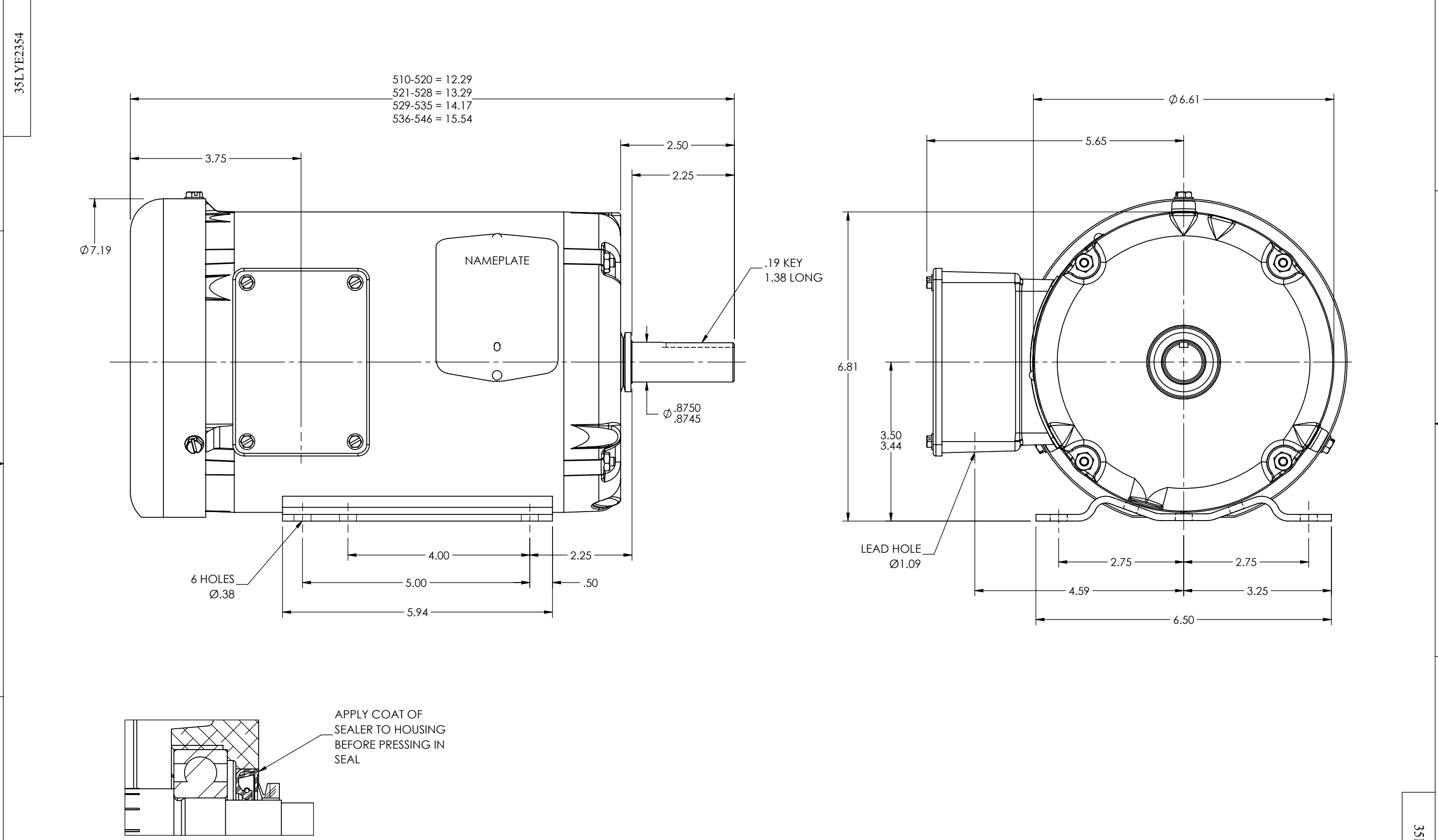


8 7 6 5 4 3 2 1



CUSTOMER IS RESPONSIBLE FOR DETERMINING THAT THE PRODUCT WILL PERFORM SUITABLY IN THE INTENDED APPLICATION

REV. DESC: LOADING OF SWD DWG FOR 2D TO 3D CONVERSION - PKG12			
REV: E	VERSION: 05	REVISED: 11:02:00 12/11/2018	TDR: 000001093440
MODEL NO. 35LYE2354		REF: -	
BY: ENSTEK0		B	

BALDOR - RELIANCE®

HORZ 143-5T TEFC 35M W/1.09 LEAD HOLE, SEAL PU END, SLD BRGS
 SH 1 of 1

8 7 6 5 4 3 2 1

35LYE2354