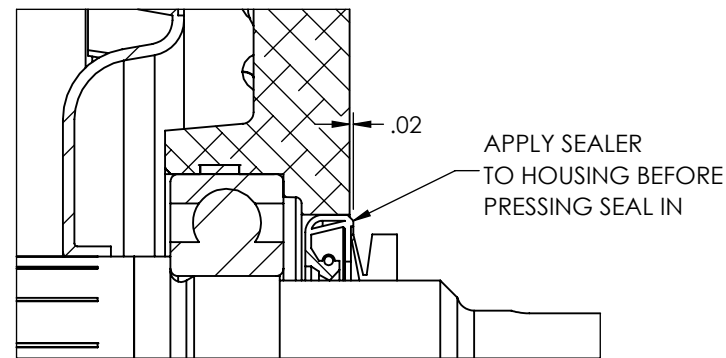
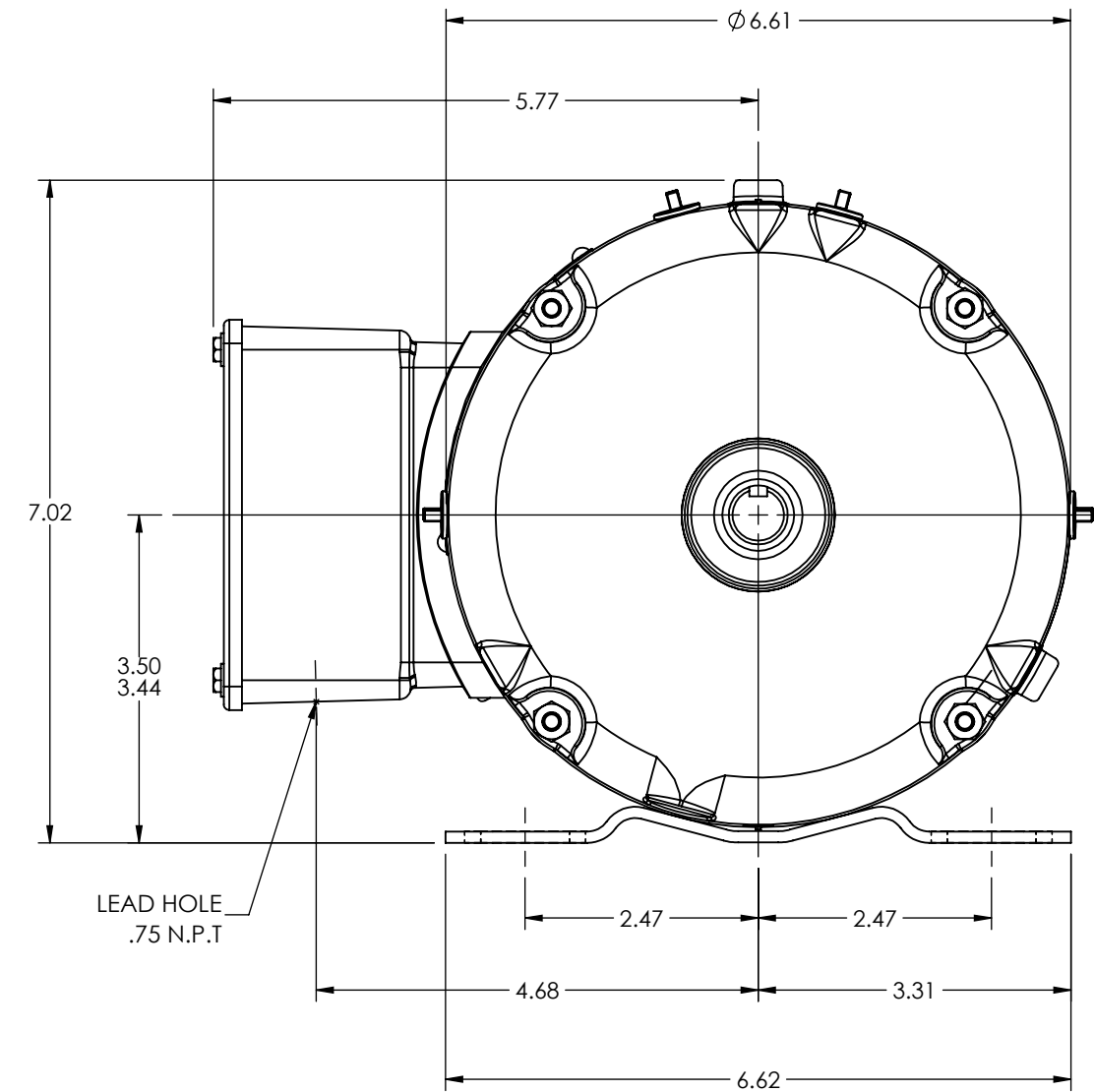
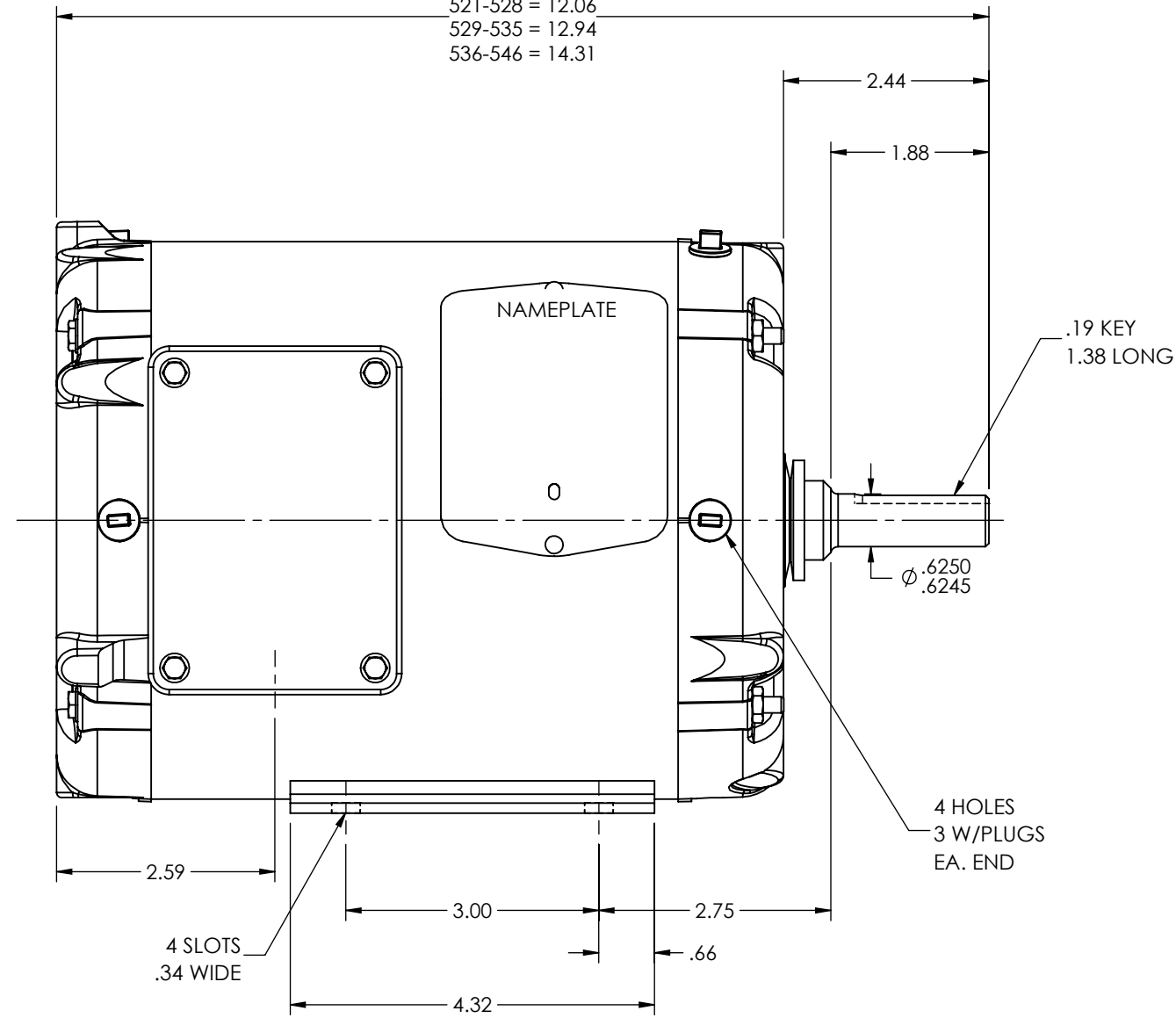


35LYE2680

510-520 = 11.06
521-528 = 12.06
529-535 = 12.94
536-546 = 14.31



PULLEY END DETAIL

CUSTOMER IS RESPONSIBLE FOR DETERMINING THAT THE PRODUCT WILL PERFORM SUITABLY IN THE INTENDED APPLICATION

REV. DESC: LOADING OF SWD DWG FOR 2D TO 3D CONVERSION PKG 16			
REV: C	VERSION: 03	REVISED: 11:02:35 02/01/2019	TDR: 000001098202
MODEL NO. 35LYE2680		REF: -	
BY: ENALEM0			B

BALDOR - RELIANCE®

HOR 56 TENV M WD .75 NPT (SP#9)
SH 1 of 1

35LYE2680