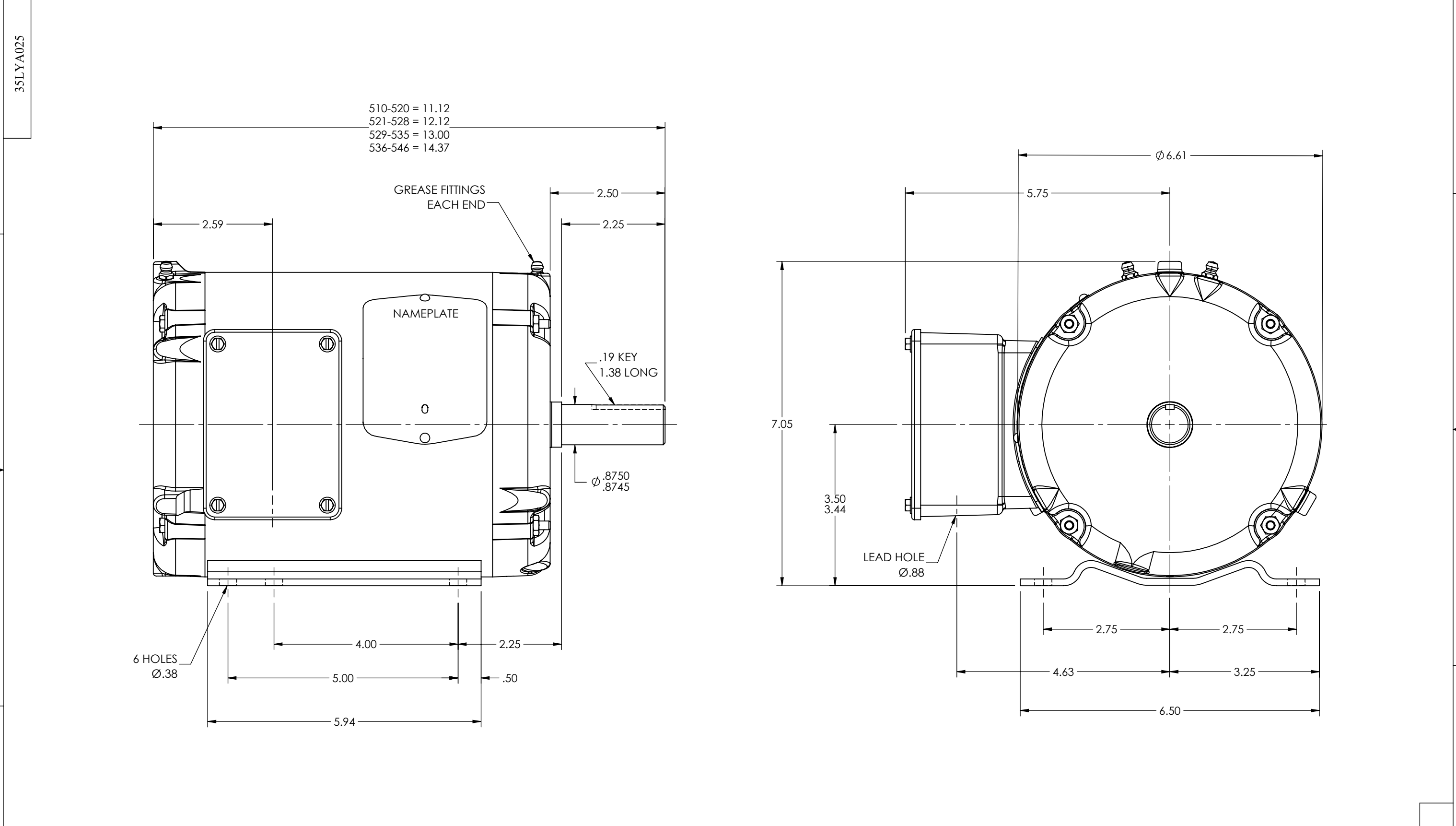


8 7 6 5 4 3 2 1



CUSTOMER IS RESPONSIBLE FOR DETERMINING THAT THE PRODUCT WILL PERFORM SUITABLY IN THE INTENDED APPLICATION

REV. DESC: LOADING OF SWD DWG FOR 2D TO 3D CONVERSION - PKG15			
REV: P	VERSION: 08	REVISED: 04:21:51 01/21/2019	TDR: 000001096905
MODEL NO. 35LYA025		REF: -	
BY: ENSTEK0			B

BALDOR - RELIANCE®

STD HORZ 143-5T TENV 35M
 SH 1 OF 1

A

35LYA025

8 7 6 5 4 3 2 1