

DUTY MASTER ALTERNATING CURRENT MOTORS

SQUIRREL-CAGE INDUCTION

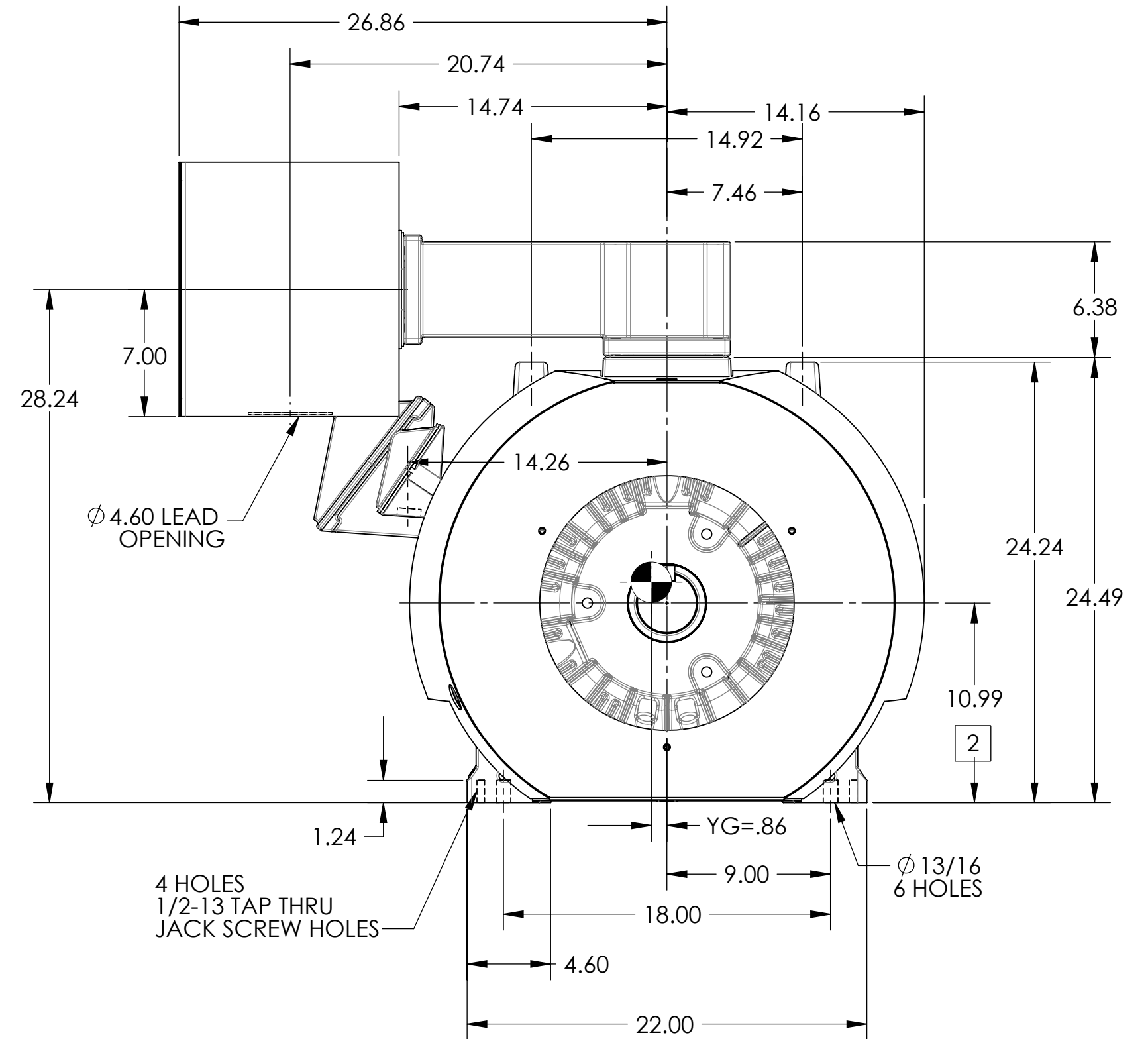
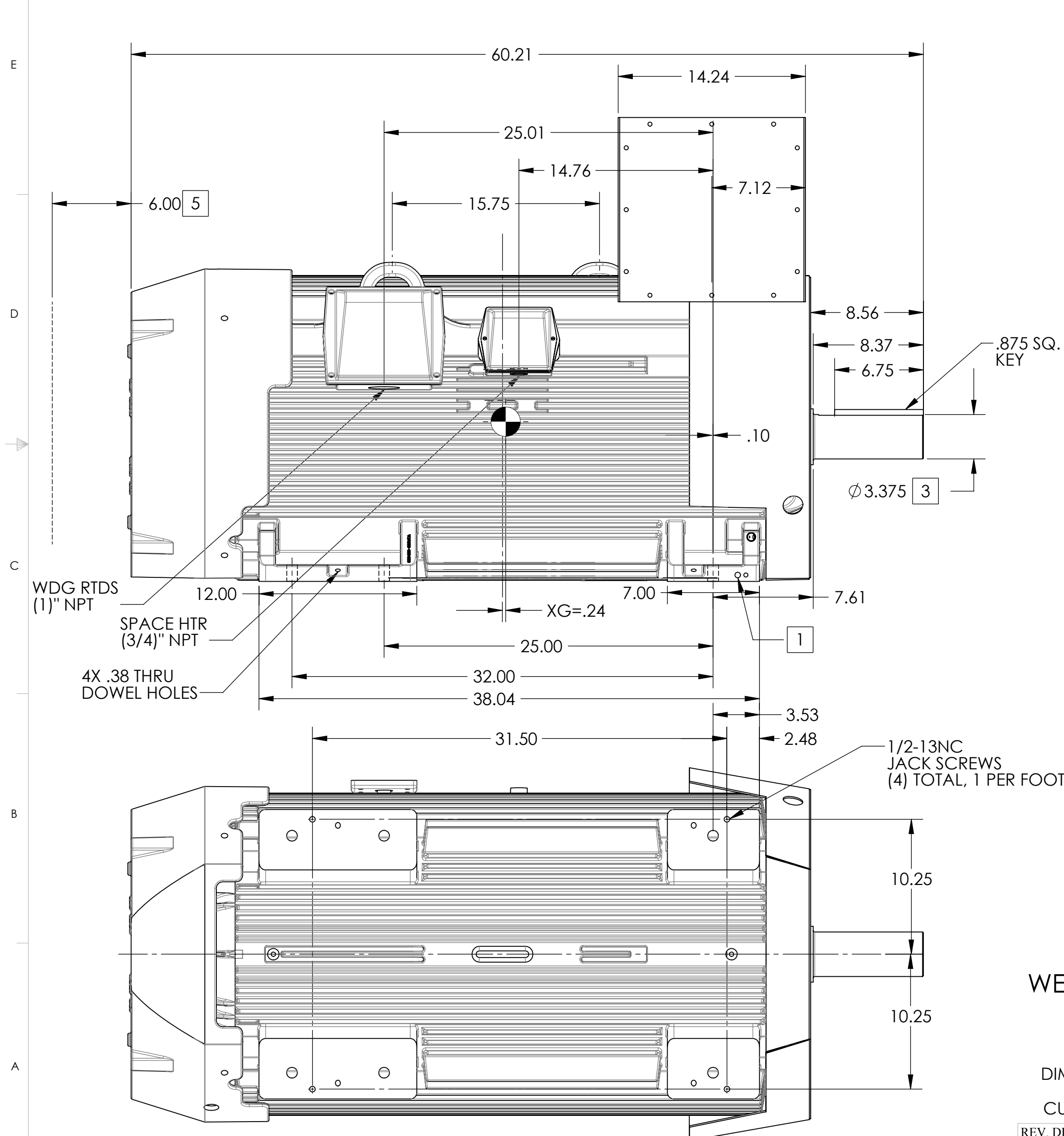
ENCLOSURE: TOTALLY ENCLOSED

FRAME GL449T ABOVE NEMA RATINGS

COOLING: FAN COOLED

MOUNTING: FOOT

INCLUDES DOWEL PIN HOLES, VERTICAL JACK SCREW HOLES, F1 AUX BOXES FOR WDG RTD & SPACE HEATERS AND 14X14X12 FABRICATED MAIN CBOX



- 1. GROUND HOLES QTY 1 1/2-13 TAP; QTY 1 3/8-16 TAP
- 2. VARIES +.00,-.06
- 3. VARIES +.000,-.001
- 4. MOTOR WEIGHTS MAY VARY BY 15% DEPENDING ON RATING.
- 5. OBSTRUCTION MUST NOT ENCROACH ON AIR INLET

CONDUIT BOX LOCATED ON OPPOSITE SIDE WHEN F-2.
 IF MOUNTING CLEARANCE DETAILS ARE REQUIRED, CONSULT FACTORY.
 MAXIMUM PERMISSIBLE SHAFT RUNOUT WHEN MEASURED AT END OF STANDARD SHAFT EXTENSION IS .003" T.I.R. TO 5 INCH DIA.

WEIGHT (LBS): 4000

DIMENSIONS ARE IN INCHES

CUSTOMER IS RESPONSIBLE FOR DETERMINING THAT MOTOR PERFORMANCE IS SUITABLE IN THE APPLICATION.

REV. DESC: ADD COG TO DRAWING	REVISED: 01:40:05 08/31/2015	TDR: 000000941807
REV: A VERSION: 01	MODEL NO. 617423-169	REF:
BY: RAGJSS1	Material:	

BALDOR

D/S GL449T W/ 14X14X12 CB,DOWEL,JACK SCREWS,320 AUX,180 AUX

DUTY MASTER ALTERNATING CURRENT MOTORS

SQUIRREL-CAGE INDUCTION

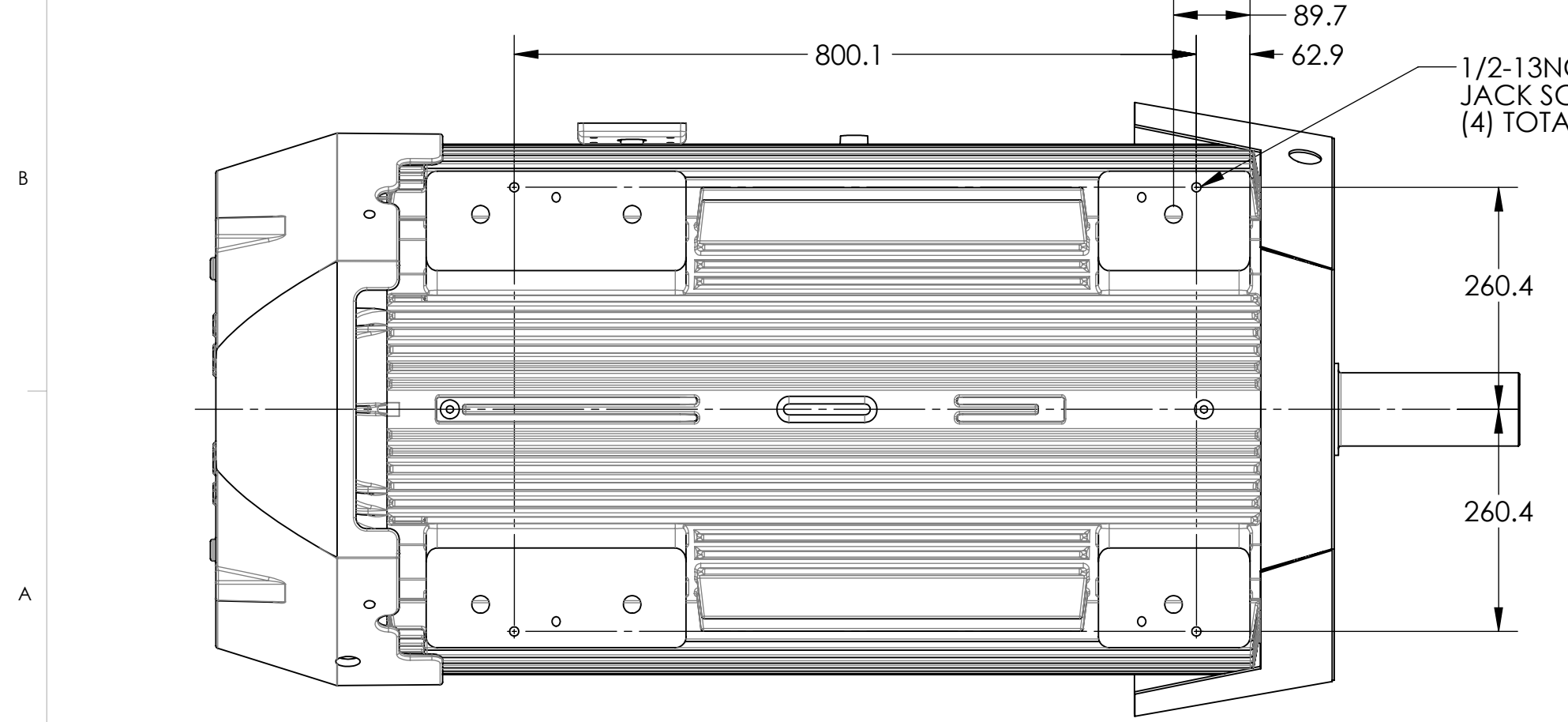
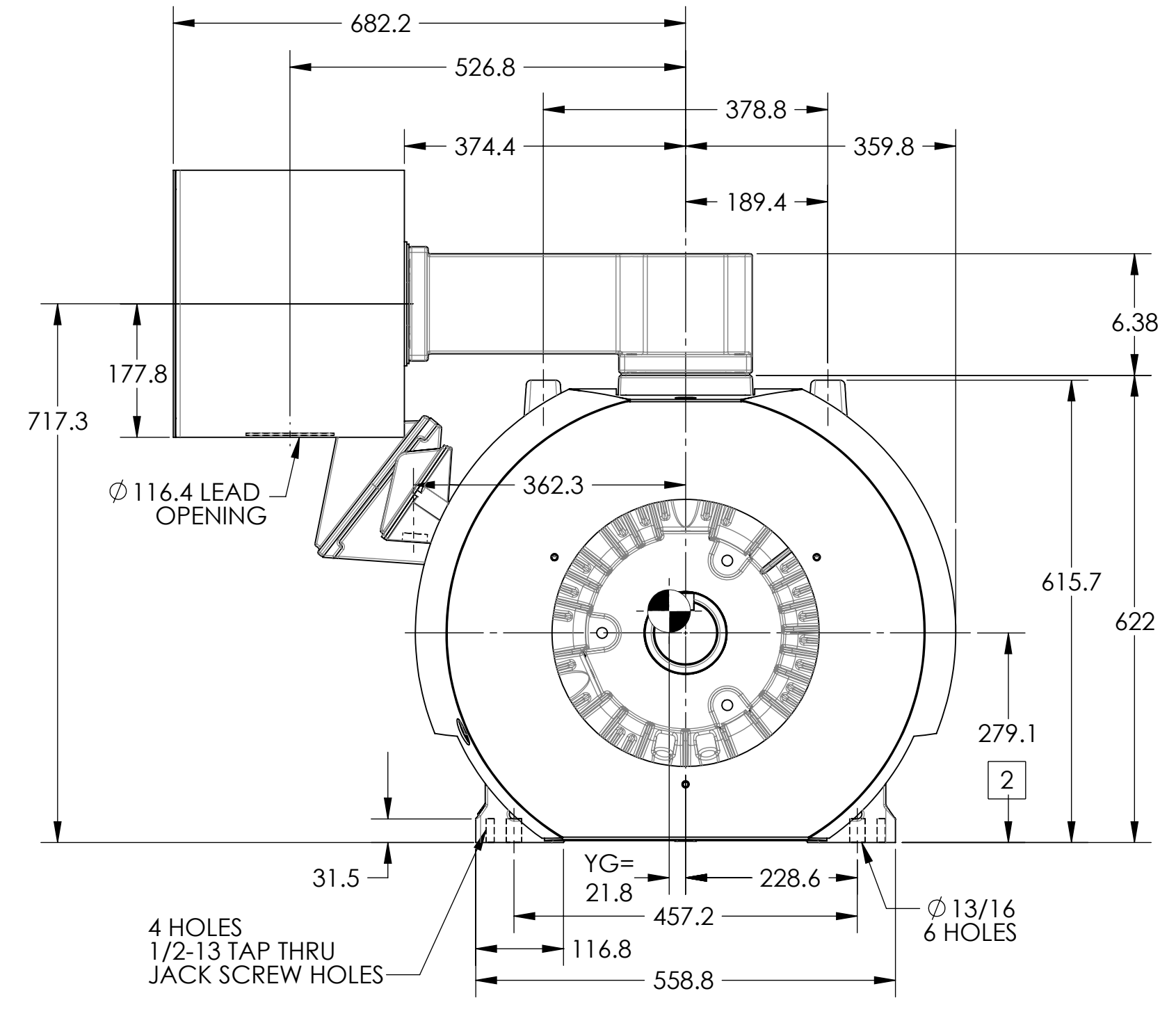
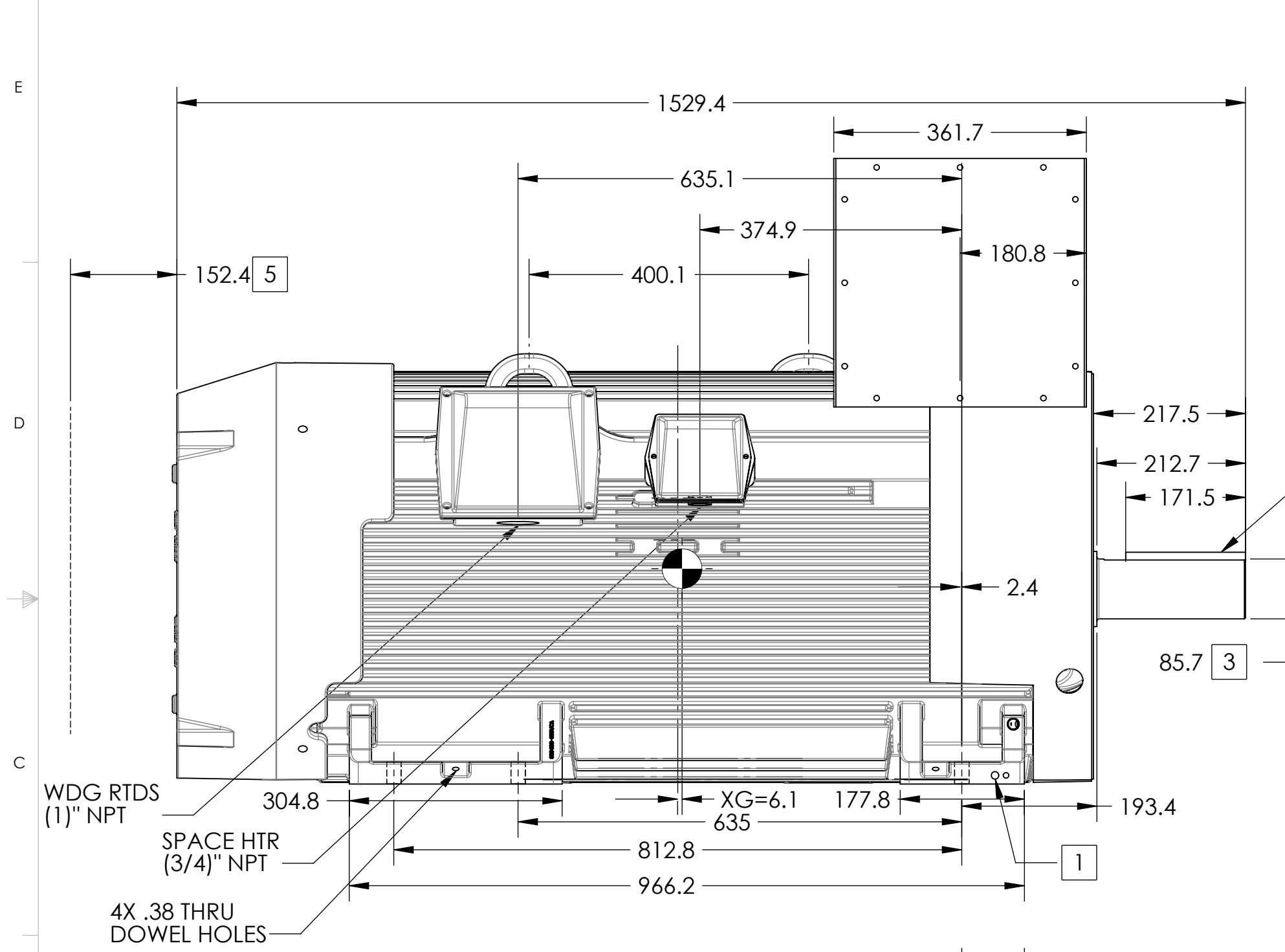
ENCLOSURE: TOTALLY ENCLOSED

FRAME GL449T ABOVE NEMA RATINGS

COOLING: FAN COOLED

MOUNTING: FOOT

INCLUDES DOWEL PIN HOLES, VERTICAL JACK SCREW HOLES, F1 AUX BOXES FOR WDG RTD & SPACE HEATERS AND 14X14X12 FABRICATED MAIN CBOX



- 1. GROUND HOLES QTY 1 1/2-13 TAP; QTY 1 3/8-16 TAP
- 2. VARIES +.00,-1.5
- 3. VARIES +.000,-.025
- 4. MOTOR WEIGHTS MAY VARY BY 15% DEPENDING ON RATING.
- 5. OBSTRUCTION MUST NOT ENCROACH ON AIR INLET

CONDUIT BOX LOCATED ON OPPOSITE SIDE WHEN F-2. IF MOUNTING CLEARANCE DETAILS ARE REQUIRED, CONSULT FACTORY. MAXIMUM PERMISSIBLE SHAFT RUNOUT WHEN MEASURED AT END OF STANDARD SHAFT EXTENSION IS .076MM T.I.R. TO 127MM DIA.

WEIGHT (N): 17800

DIMENSIONS ARE IN MM, SEE SHEET 1 FOR DIMENSIONS IN INCHES

CUSTOMER IS RESPONSIBLE FOR DETERMINING THAT MOTOR PERFORMANCE IS SUITABLE IN THE APPLICATION.

REV. DESC: ADD COG TO DRAWING	REV: A	VERSION: 01	REVISED: 01:40:05 08/31/2015	TDR: 000000941807
MODEL NO. 617423-169	BY: RAGJSS1	Material:	REF:	

BALDOR

D/S GL449T W/ 14X14X12 CB, DOWEL, JACK SCREWS, 320 AUX, 180 AUX