

# DUTY MASTER ALTERNATING CURRENT MOTORS

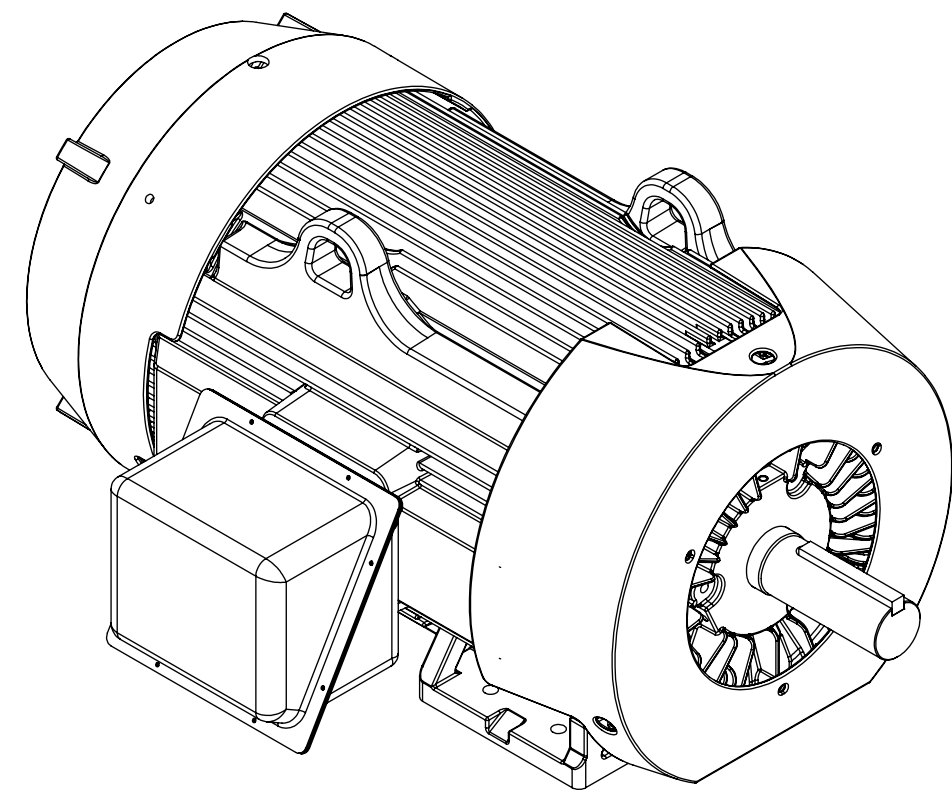
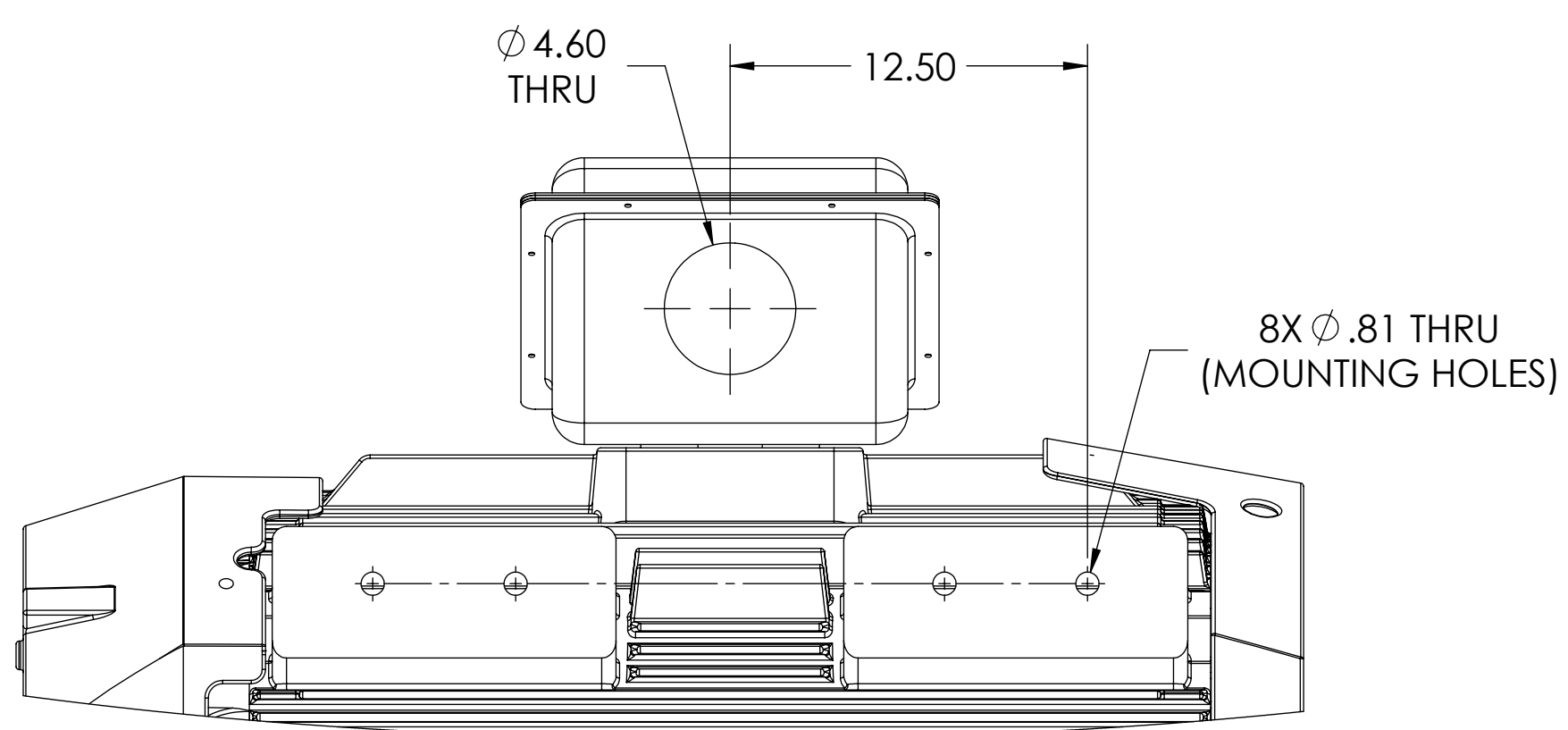
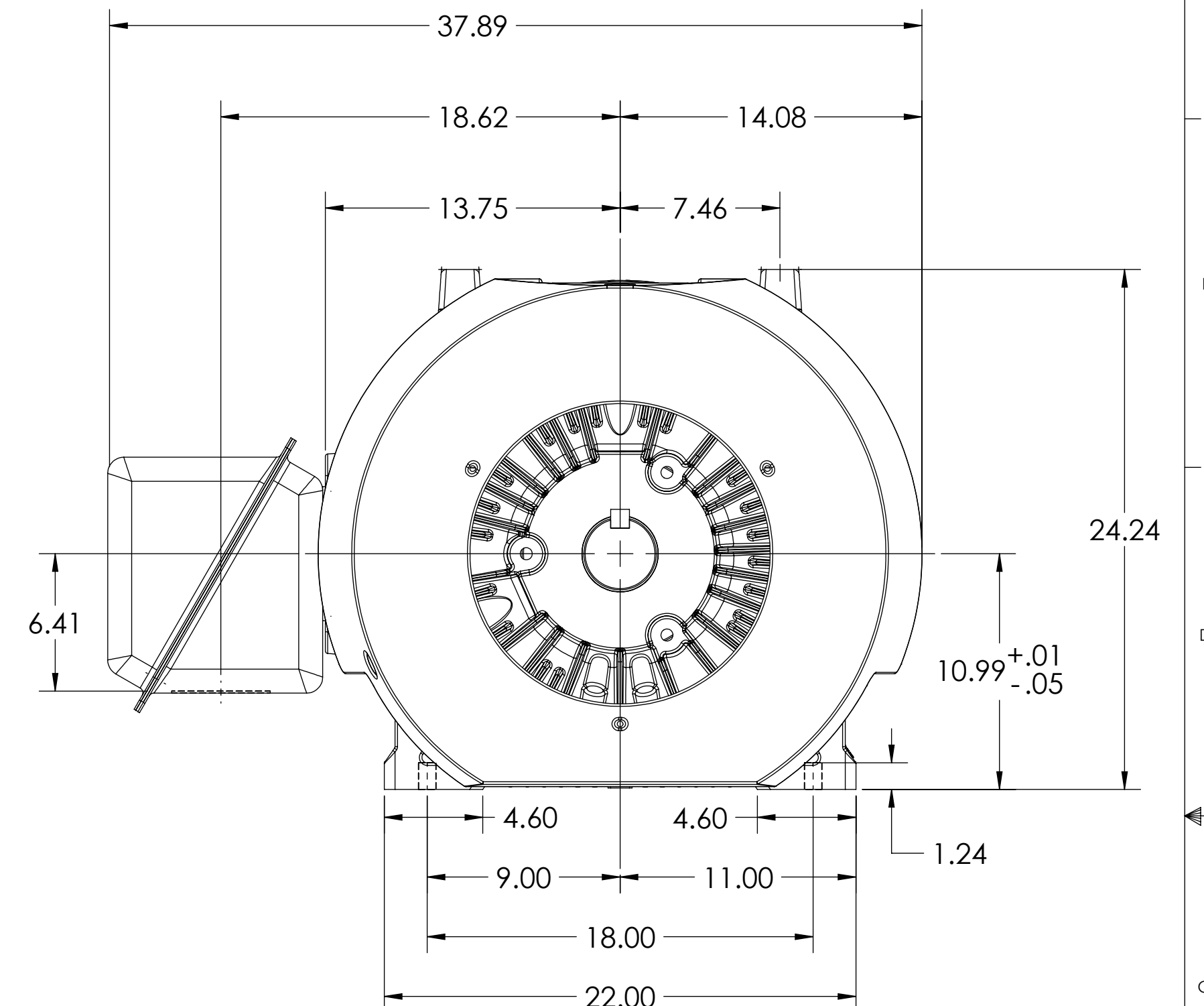
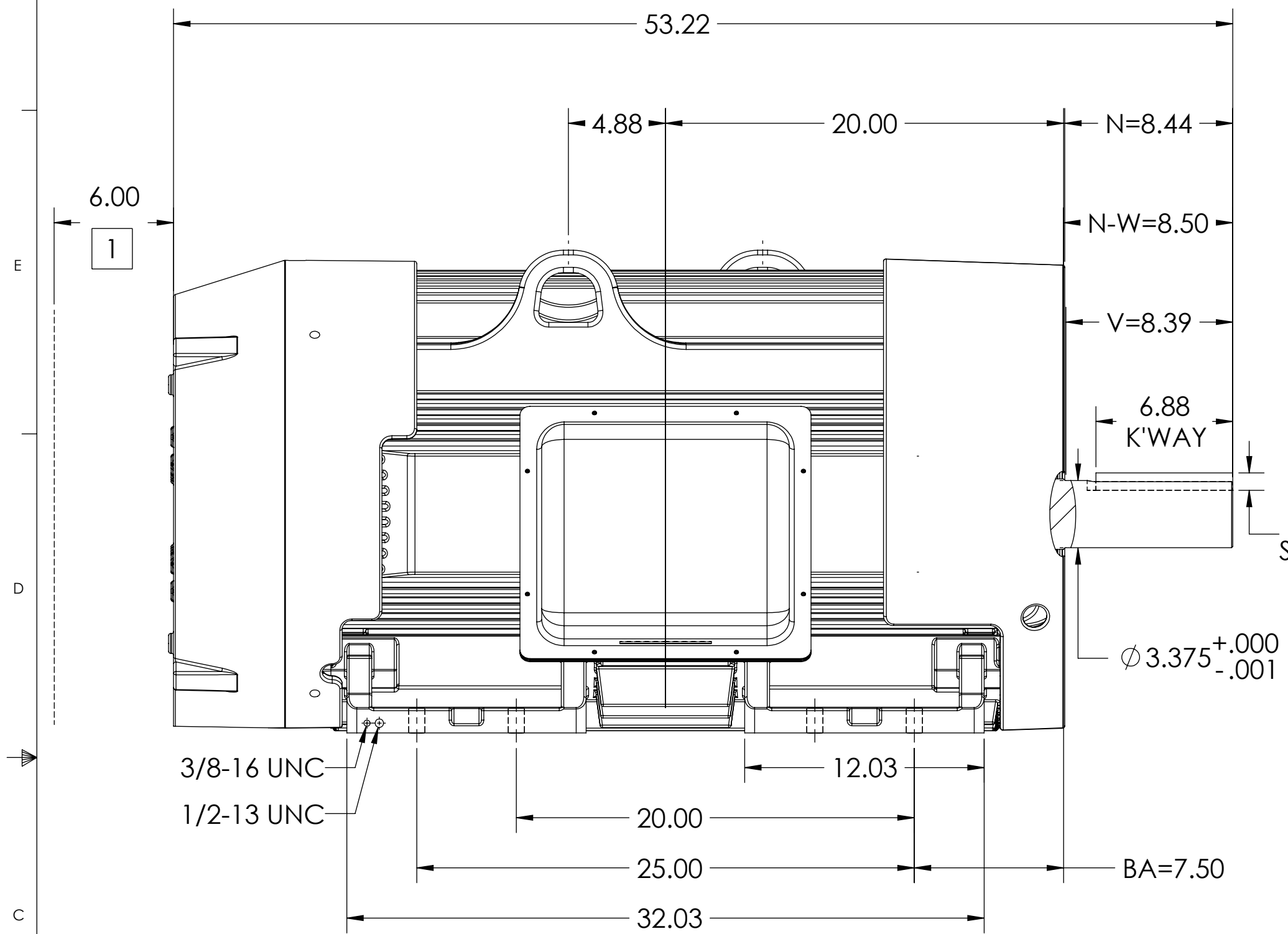
## SQUIRREL-CAGE INDUCTION

ENCLOSURE: TOTALLY ENCLOSED

MOUNTING: FOOT, F1

G449T/G447T FRAME MOUNTING HOLES

COOLING: FAN COOLED



1 OBSTRUCTION MUST NOT ENCROACH ON AIR INLET.

CONDUIT BOX LOCATED ON OPPOSITE SIDE WHEN F-2.  
IF MOUNTING CLEARANCE DETAILS ARE REQUIRED, CONSULT FACTORY.  
MAX PERMISSIBLE SHAFT RUNOUT WHEN MEASURED AT END OF STANDARD SHAFT EXTENSION IS .003" T.I.R.

DIMENSIONS ARE IN INCHES.  
WEIGHT (LBS): 3080, MOTOR WEIGHTS MAY VARY BY 15% DEPENDING ON RATING.  
CUSTOMER IS RESPONSIBLE FOR DETERMINING THAT MOTOR PERFORMANCE IS SUITABLE IN THE APPLICATION.

REV. DESC: UPDATE DS QUALITY			
REV: A	VERSION: 01	REVISED: 10:53:47 07/27/2017	TDR: 000001037141
MODEL NO. 617427-209			
BY: USJEDIL			

### BALDOR

G449/447T TEFC F1 FOOT SIDE/CENTER STEEL CONDUIT BOX

SHEET NUMBER  
1 OF 1  
617427-209

617427-209