

DUTY MASTER ALTERNATING CURRENT MOTORS

SQUIRREL-CAGE INDUCTION

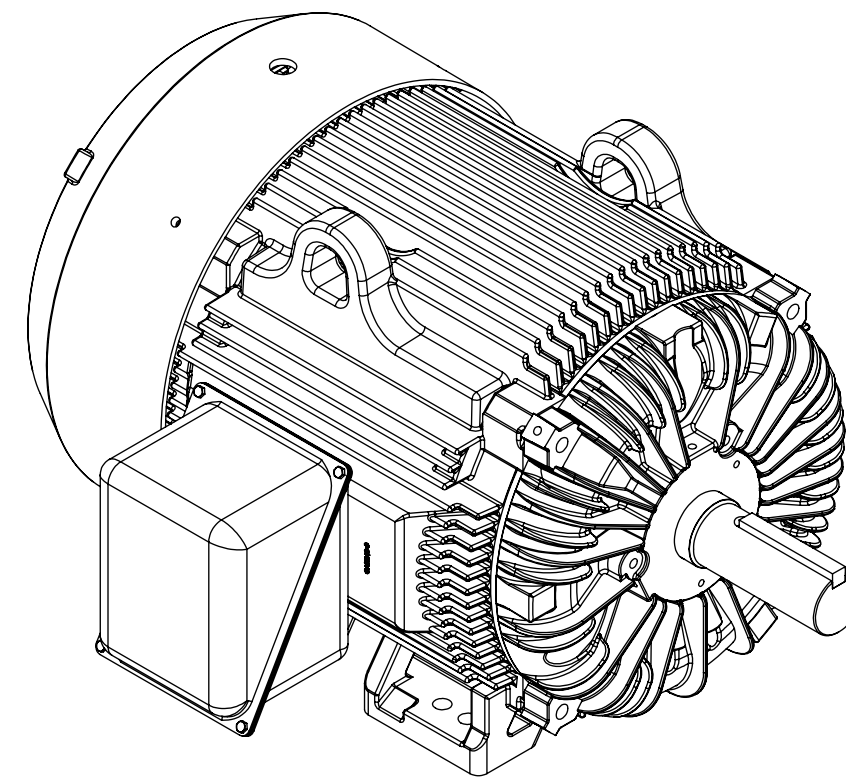
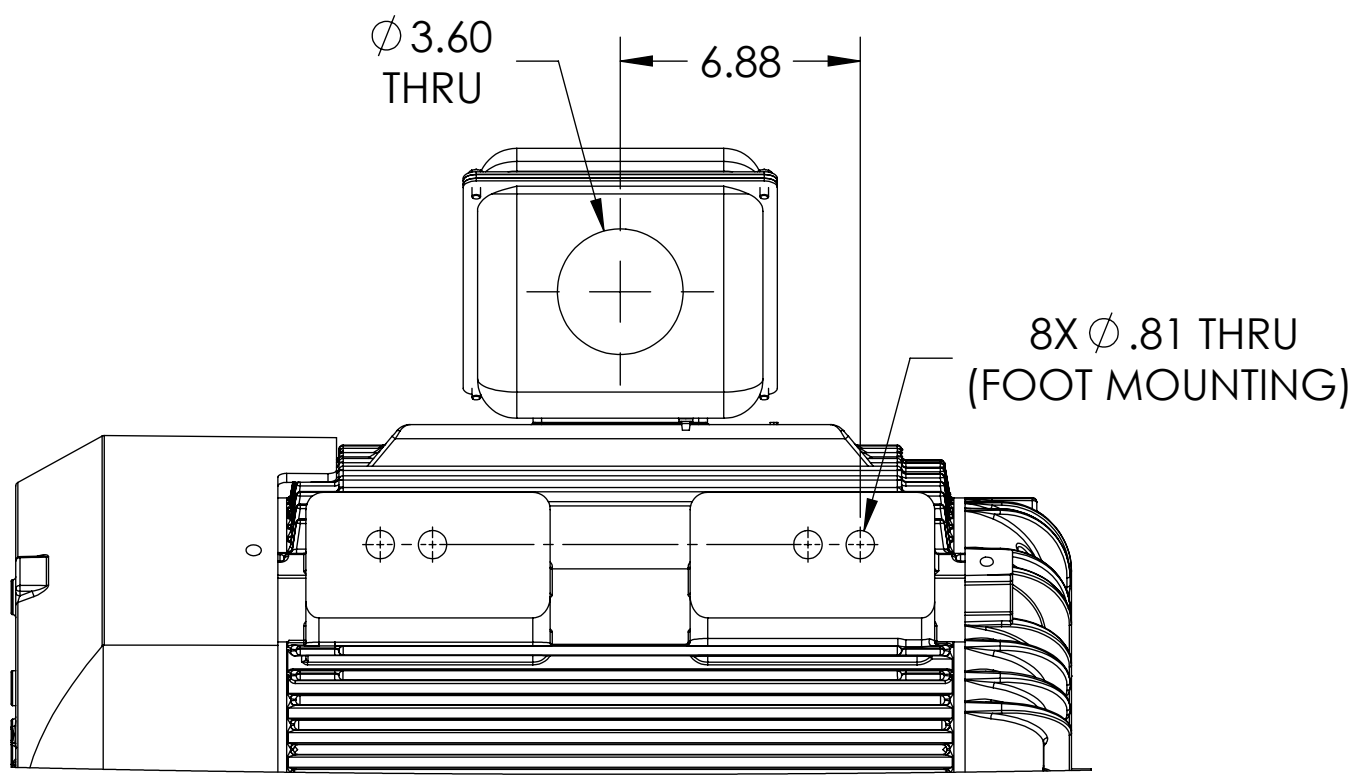
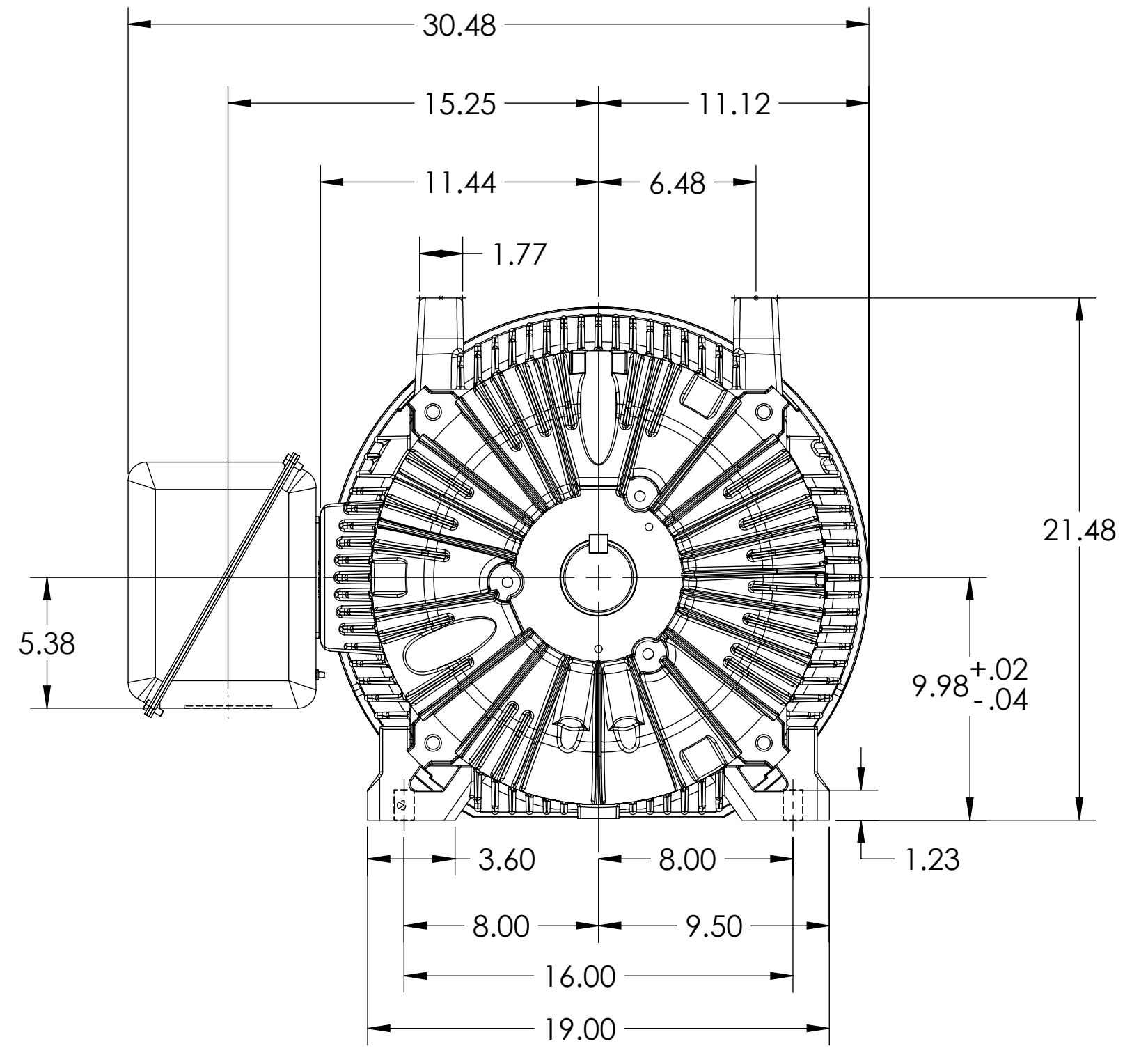
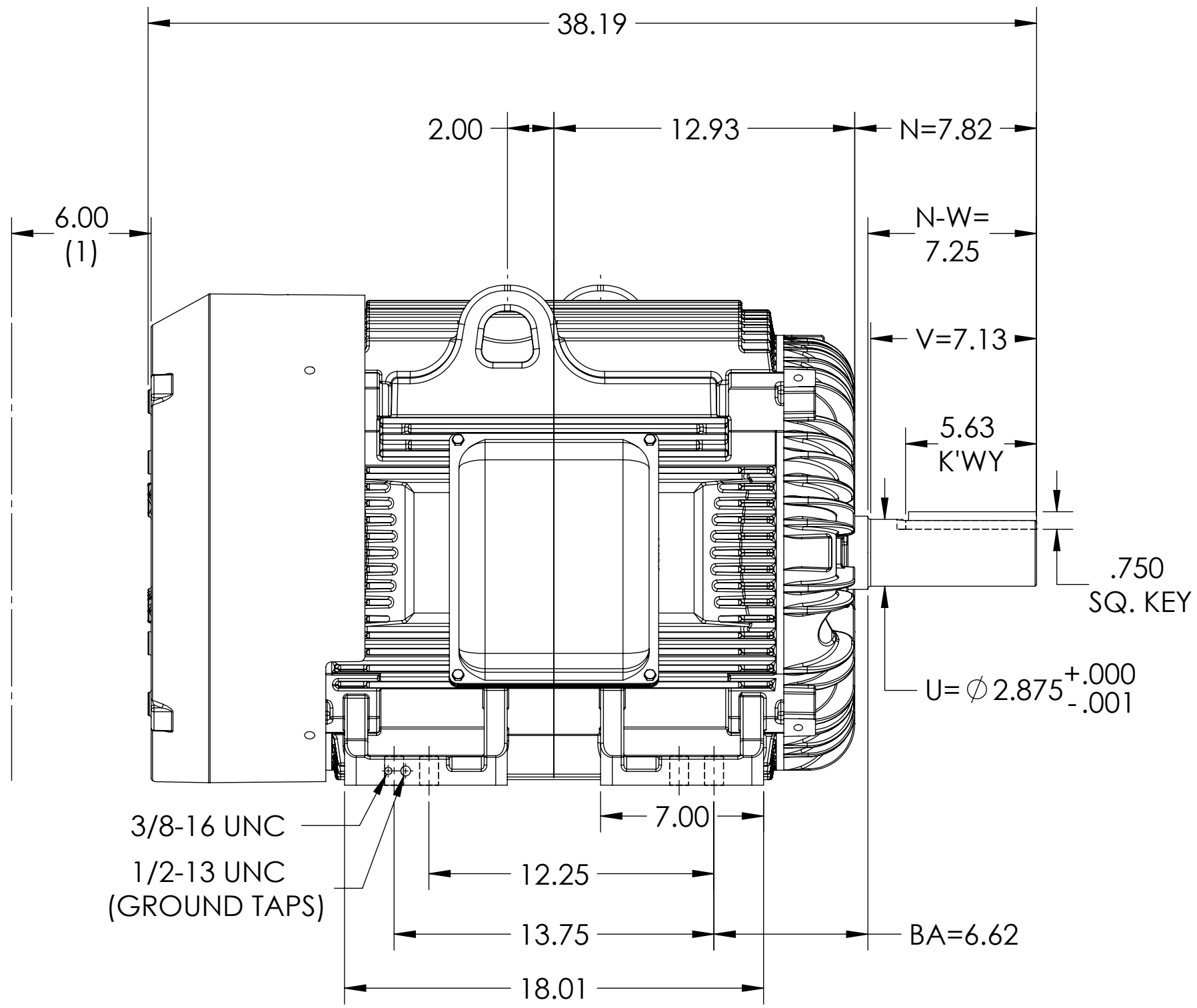
ENCLOSURE: TOTALLY ENCLOSED

MOUNTING: FOOT, F1

G405T/G404T FRAME MOUNTING HOLES

COOLING: FAN COOLED

STEEL CONDUIT BOX



(1) OBSTRUCTION MUST NOT ENCROACH ON AIR INLET.

IF MOUNTING CLEARANCE DETAILS ARE REQUIRED, CONSULT FACTORY.

MAX PERMISSIBLE SHAFT RUNOUT WHEN MEASURED AT END OF STANDARD SHAFT EXTENSION IS .003" T.I.R.

DIMENSIONS ARE IN INCHES.
MOTOR WEIGHT: 1350 LBS, MAY VARY BY 15% DEPENDING ON RATING.
CUSTOMER IS RESPONSIBLE FOR DETERMINING THAT MOTOR PERFORMANCE IS SUITABLE IN THE APPLICATION.

REV. DESC: UPDATE DS QUALITY			
REV: C	VERSION: 03	REVISED: 03:36:27 09/22/2017	TDR: 000001043378
MODEL NO. 617429-001		REF:	
BY: USJEDIL	Material:	C	

BALDOR

G405T/404T STD TEFC F1 FOOTED STEEL CONDUIT BOX

DUTY MASTER ALTERNATING CURRENT MOTORS

SQUIRREL-CAGE INDUCTION

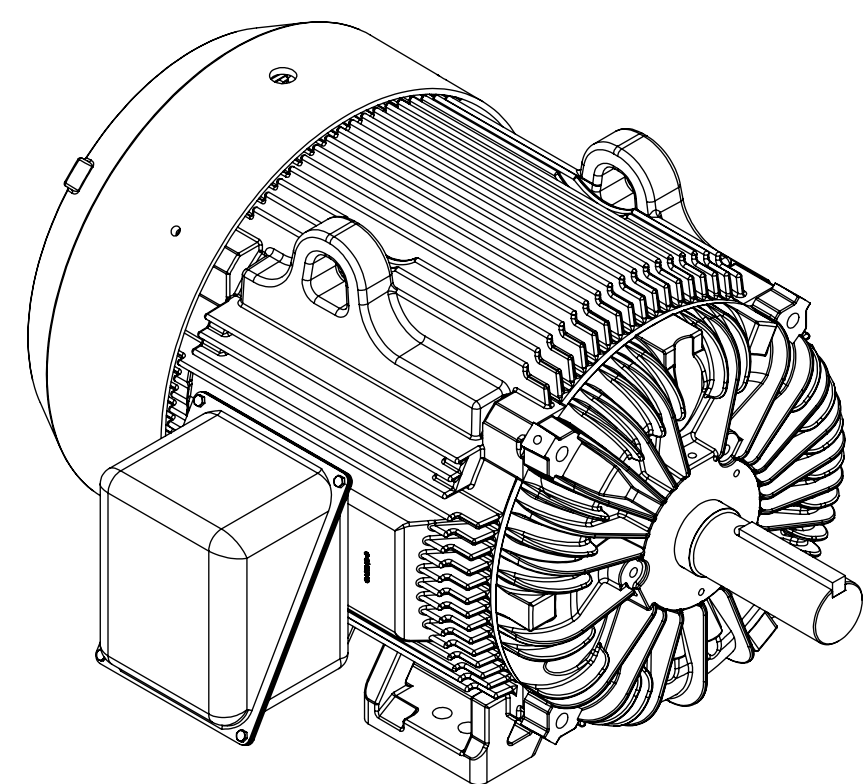
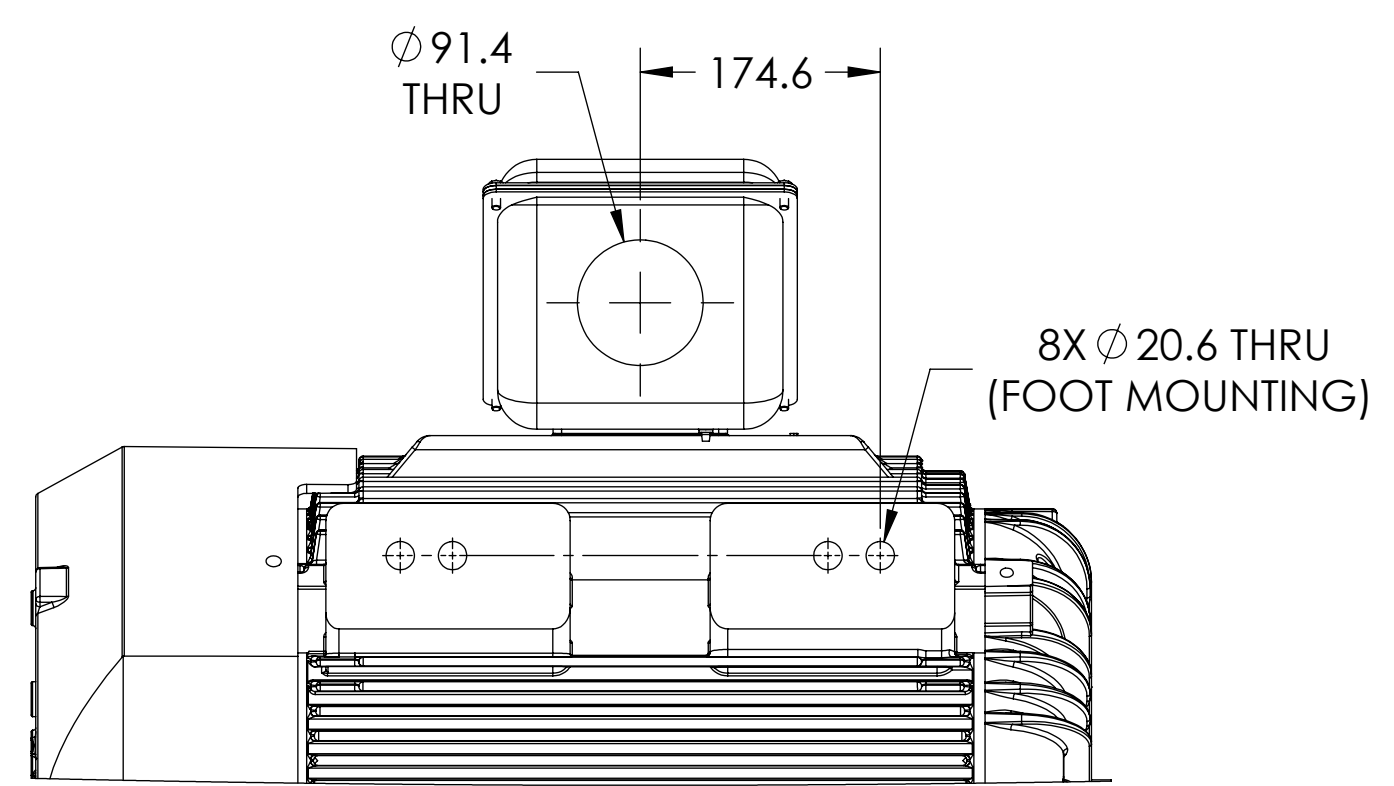
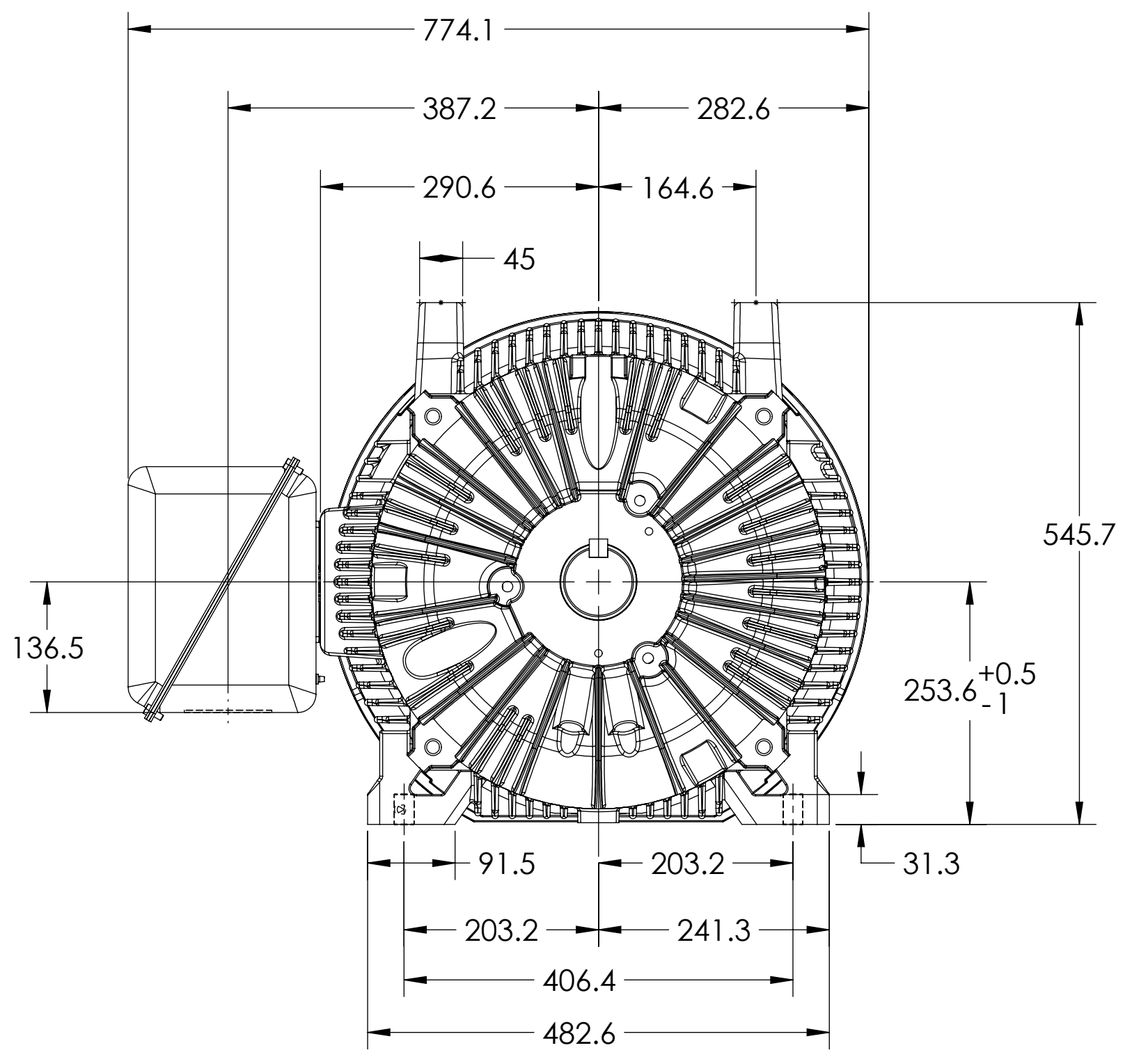
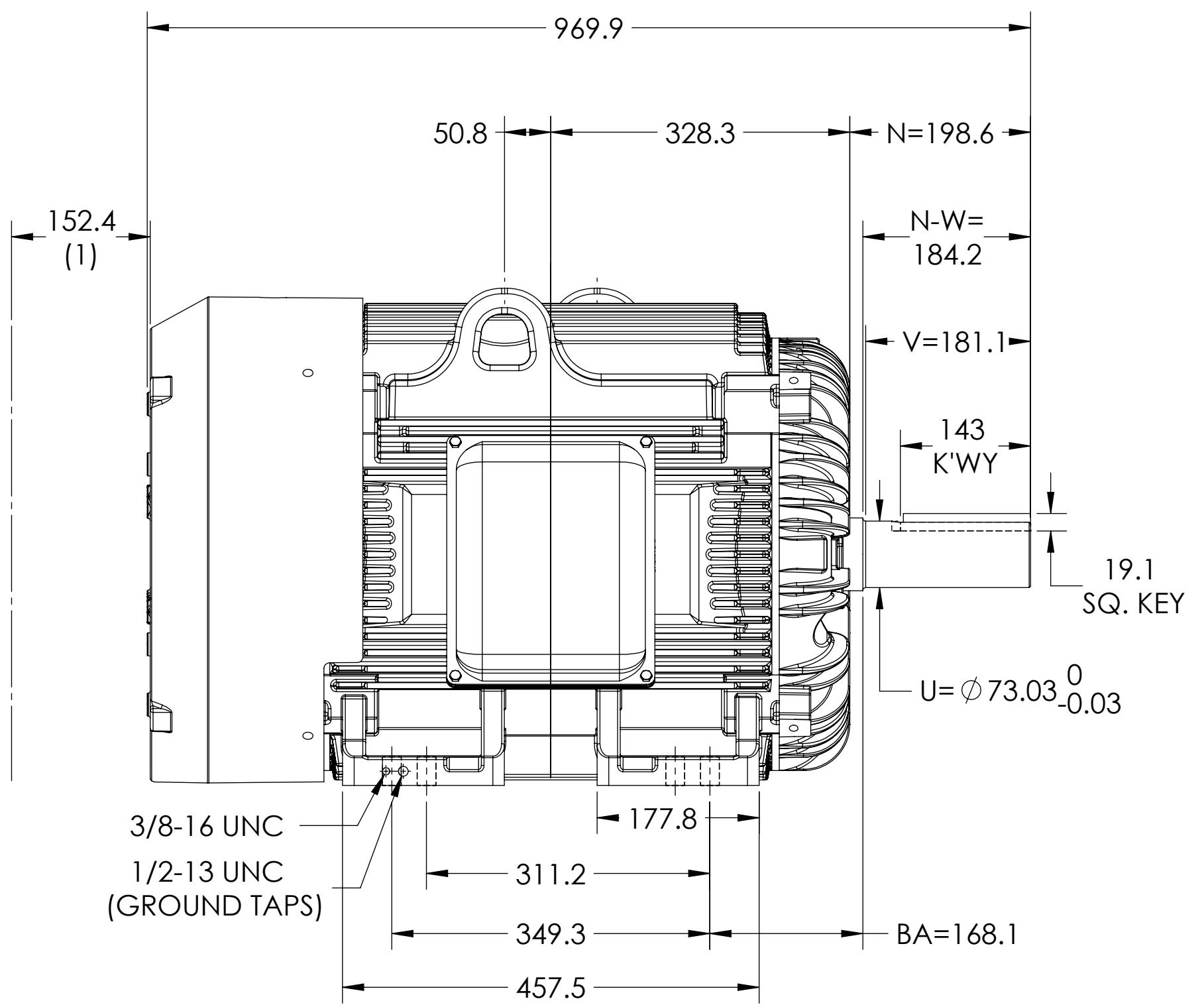
ENCLOSURE: TOTALLY ENCLOSED

MOUNTING: FOOT, F1

G405T/G404T FRAME MOUNTING HOLES

COOLING: FAN COOLED

STEEL CONDUIT BOX



(1) OBSTRUCTION MUST NOT ENCROACH ON AIR INLET.

IF MOUNTING CLEARANCE DETAILS ARE REQUIRED, CONSULT FACTORY.

MAX PERMISSIBLE SHAFT RUNOUT WHEN MEASURED AT END OF STANDARD SHAFT EXTENSION IS .08 T.I.R.

DIMENSIONS ARE IN MILLIMETERS.
MOTOR WEIGHT: 612, MAY VARY BY 15% DEPENDING ON RATING.
CUSTOMER IS RESPONSIBLE FOR DETERMINING THAT MOTOR PERFORMANCE IS SUITABLE IN THE APPLICATION.

REV. DESC: UPDATE DS QUALITY			
REV: C	VERSION: 03	REVISED: 03:36:27 09/22/2017	TDR: 000001043378
MODEL NO. 617429-001		REF:	
BY: USJEDIL	Material:	C	

BALDOR

G405T/404T STD TEFC F1 FOOTED STEEL CONDUIT BOX