

# DUTY MASTER ALTERNATING CURRENT MOTORS

SQUIRREL-CAGE INDUCTION  
CAST IRON CONSTRUCTION

ENCLOSURE: TOTALLY ENCLOSED  
MOUNTING: FOOT

FRAMES 364TS-365TS

COOLING: FAN COOLED

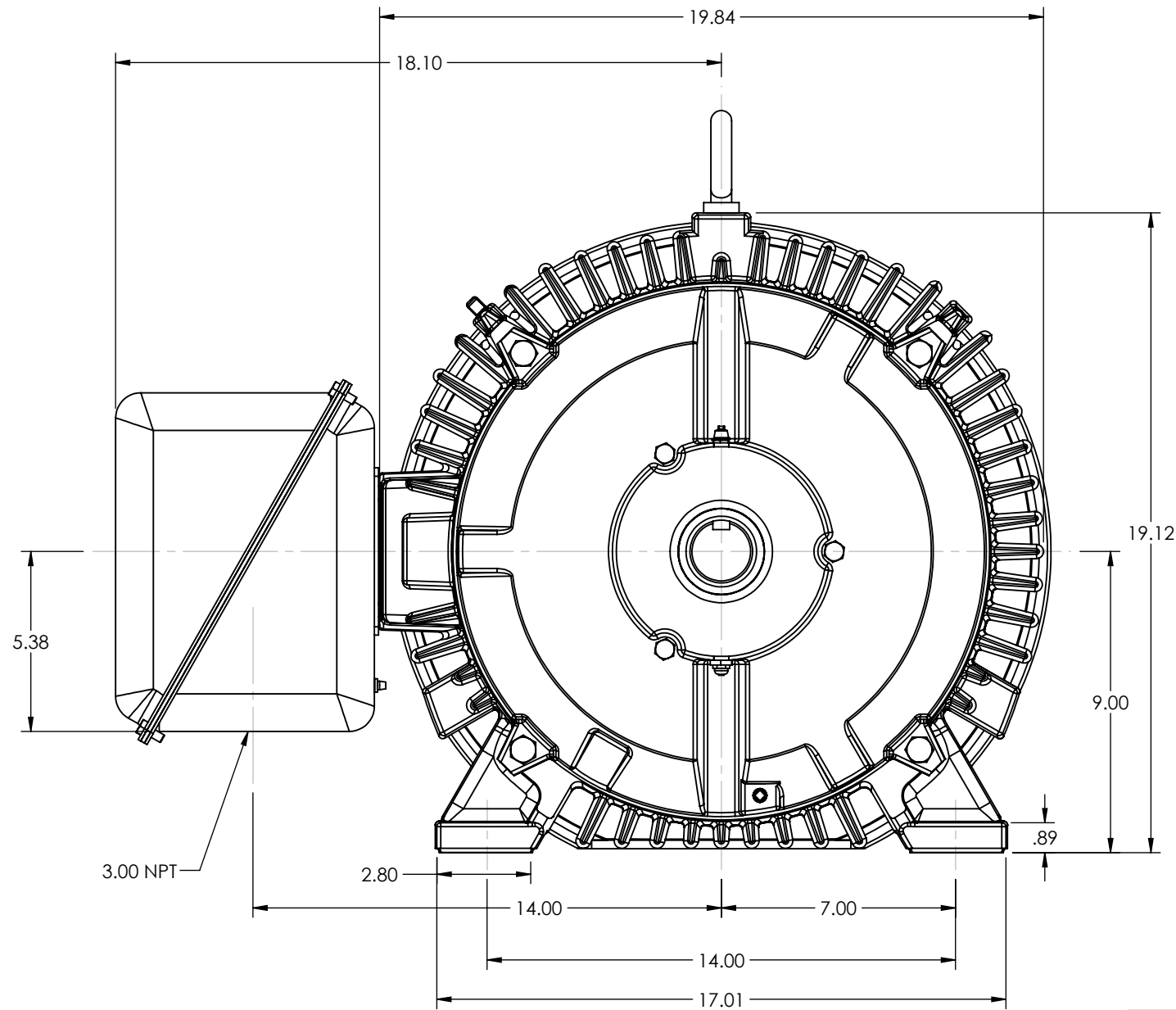
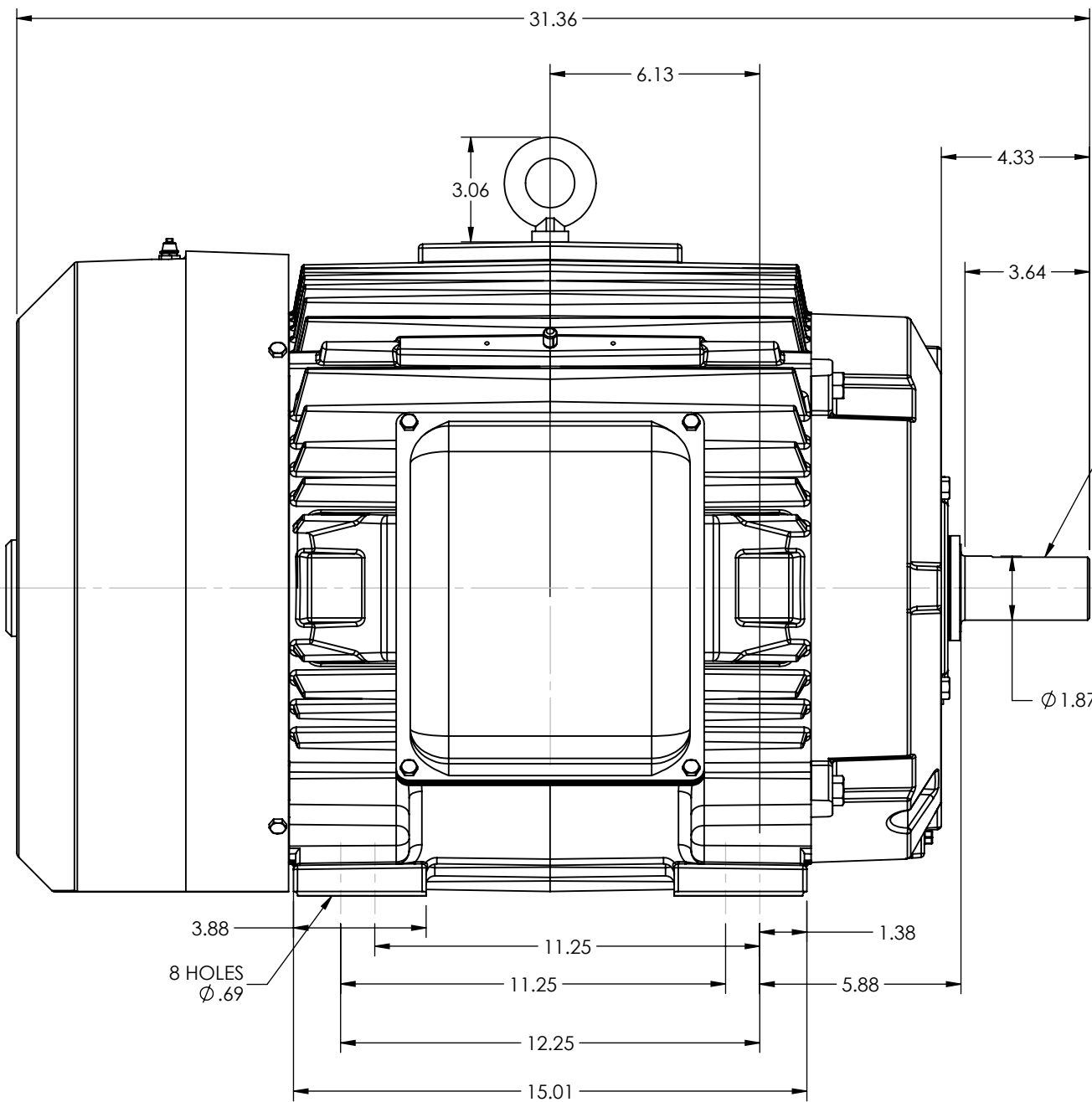
617428-076

D

C

B

A



D

C

B

A

CUSTOMER IS RESPONSIBLE FOR DETERMINING THAT BALDOR'S PRODUCT WILL PERFORM SUITABLY IN THE INTENDED APPLICATION

WEIGHT (LBS): 364TS = 794  
365TS = 834  
MOTOR WEIGHTS MAY VARY BY 15% DEPENDING UPON RATING.

REV. DESC: LOAD			
REV: -	VERSION: 00	REVISED: 01:14:12 01/26/2015	TDR: 000000889466
MODEL NO. 617428-076			REF:
BY: ENALEM0			<b>B</b>

**BALDOR**

HOR 364-5TS TEFC

617428-076

8

7

6

5

4

3

2

1