

DUTY MASTER ALTERNATING CURRENT MOTORS

SQUIRREL-CAGE INDUCTION
CAST IRON CONSTRUCTION

ENCLOSURE: TOTALLY ENCLOSED
MOUNTING: FOOT

FRAMES 364TS-365TS

COOLING: FAN COOLED

617428-013

D

D

C

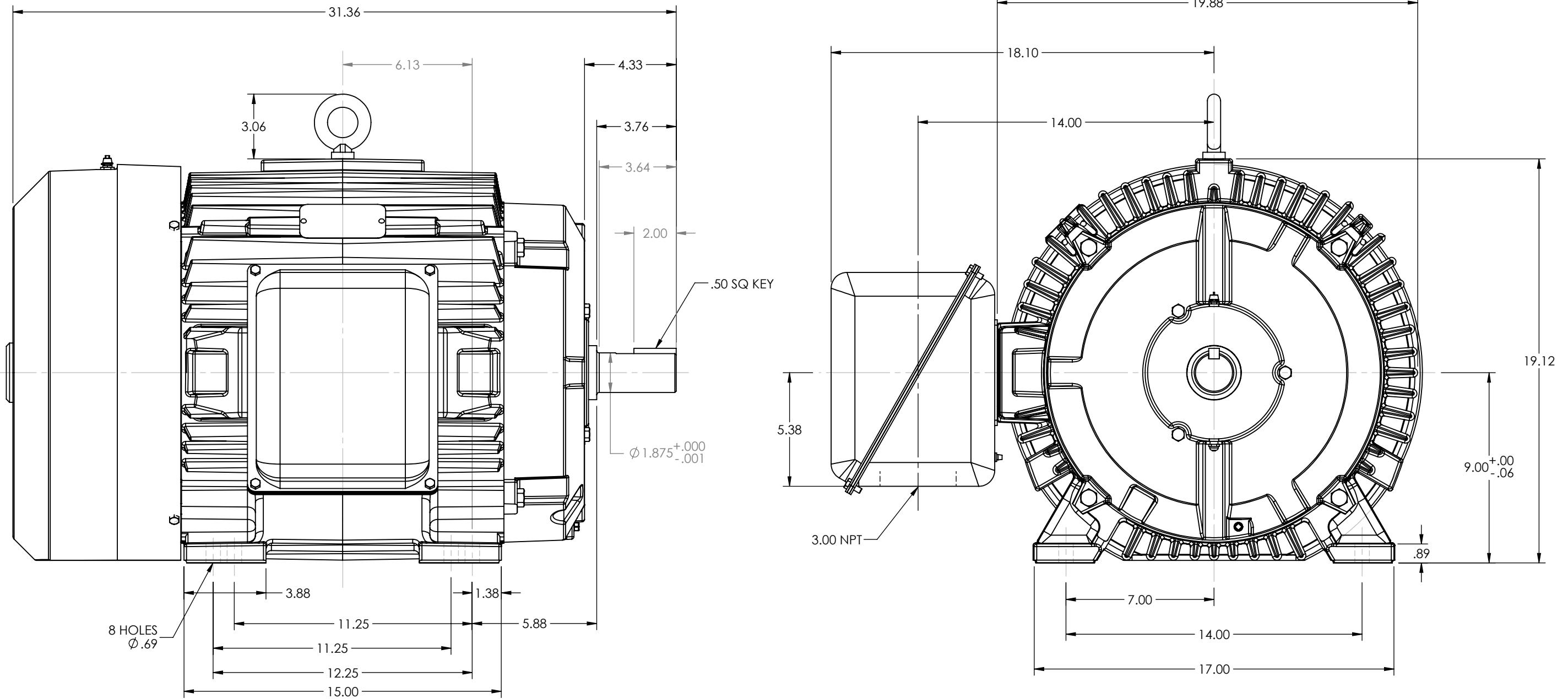
C

B

B

A

A



MAXIMUM PERMISSIBLE SHAFT RUNOUT WHEN MEASURED AT END OF STD. SHAFT EXTENSION IS .002 T.I.R. UP TO AND INCLUDING 1.625 DIA. AND .003 T.I.R. 1.625 DIA. TO 5 INCH DIA.

WEIGHT (LBS): 364T = 794
365T = 834

MOTOR WEIGHTS MAY VARY BY 15% DEPENDING UPON RATING.

CUSTOMER IS RESPONSIBLE FOR DETERMINING THAT BALDOR'S PRODUCT WILL PERFORM SUITABLY IN THE INTENDED APPLICATION

REV. DESC: UPDATING SHAFT AND CORRECTING BA DIMENSION			
REV: A	VERSION: 01	REVISED: 10:55:43 03/28/2014	TDR: 00000846122
MODEL NO. 617428-013		REF:	
BY: RAGJSS1		B	

BALDOR

DIM SHT TEFC 364-365TS FT MTG W/GRSR AND RELIEF

617428-013

8 7 6 5 4 3 2 1