

DUTY MASTER ALTERNATING CURRENT MOTORS

SQUIRREL-CAGE INDUCTION
CAST IRON CONSTRUCTION

ENCLOSURE: TOTALLY ENCLOSED
MOUNTING: FOOT

FRAMES 364TS-365TS

COOLING: FAN COOLED

617428-025

D

D

C

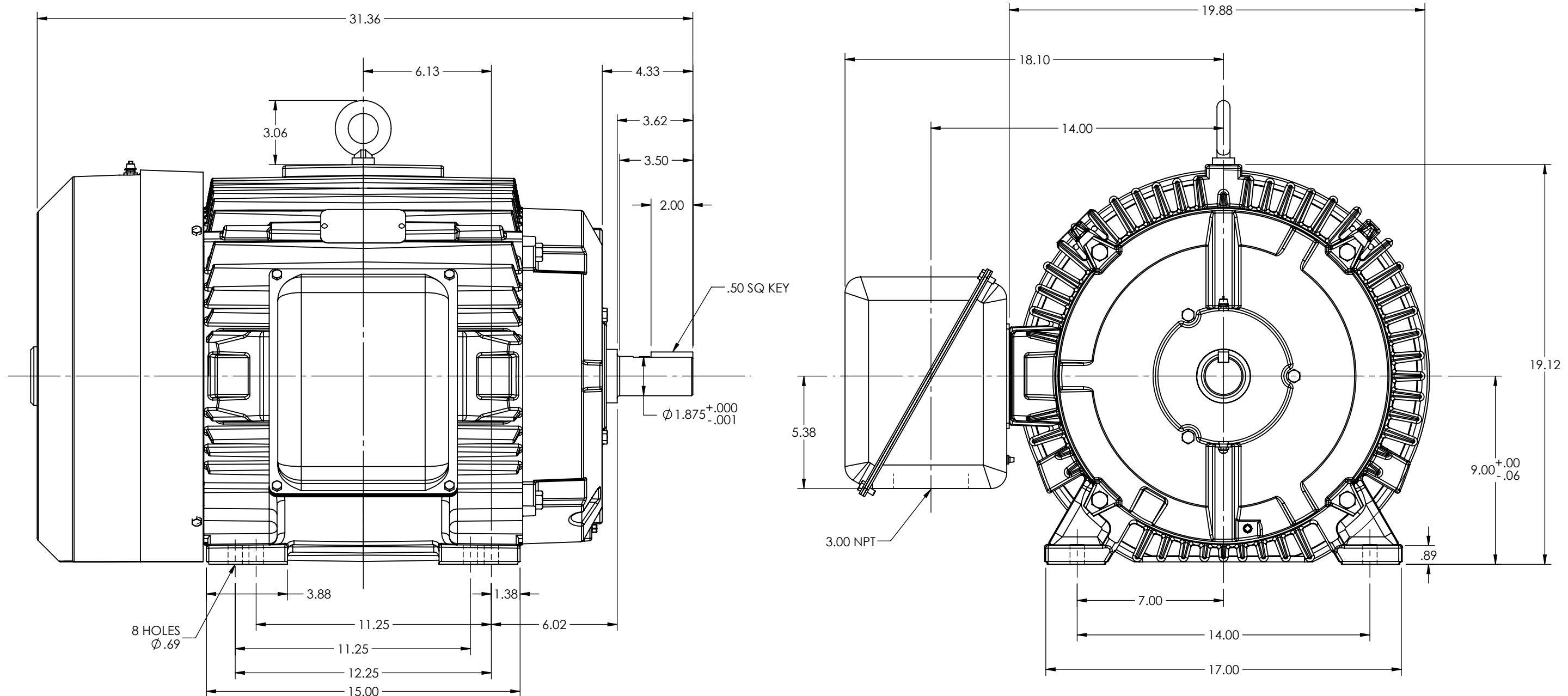
C

B

B

A

A



MAXIMUM PERMISSIBLE SHAFT RUNOUT WHEN MEASURED
AT END OF STD. SHAFT EXTENSION IS .002 T.I.R. UP TO
AND INCLUDING 1.625 DIA. AND .003 T.I.R. 1.625 DIA.
TO 5 INCH DIA.

WEIGHT (LBS): 364T = 794
365T = 834

MOTOR WEIGHTS MAY VARY BY 15% DEPENDING UPON RATING.

CUSTOMER IS RESPONSIBLE FOR DETERMINING THAT BALDOR'S PRODUCT WILL PERFORM SUITABLY IN THE INTENDED APPLICATION

REV. DESC: NEW FROM 611740-001			
REV: -	VERSION: 00	REVISED: 04:07:26 07/19/2013	TDR: 000000808598
MODEL NO. 617428-025			REF:
BY: ENBUFC0			B

BALDOR

DIM SHT TEFC 364-365TS FT MTG W/SHAFT GROUND

617428-025

8 7 6 5 4 3 2 1