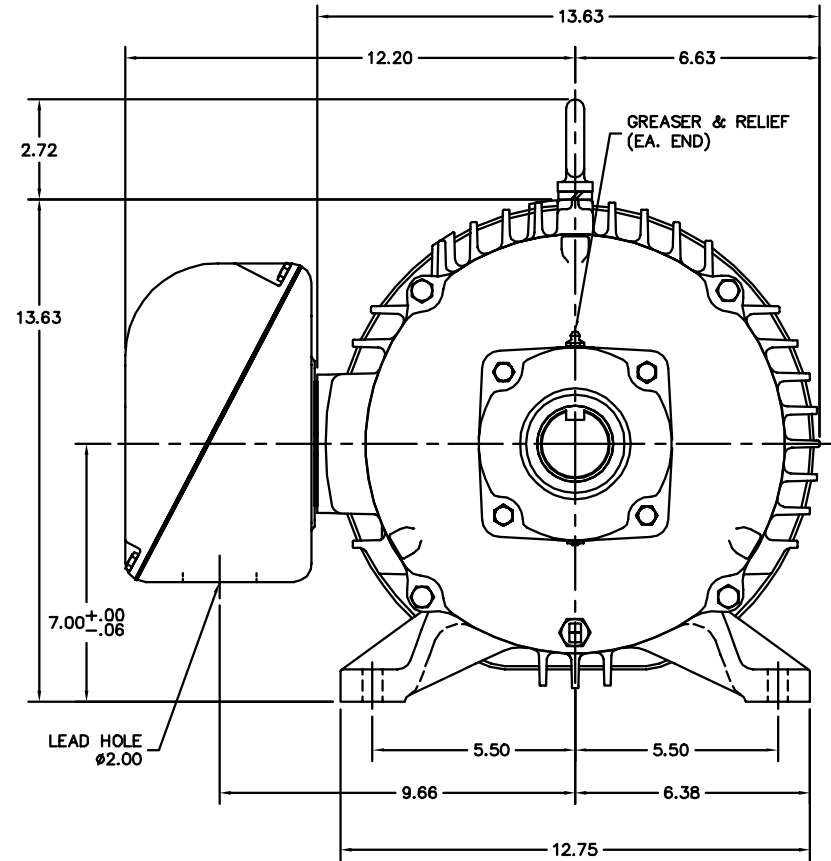
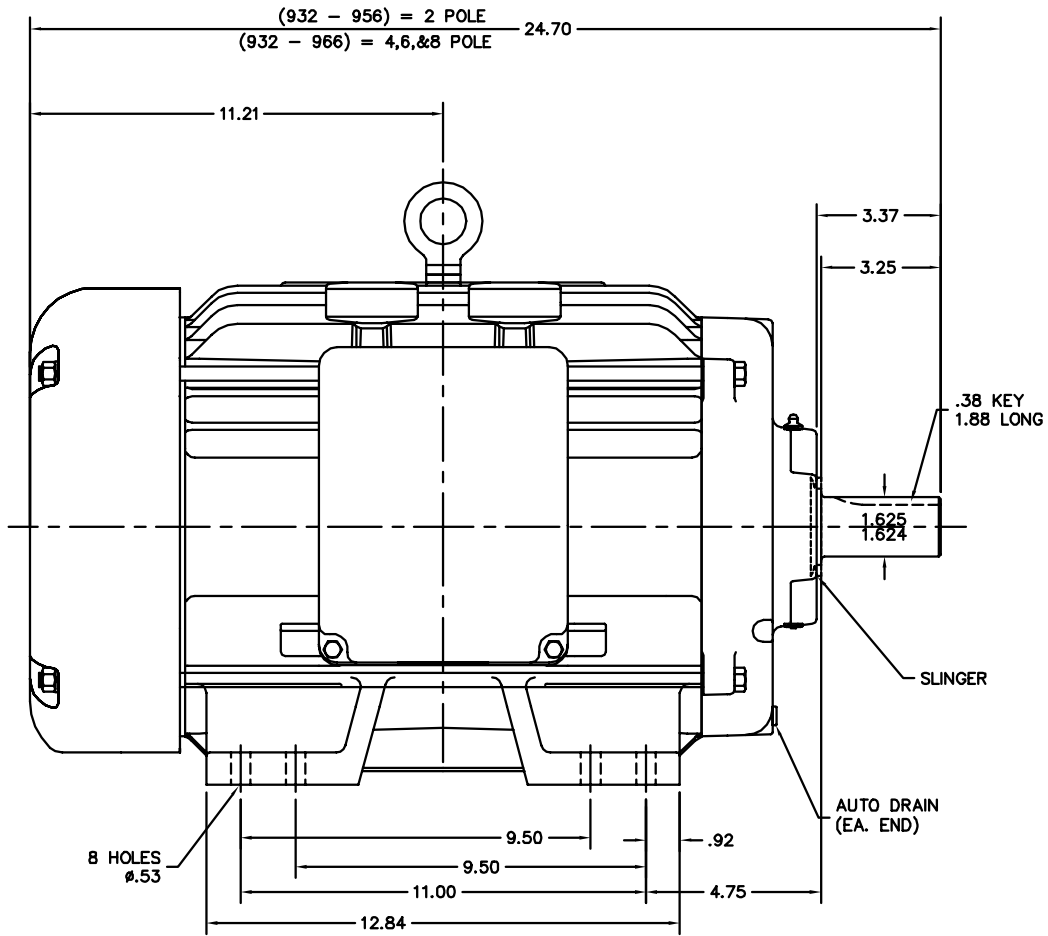


09LYF629



CUSTOMER IS RESPONSIBLE FOR DETERMINING THAT BALDOR'S PRODUCT WILL PERFORM SUITABLY IN THE INTENDED APPLICATION.

REV. DESC: REMOVE LOCKNUT		
REV. LTR: K	VERSION: 08	TDR: 000000954089
FILE: \AAA\00088\257	REVISED: 04:04:36 11/18/2015	BY: ENMARSO
MTL: -		

BALDOR

HORZ TEFC 284-6TS

SH 1 of 1

09LYF629