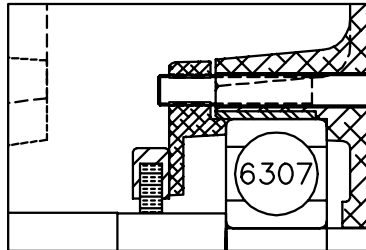
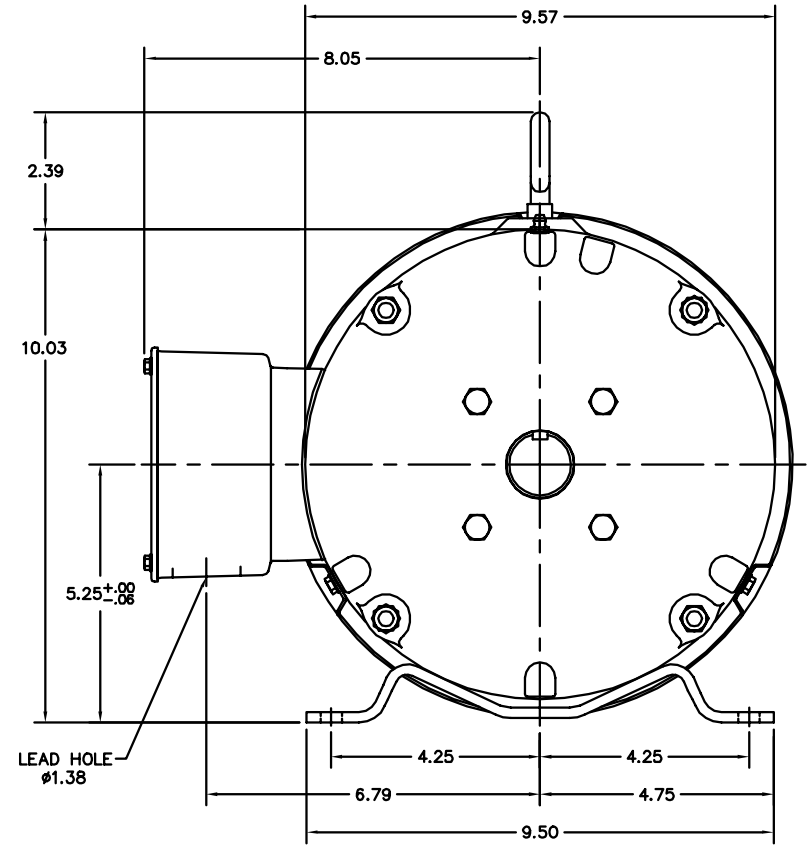
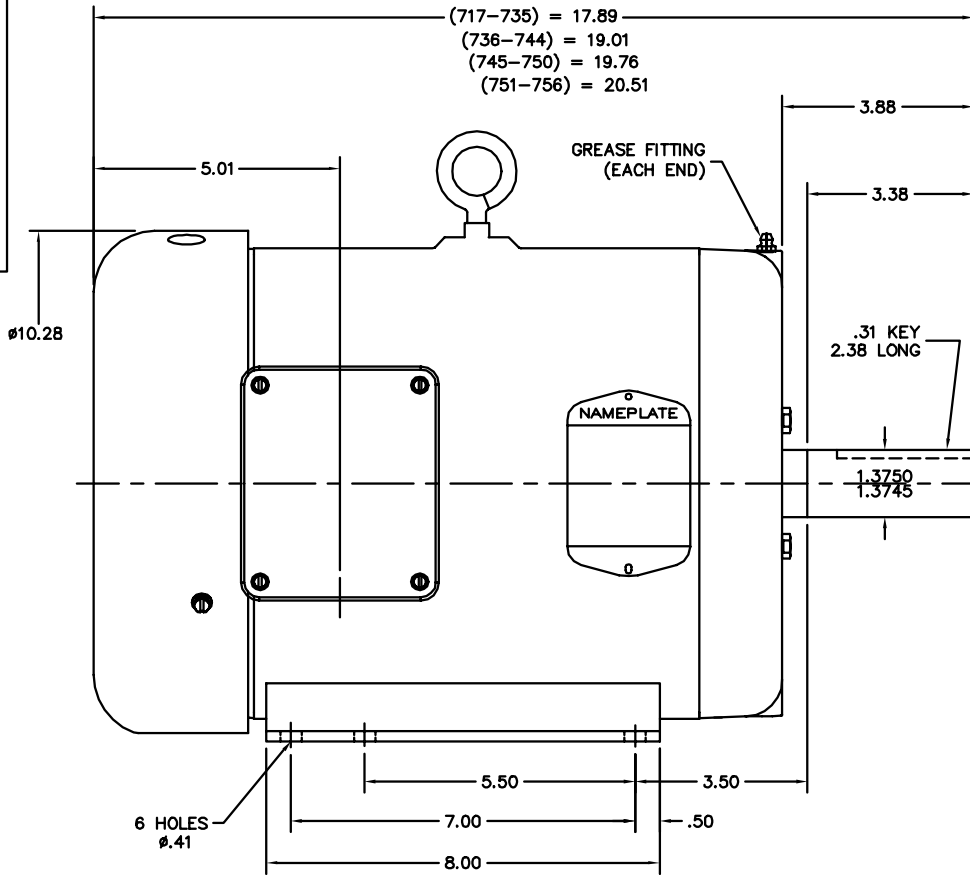


37LYJ838



PU END DETAIL

CUSTOMER IS RESPONSIBLE FOR DETERMINING THAT BALDOR'S PRODUCT WILL PERFORM SUITABLY IN THE INTENDED APPLICATION.

REV. DESC: ADD TWO MORE RETAINER BOLTS GRAPHICS		
REV. LTR: A	VERSION: 01	TDR: 000000925646
FILE: \AAA\00174\548	REVISED: 08:45:52 05/15/2015	BY: ENALEMO
MTL: -		

BALDOR

HOR 213-5T TEFC M, AEGIS INT SHAFT GND

SH 1 of 1

37LYJ838