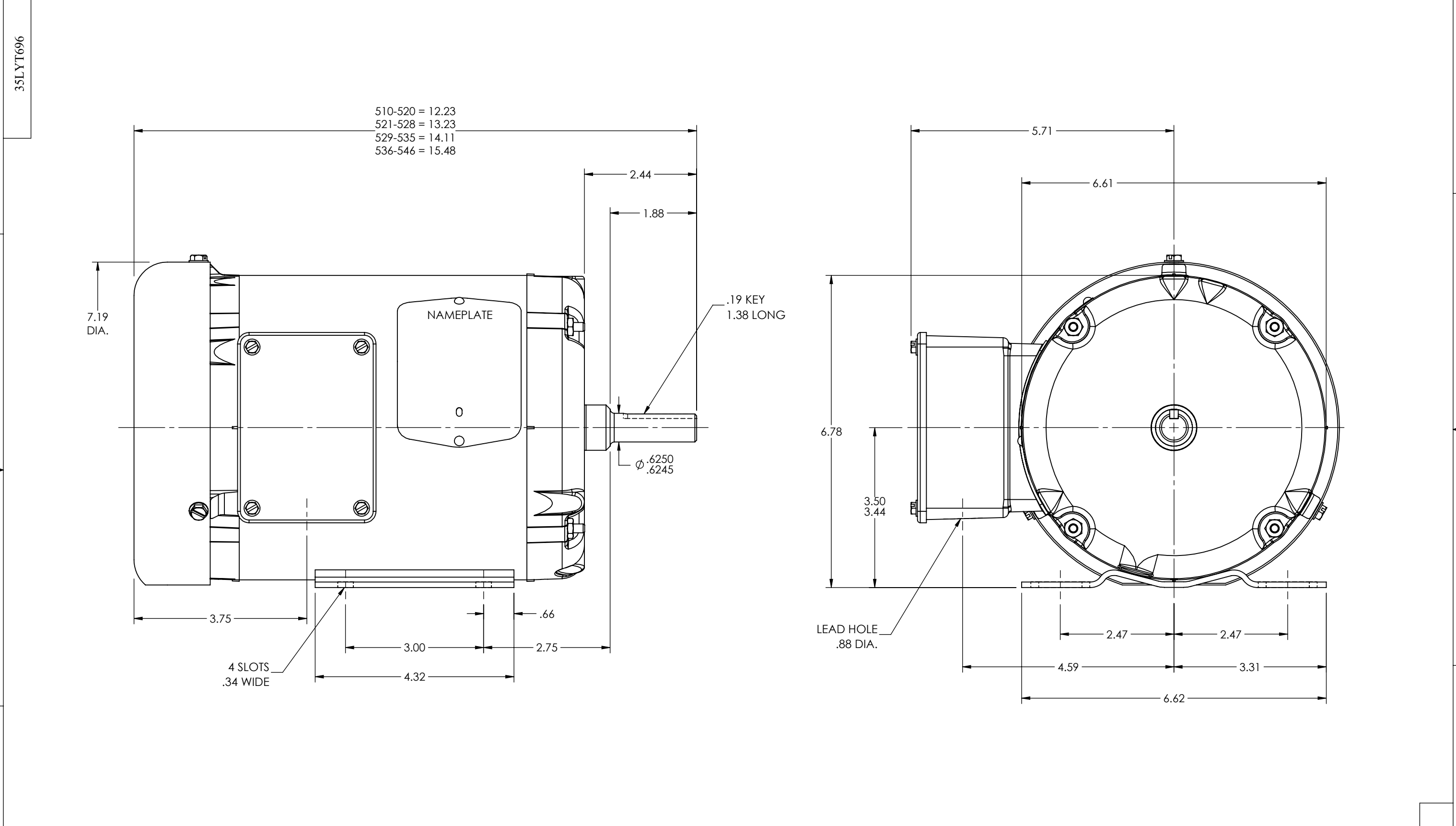


8 7 6 5 4 3 2 1



CUSTOMER IS RESPONSIBLE FOR DETERMINING THAT THE PRODUCT WILL PERFORM SUITABLY IN THE INTENDED APPLICATION

REV. DESC: LOADING OF SWD DWG FOR 2D TO 3D CONVERSION - PKG11			
REV: E	VERSION: 05	REVISED: 04:07:50 11/30/2018	TDR: 000001092572
MODEL NO. 35LYT696			REF: -
BY: ENSTEK0			B

BALDOR - RELIANCE®

STD HORZ 56 TEFC 35M 2P "W" BASE 35BA4010
 SH 1 of 1

A

35LYT696

8 7 6 5 4 3 2 1