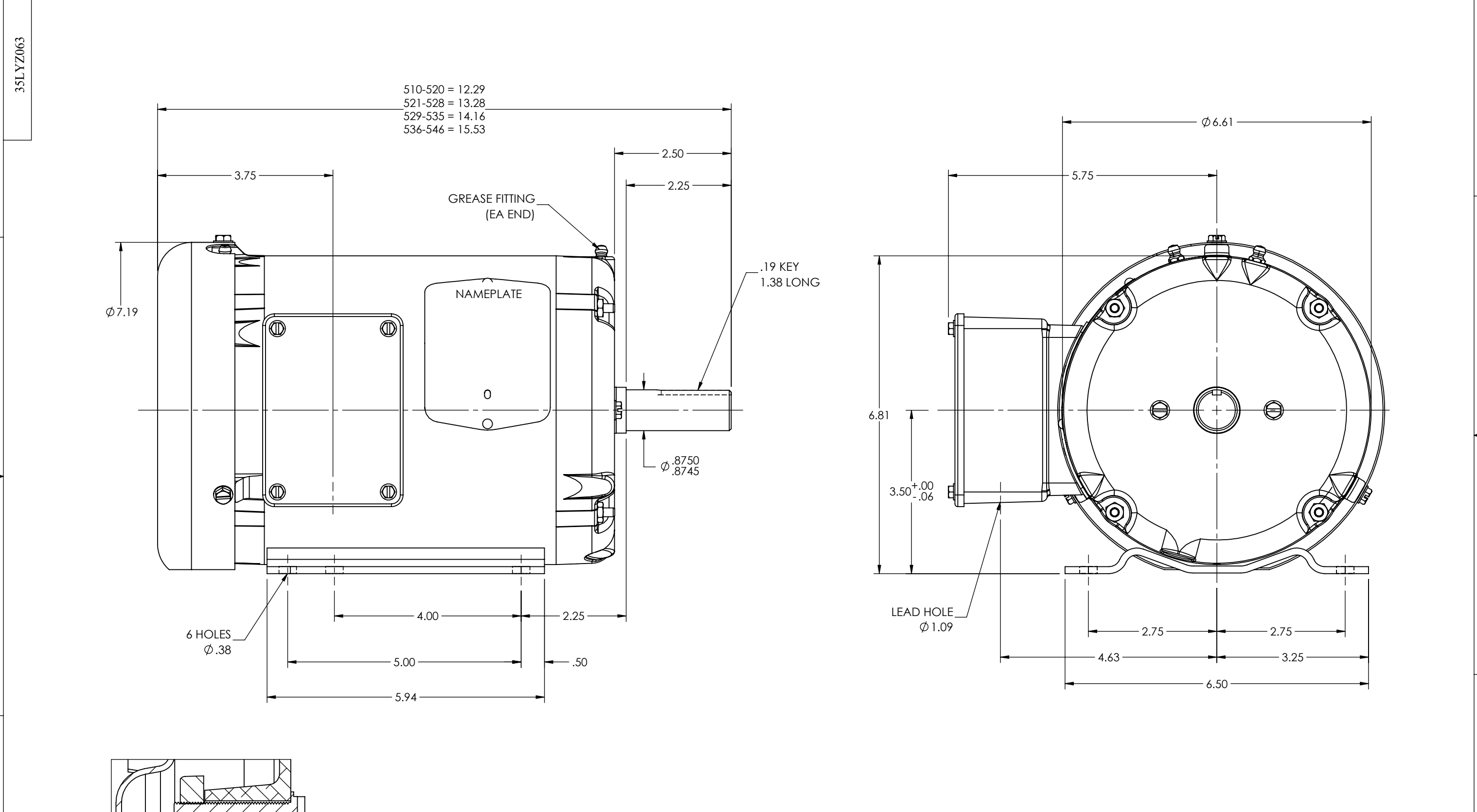


8 7 6 5 4 3 2 1



CUSTOMER IS RESPONSIBLE FOR DETERMINING THAT THE PRODUCT WILL PERFORM SUITABLY IN THE INTENDED APPLICATION

REV. DESC: LOADING OF SWD DWG FOR 2D TO 3D CONVERSION - PKG11			
REV: C	VERSION: 03	REVISED: 11:31:29 11/30/2018	TDR: 000001092572
MODEL NO. 35LYZ063		REF: -	
BY: ENSTEK0			B

BALDOR - RELIANCE®
 HOR 143-5T TEFC M W/1.09 LEAD HOLE, AEGIS INT SHAFT GND
 SH 1 of 1

35LYZ063

8 7 6 5 4 3 2 1