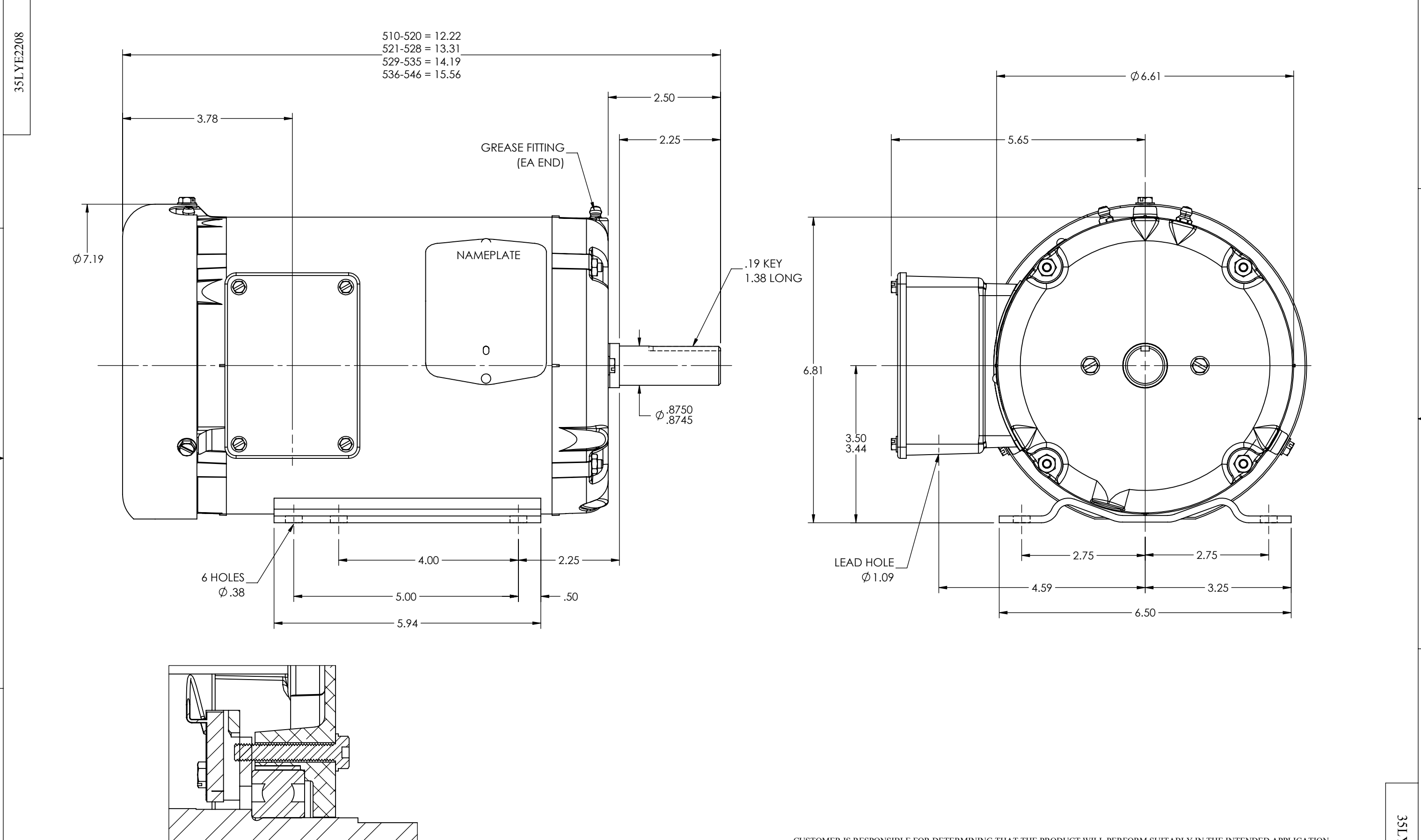


8 7 6 5 4 3 2 1



CUSTOMER IS RESPONSIBLE FOR DETERMINING THAT THE PRODUCT WILL PERFORM SUITABLY IN THE INTENDED APPLICATION

REV. DESC: LOADING OF SWD DWG FOR 2D TO 3D CONVERSION PKG 16			
REV: D	VERSION: 04	REVISED: 08:57:28 02/01/2019	TDR: 000001098202
MODEL NO. 35LYE2208		REF: -	
BY: ENALEM0		B	

BALDOR - RELIANCE®
 HOR 143-5T TEFC M W/1.09 LEAD HOLE, BALDOR INT SHAFT GND
 SH 1 of 1

8 7 6 5 4 3 2 1

35LYE2208