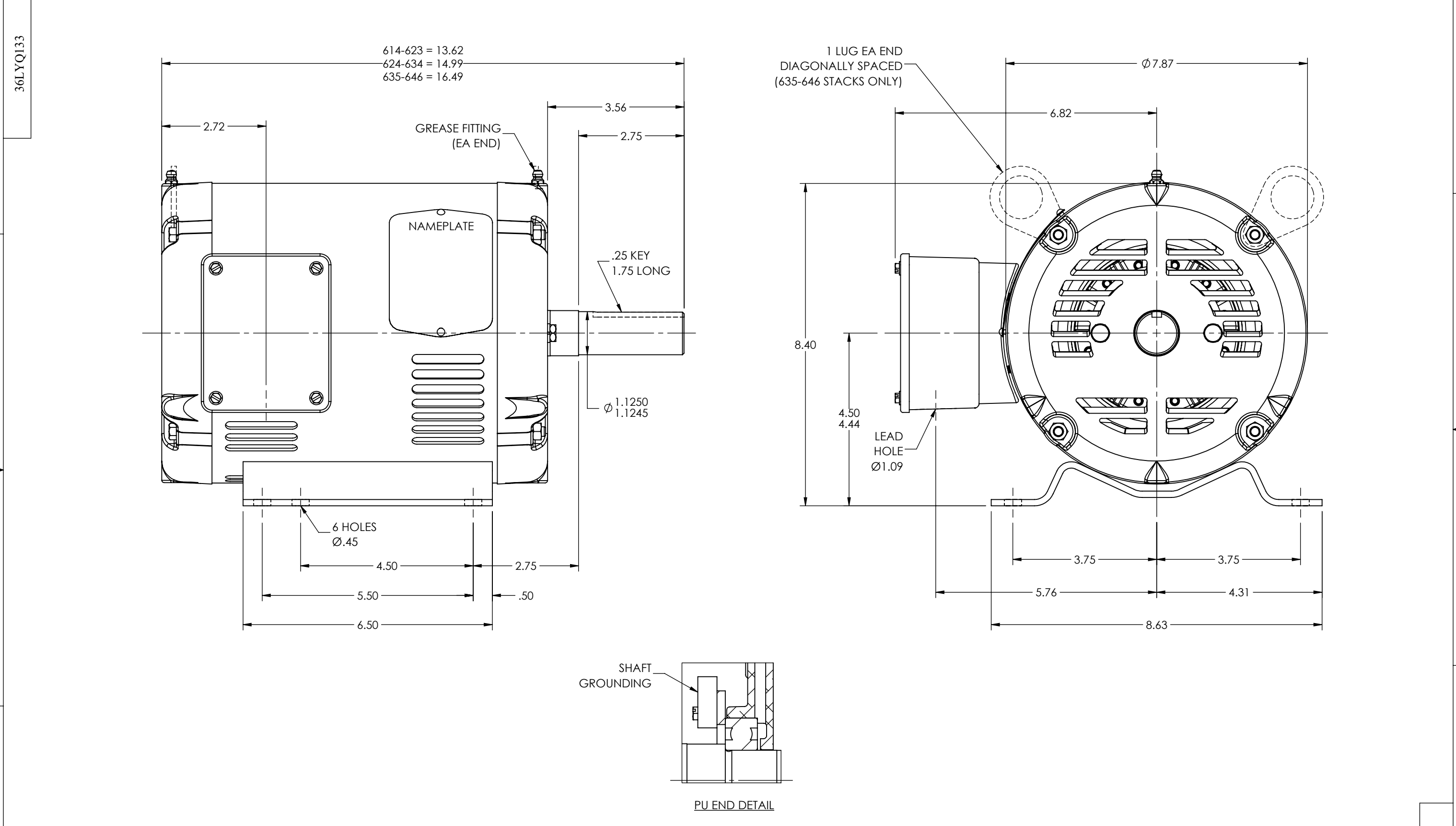


8 7 6 5 4 3 2 1



CUSTOMER IS RESPONSIBLE FOR DETERMINING THAT THE PRODUCT WILL PERFORM SUITABLY IN THE INTENDED APPLICATION

REV. DESC: LOADING OF 2D TO 3D CONVERSION FROM INOPC - PACKAG			
REV: E	VERSION: 05	REVISED: 12:05:36 09/19/2019	TDR: 000001120280
MODEL NO. 36LYQ133			REF: -
BY: ENFRAJ0			<b>B</b>

**BALDOR - RELIANCE®**

HOR 182-4T OPSB M, BALDOR INT GND

A

8 7 6 5 4 3 2 1

36LYQ133