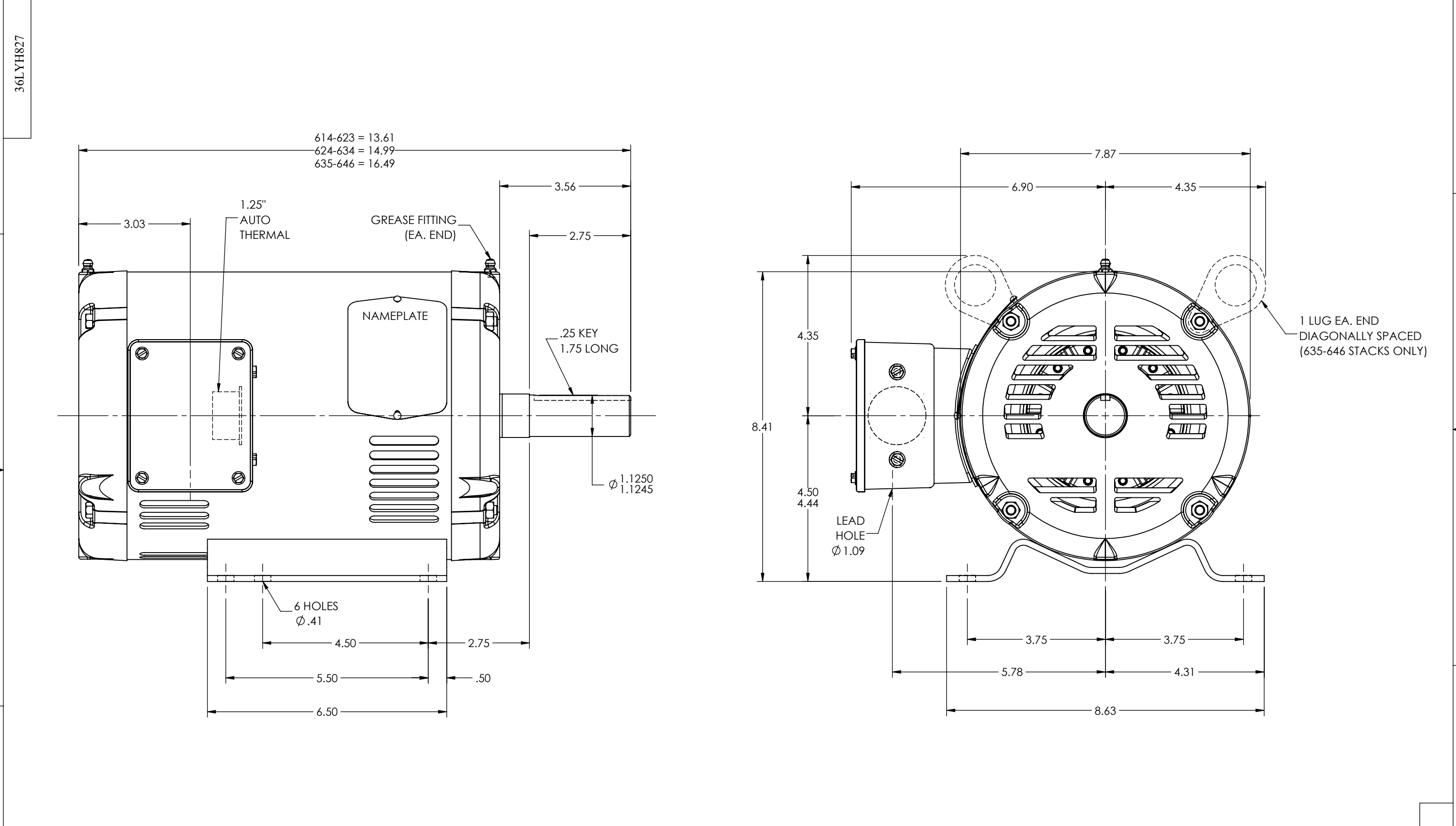


8 7 6 5 4 3 2 1



CUSTOMER IS RESPONSIBLE FOR DETERMINING THAT THE PRODUCT WILL PERFORM SUITABLY IN THE INTENDED APPLICATION

REV. DESC: LOAD INOPC CREATED SWD DRG INTO BUS - PACKAGE 37			
REV: F	VERSION: 04	REVISED: 04:34:04 09/19/2019	TDR: 000001120280
MODEL NO. 36LYH827			REF: -
BY: ENSTEK0			B

BALDOR - RELIANCE®

HOR 182-4T OPSB M W/1.25" ATO IN KO BOX

A

8 7 6 5 4 3 2 1

36LYH827