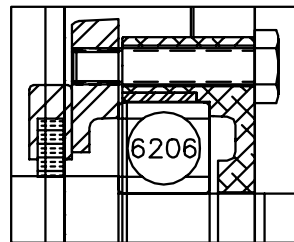
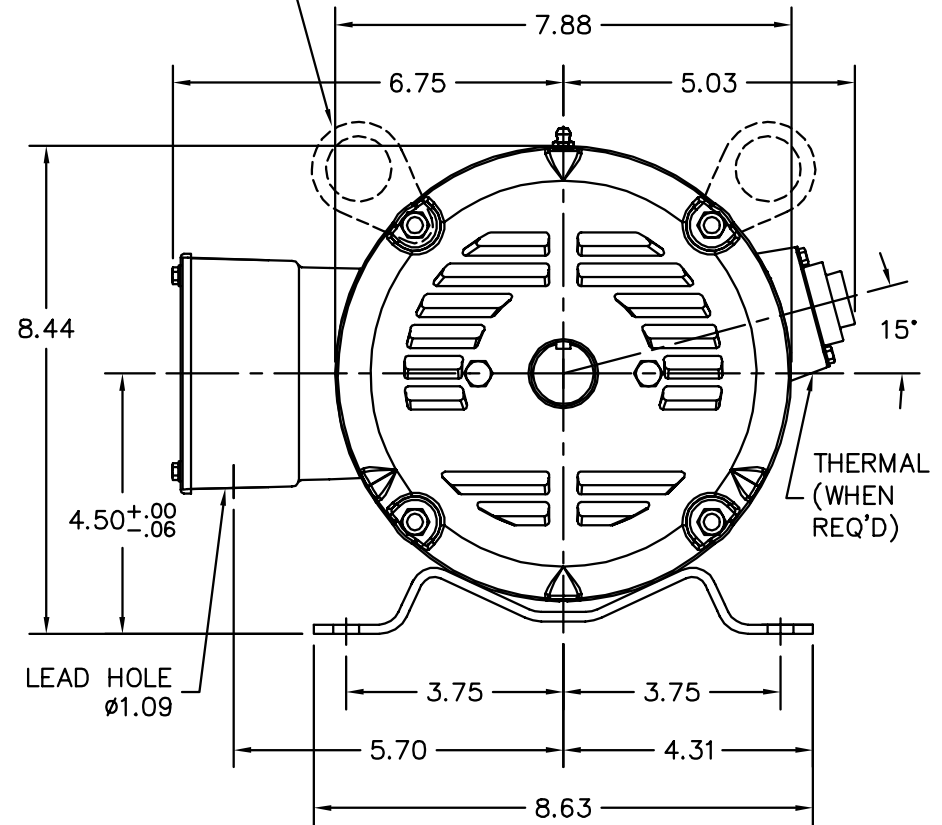
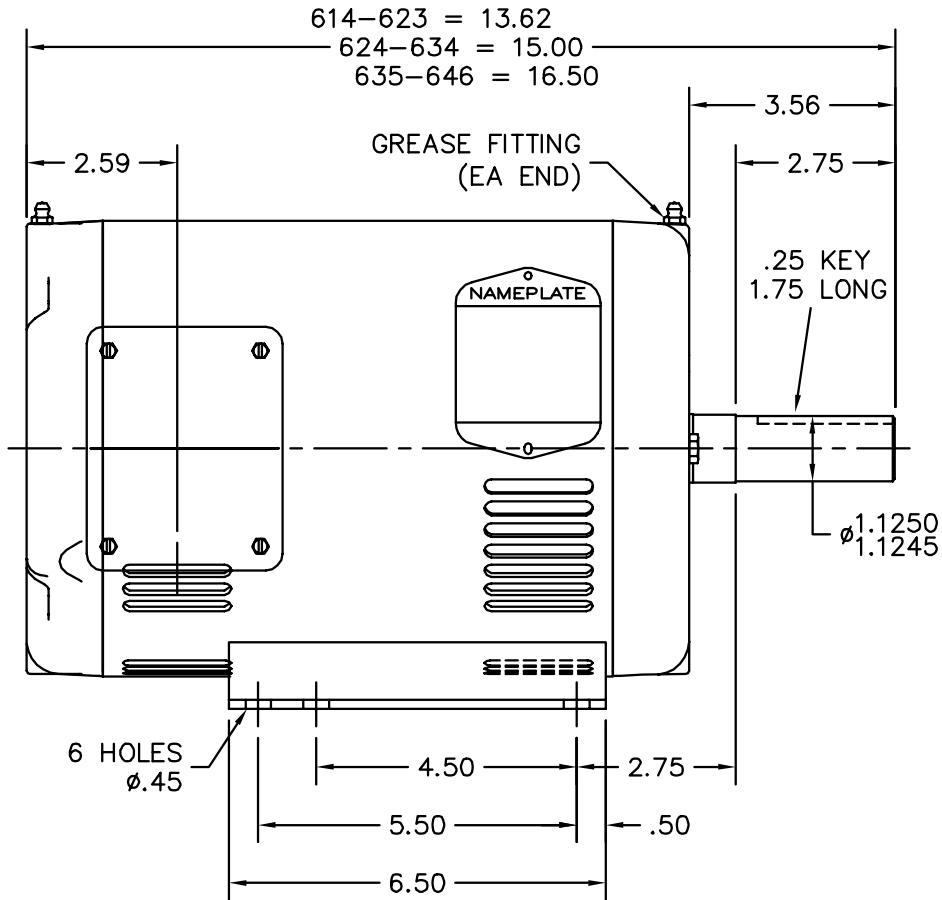


1 LUG EA END  
DIAGONALLY SPACED  
(624-646 STACKS ONLY)



PU END DETAIL

CUSTOMER IS RESPONSIBLE FOR DETERMINING THAT BALDOR'S PRODUCT WILL PERFORM SUITABLY IN THE INTENDED APPLICATION.

REV. DESC: FREP: WAS 36FE3200A01, NOW 36EP3204B00		
REV. LTR: E	VERSION: 05	TDR: 000001103877
FILE: \AAA\00174\561	REVISED: 07:14:01 04/04/2019	BY: FPJFG0
MTL: -		

**BALDOR - RELIANCE®**

HOR 182-4T OPSB M, AEGIS INT GND

SH 1 of 1