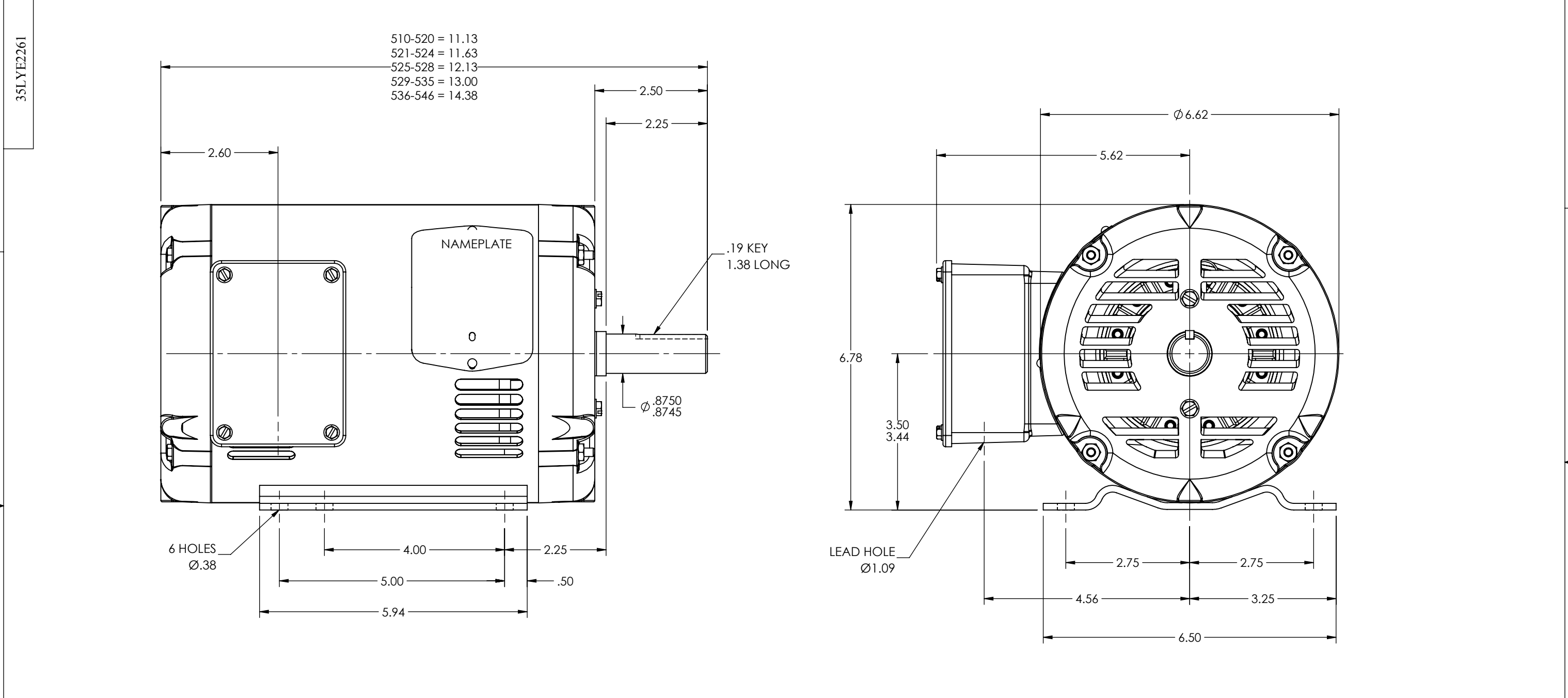
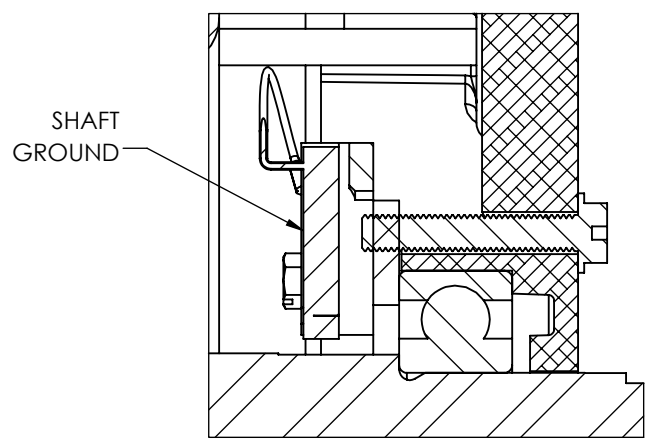


8 7 6 5 4 3 2 1



D
C
B
A

D
C
B
A



CUSTOMER IS RESPONSIBLE FOR DETERMINING THAT THE PRODUCT WILL PERFORM SUITABLY IN THE INTENDED APPLICATION

REV. DESC: LOADING OF SWD DWG FOR 2D TO 3D CONVERSION PKG 16			
REV: D	VERSION: 04	REVISED: 09:53:46 02/01/2019	TDR: 000001098202
MODEL NO. 35LYE2261			REF: -
BY: ENALEM0			B

BALDOR - RELIANCE®

HOR 143-5T OPSB M W/ BALDOR INT SHAFT GND
 SH 1 of 1

8 7 6 5 4 3 2 1

35LYE2261