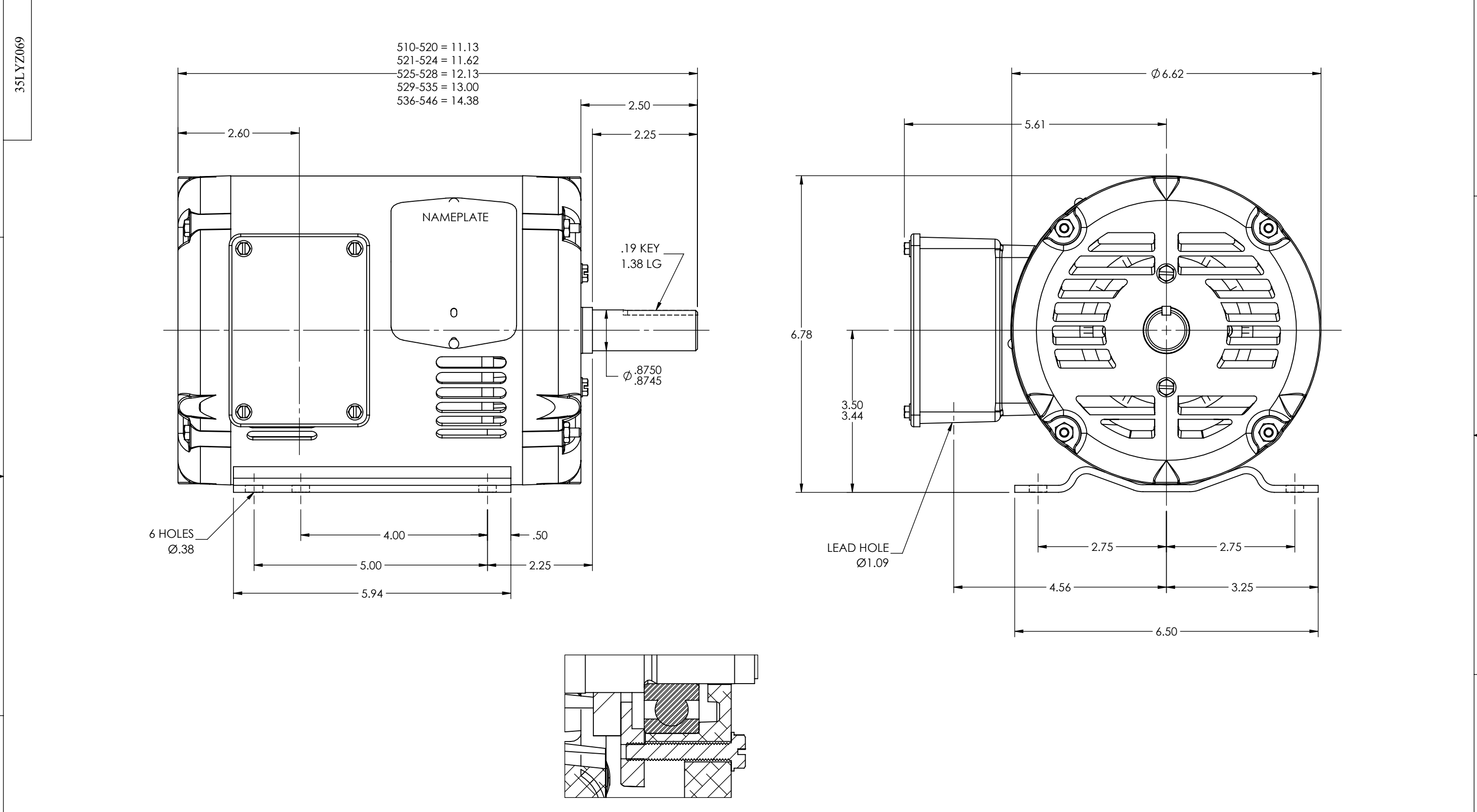


8 7 6 5 4 3 2 1



A

CUSTOMER IS RESPONSIBLE FOR DETERMINING THAT THE PRODUCT WILL PERFORM SUITABLY IN THE INTENDED APPLICATION

REV. DESC: LOADING OF SWD DWG FOR 2D TO 3D CONVERSION - PKG11			
REV: F	VERSION: 06	REVISED: 11:25:05 11/30/2018	TDR: 000001092572
MODEL NO. 35LYZ069		REF: -	
BY: ENSTEK0		B	

BALDOR - RELIANCE®

HOR 143-5T OPSB M, AEGIS INT SHAFT GND
 SH 1 of 1

8 7 6 5 4 3 2 1

35LYZ069