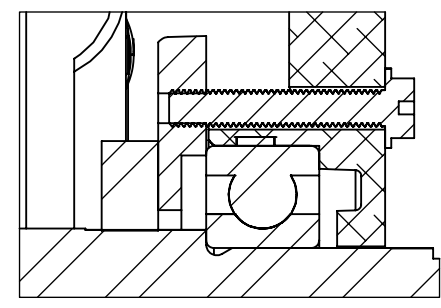
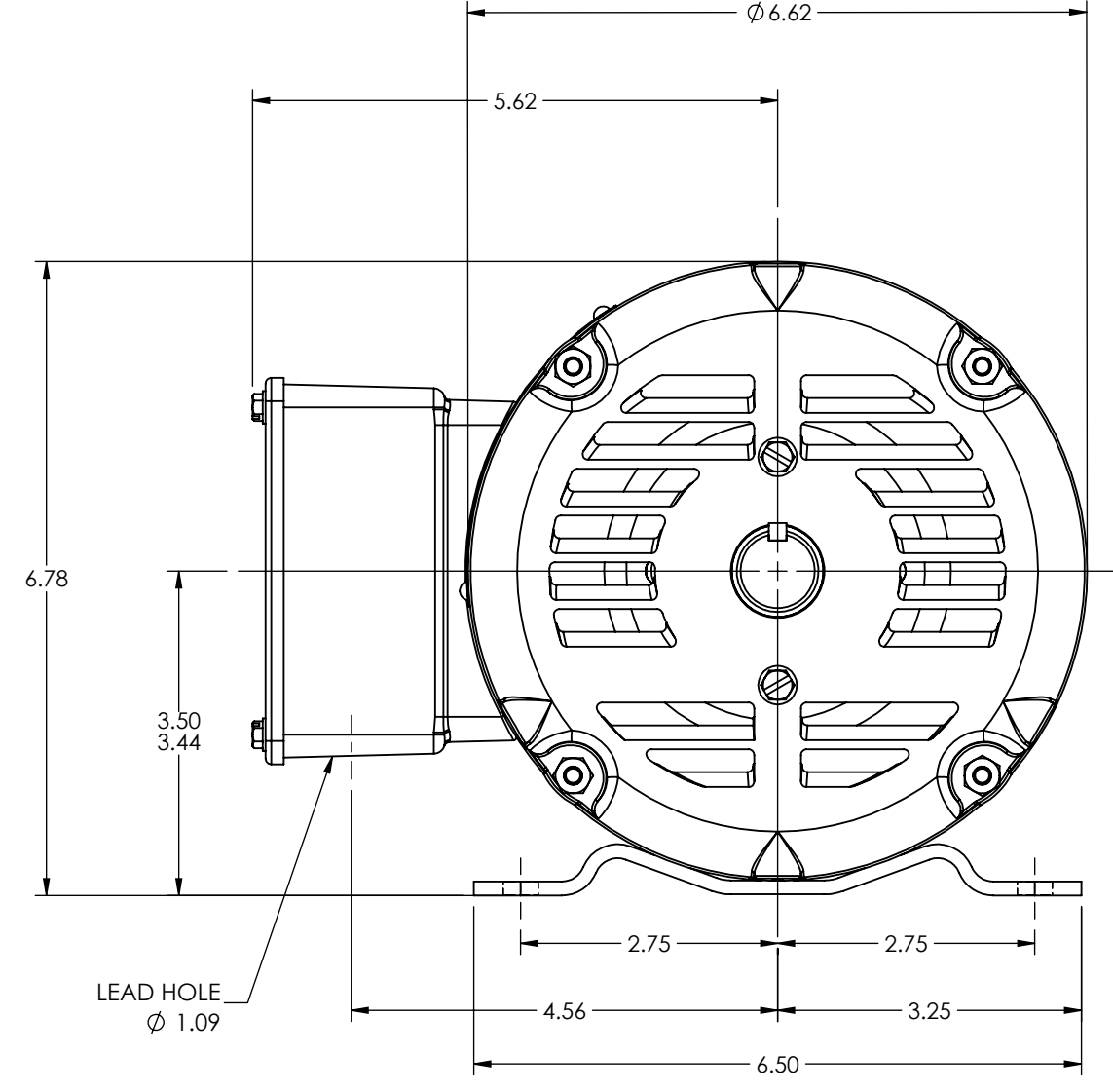
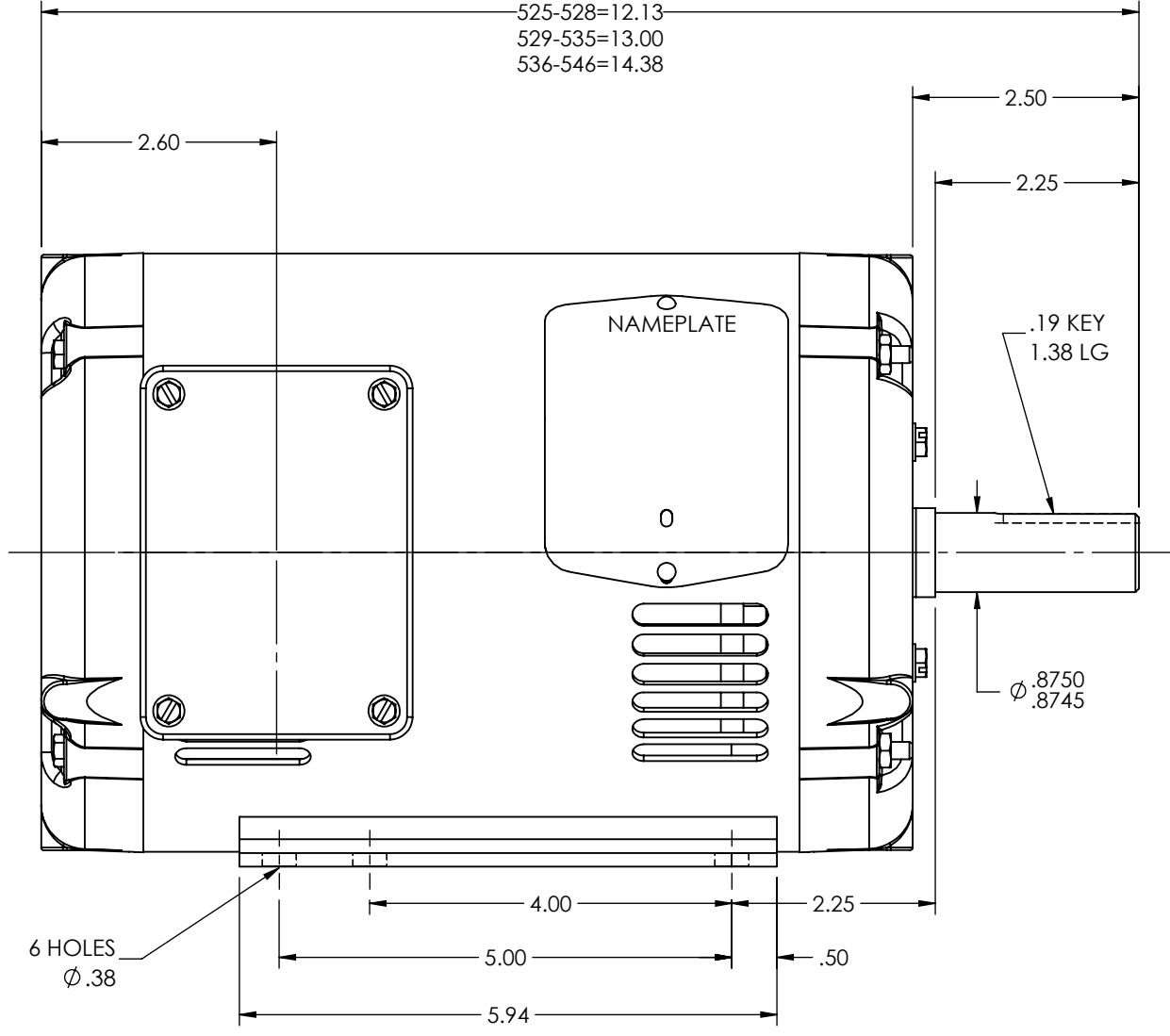


8 7 6 5 4 3 2 1

35LYZ948

510-520=11.13  
 521-524=11.63  
 525-528=12.13  
 529-535=13.00  
 536-546=14.38



PU END DETAIL

CUSTOMER IS RESPONSIBLE FOR DETERMINING THAT THE PRODUCT WILL PERFORM SUITABLY IN THE INTENDED APPLICATION

REV. DESC: LOADING OF SWD DWG FOR 2D TO 3D CONVERSION - PKG13			
REV: C	VERSION: 03	REVISED: 07:28:18 01/02/2019	TDR: 000001094435
MODEL NO. 35LYZ948		REF: -	
BY: ENALEM0		<b>B</b>	

**BALDOR - RELIANCE®**

HOR 143-5T OPSB M, AEGIS INT SHAFT GRD, "W" BASE  
 SH 1 of 1

35LYZ948

35LYZ948

8 7 6 5 4 3 2 1