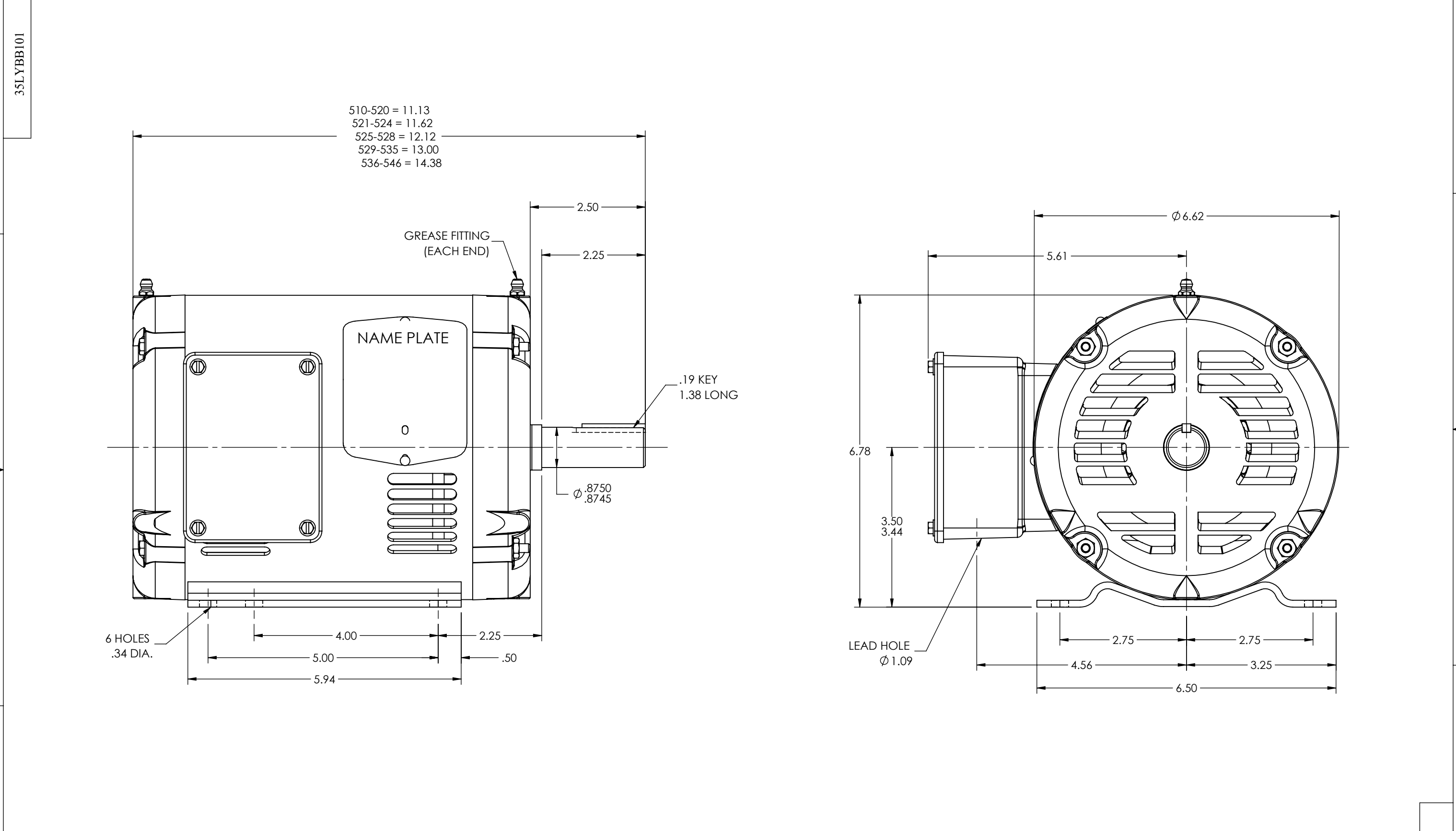


8 7 6 5 4 3 2 1



CUSTOMER IS RESPONSIBLE FOR DETERMINING THAT BALDOR'S PRODUCT WILL PERFORM SUITABLY IN THE INTENDED APPLICATION

REV. DESC: CHANGED 3.47 +0/.06 SHAFT HEIGHT DIM TO 3.50/3.44			
REV: D	VERSION: 04	REVISED: 08:00:32 04/03/2019	TDR: 000001104642
MODEL NO. 35LYBB101			REF: -
BY: USBUFRA	Material: -	B	

BALDOR - RELIANCE®

STD HORZ 143-5T OPSB 35M W/1.09 LEAD HOLE

SH 1 of 1

8 7 6 5 4 3 2 1

35LYBB101