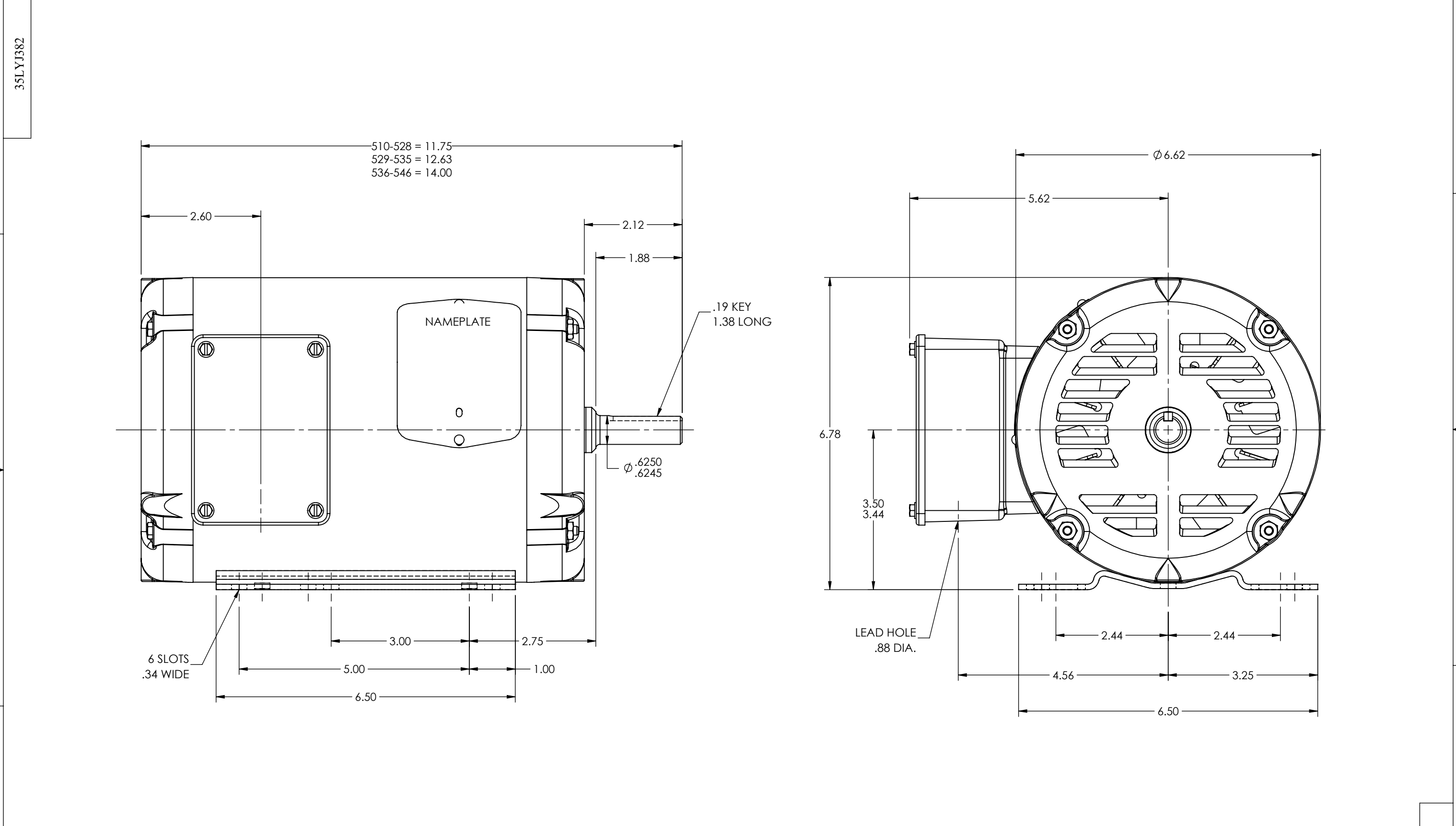


8 7 6 5 4 3 2 1



D
C
B
A

D
C
B
A

CUSTOMER IS RESPONSIBLE FOR DETERMINING THAT THE PRODUCT WILL PERFORM SUITABLY IN THE INTENDED APPLICATION

REV. DESC: LOADING OF SWD DWG FOR 2D TO 3D CONVERSION - PKG11			
REV: G	VERSION: 04	REVISED: 04:18:02 11/30/2018	TDR: 000001092572
MODEL NO. 35LYJ382		REF: -	
BY: ENSTEK0		B	

BALDOR - RELIANCE®

STD HORZ 56/56H OPEN 35M
SH 1 of 1

8 7 6 5 4 3 2 1

35LYJ382