

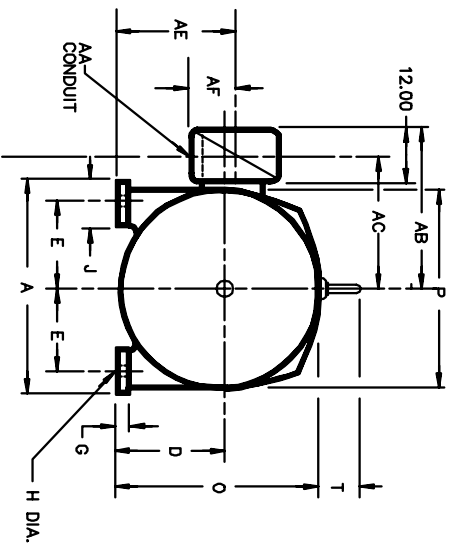
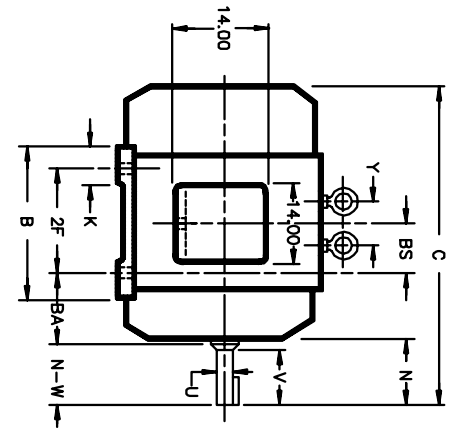
DUTY MASTER ALTERNATING CURRENT MOTORS

SQUIRREL-CAGE INDUCTION

ENCLOSURE: PROTECTED
TOTALLY ENCLOSED

COOLING: SELF-VENTILATED
NON-VENTILATED

MOUNTING: FOOT
FRAMES 445T THRU 449TS ABOVE NEMA RATINGS
WITH SPECIAL CONDUIT BOX



DIMENSIONS ARE IN INCHES

FRAME	A	D(2)	E	G	H	J	O	P	BA	K	T	Y(4)
445T	21.00	11.00	9.00	1.12	.81	3.25	23.62	24.25	7.50	3.25	3.25	---
445TS	21.00	11.00	9.00	1.12	.81	3.25	23.62	24.25	7.50	3.25	3.25	---
447T	21.00	11.00	9.00	1.12	.81	3.25	24.25	24.25	7.50	3.25	4.25	5.00
447TS	21.00	11.00	9.00	1.12	.81	3.25	24.25	24.25	7.50	3.25	4.25	5.00
449T	21.00	11.00	9.00	1.12	.81	3.25	24.25	24.25	7.50	3.25	4.25	5.00
449TS	21.00	11.00	9.00	1.12	.81	3.25	24.25	24.25	7.50	3.25	4.25	5.00

FRAME	C	BS	B	2F	N	N-W	U(3)	V	LGTH.	SQ. KEY	WT. (LBS)
445T	39.56	8.25	19.00	16.50	8.94	8.50	3.575	8.25	6.88	.875	1410
445TS	35.81	8.25	19.00	16.50	5.19	4.75	2.375	4.50	3.00	.625	1410
447T	43.06	10.00	22.50	20.00	8.94	8.50	3.575	8.25	6.88	.875	1730
447TS	39.31	10.00	22.50	20.00	5.19	4.75	2.375	4.50	3.00	.625	1730
449T	48.06	12.50	27.50	25.00	8.94	8.50	3.575	8.25	6.88	.875	2100
449TS	44.31	12.50	27.50	25.00	5.19	4.75	2.375	4.50	3.00	.625	2100

FRAME	AA	AB	AC	AF	PROT	AE
445T	4"	24.63	18.63	7.00	12.00	11.00
445TS	4"	24.63	18.63	7.00	12.00	11.00
447T	4"	24.63	18.63	7.00	12.00	11.00
447TS	4"	24.63	18.63	7.00	12.00	11.00
449T	4"	24.63	18.63	7.00	12.00	11.00
449TS	4"	24.63	18.63	7.00	12.00	11.00

- (1) SPECIAL DIMENSIONS ON THIS LINE
- (2) "D" VARIES +.00, -.06
- (3) "U" & "U" VARY +.000, -.001
- (4) 445 FRAME HAS ONE EYEBOLT

CONDUIT BOX LOCATED ON OPPOSITE SIDE WHEN F-2, W-1, W-4, W-5, W-7, OR C-1 MOUNTING IS SPECIFIED. STANDARD DOUBLE SHAFT SUPPLIED ONLY WHEN SPECIFIED. IF MOUNTING CLEARANCE DETAILS ARE REQUIRED CONSULT FACTORY. MAXIMUM PERMISSIBLE SHAFT RINOUT WHEN MEASURED AT END OF STANDARD SHAFT EXTENSION IS .003 T.I.R.

CUSTOMER IS RESPONSIBLE FOR DETERMINING THAT BALDOR'S PRODUCT WILL PERFORM SUITABLY IN THE INTENDED APPLICATION.

REV. DESC: CHANGING TO CORRECT TITLE	VERSION: 02	TDR: 000000752338
REV. LTR: B	REVISED: 01:05:26 06/27/2012	BY: RAGRA
FILE: \RAG\00012\166		
MTL: -		

BALDOR

DIM SHEET PROT 445T-449TS ABV/NEMA - SPCL C/BOX - 14X14X12
SH 1 of 1

FRAME _____ TYPE _____ CERTIFIED FOR _____
 ORDER _____ ITEM _____ HP _____ RPM _____ PH _____ HZ _____ VOLTS _____
 SALES ORDER _____ APPROVED BY _____ DATE _____