

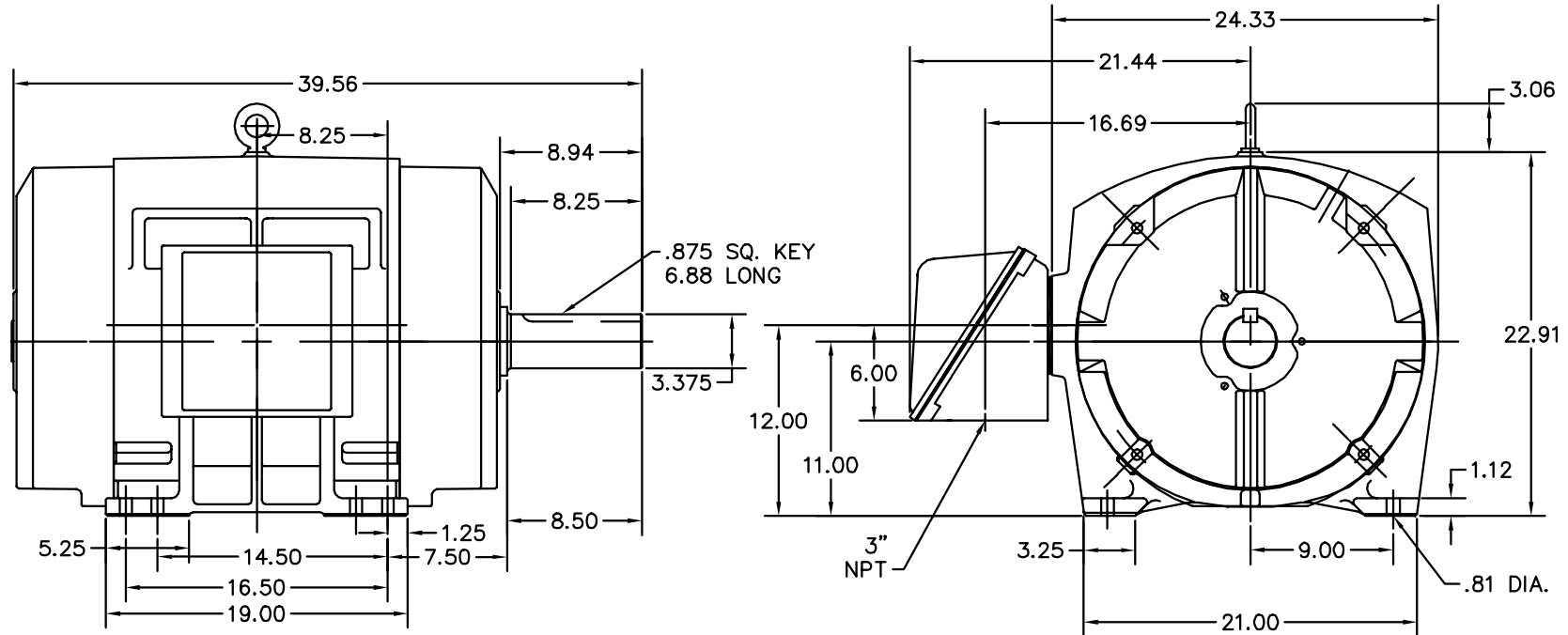
# DUTY MASTER ALTERNATING CURRENT MOTORS

SQUIRREL-CAGE INDUCTION

ENCLOSURE: PROTECTED  
MOUNTING: FOOT

COOLING: SELF-VENTILATED

FRAMES 444T THRU 445T



.875 SQ. KEY  
6.88 LONG

NOTES:  
SCALE DWG. FOR COMPLETE DIMENSIONS  
SEE DS 611750-501

FRAME- \_\_\_\_\_ TYPE- \_\_\_\_\_ CERTIFIED FOR- \_\_\_\_\_  
ORDER- \_\_\_\_\_ ITEM- \_\_\_\_\_ HP- \_\_\_\_\_ RPM- \_\_\_\_\_  
SALES ORDER- \_\_\_\_\_ APPROVED BY- \_\_\_\_\_ DATE- \_\_\_\_\_  
CUSTOMER IS RESPONSIBLE FOR DETERMINING THAT BALDOR'S PRODUCT WILL PERFORM SUITABLY IN THE INTENDED APPLICATION.

REV. DESC: LOADED TO BUS		
REV. LTR: A	VERSION: 01	TDR: 00000557201
FILE: \RAG\00010\520	REVISED: 11:22:31 09/08/2010	BY: RAGRA
MTL: -		

**BALDOR**

DIM SHT 444T-445T ODP FT

SH 1 of 1