

DUTY MASTER ALTERNATING CURRENT MOTORS

SQUIRREL-CAGE INDUCTION
CAST IRON CONSTRUCTION

FRAMES 444T-445T

COOLING: SELF-VENTILATED

ENCLOSURE: PROTECTED
MOUNTING: FOOT

617428-042

D

D

C

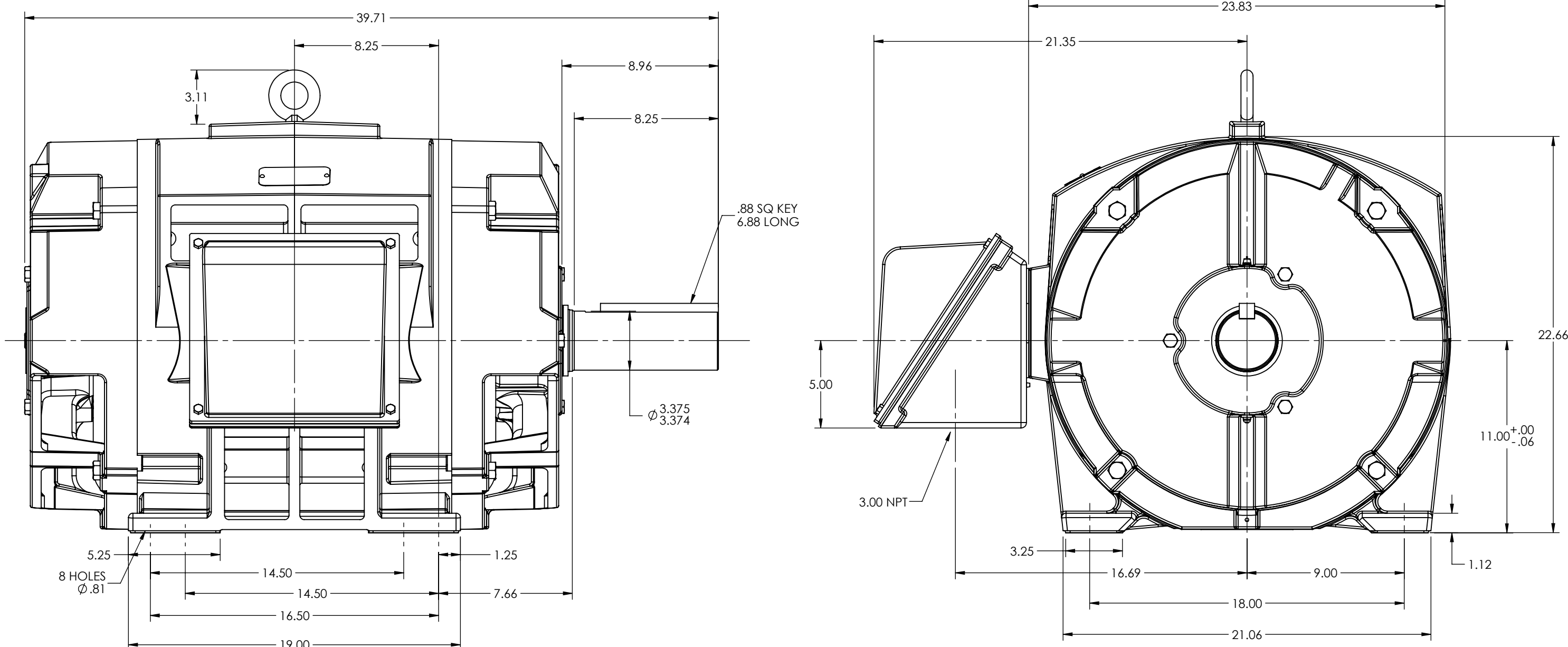
C

B

B

A

A



MAXIMUM PERMISSIBLE SHAFT RUNOUT WHEN MEASURED AT END OF STD. SHAFT EXTENSION IS .002 T.I.R. UP TO AND INCLUDING 1.625 DIA. AND .003 T.I.R. 1.625 DIA. TO 5 INCH DIA.

WEIGHT (LBS): 444T = 1735
445T = 1775
MOTOR WEIGHTS MAY VARY BY 15% DEPENDING UPON RATING.

CUSTOMER IS RESPONSIBLE FOR DETERMINING THAT BALDOR'S PRODUCT WILL PERFORM SUITABLY IN THE INTENDED APPLICATION

REV. DESC: LOAD TO BUS			
REV: -	VERSION: 00	REVISED: 11:30:51 09/10/2013	TDR: 000000816903
MODEL NO. 617428-042			REF:
BY: ENALEM0			B

BALDOR

DIM SHEET HOR 444-445T OPEN

617428-042

8 7 6 5 4 3 2 1