

DUTY MASTER ALTERNATING CURRENT MOTORS

SQUIRREL-CAGE INDUCTION
CAST IRON CONSTRUCTION

FRAMES 444TS-445TS

COOLING: SELF-VENTILATED

ENCLOSURE: PROTECTED
MOUNTING: FOOT

617428-041

D

D

C

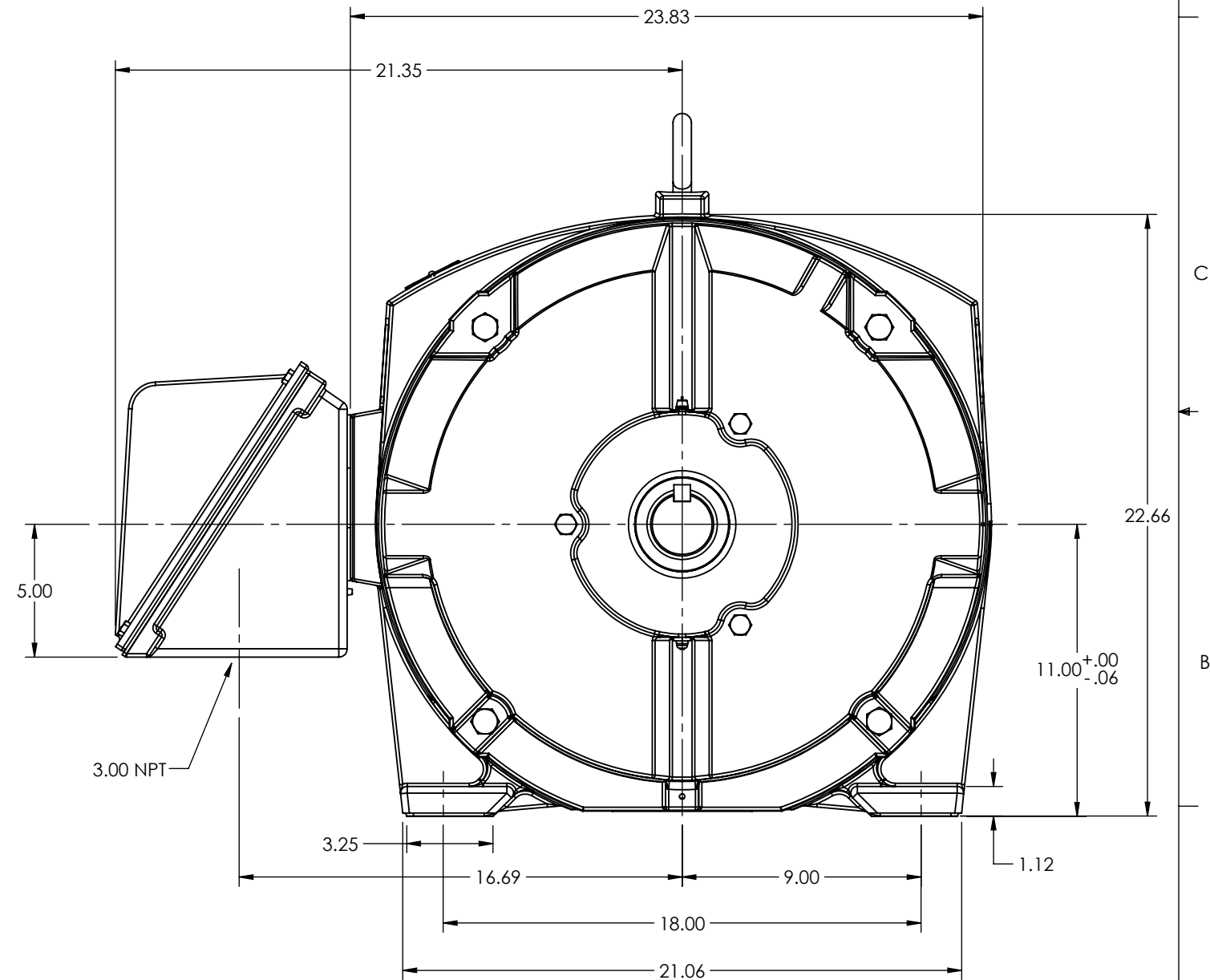
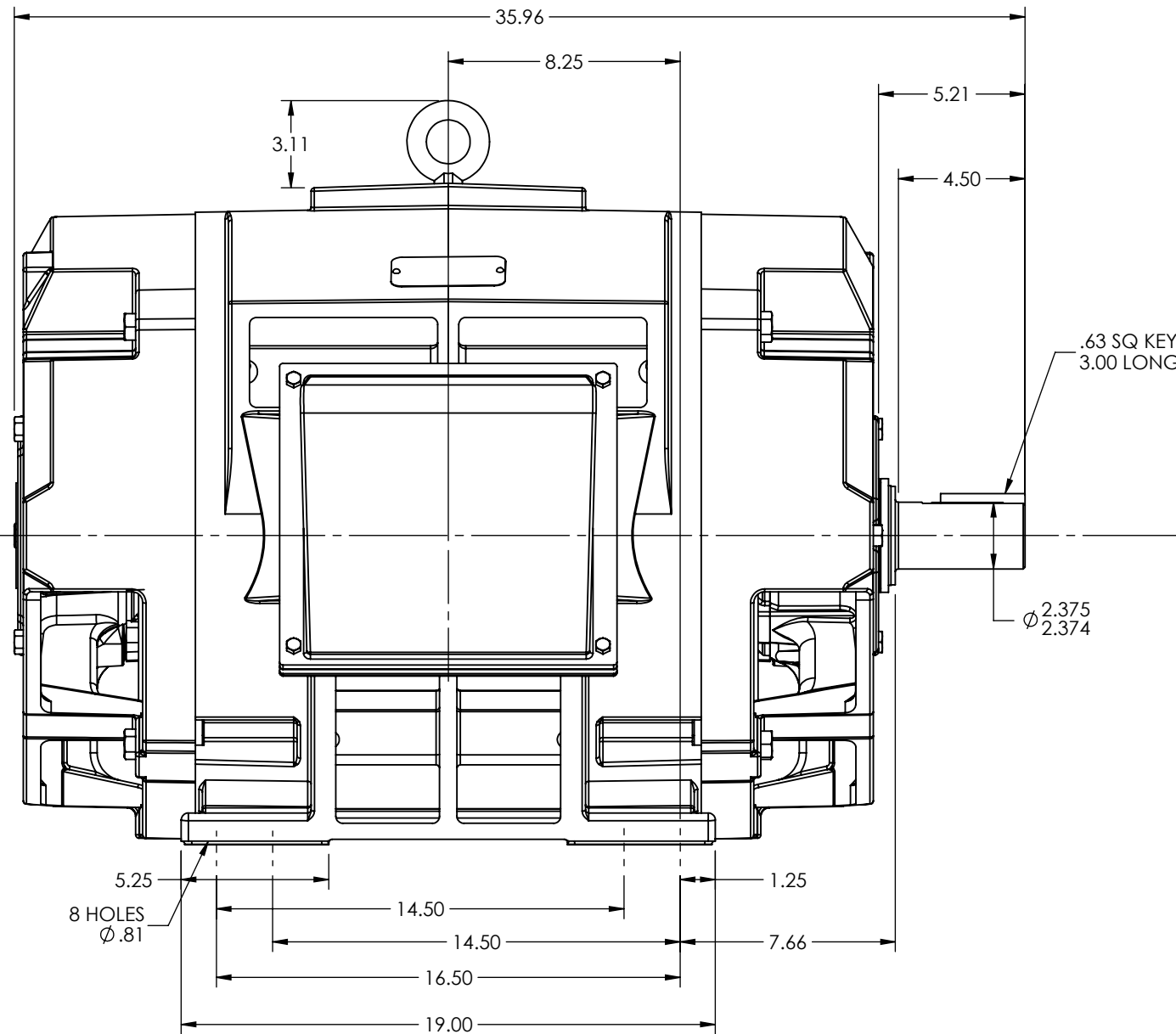
C

B

B

A

A



MAXIMUM PERMISSIBLE SHAFT RUNOUT WHEN MEASURED AT END OF STD. SHAFT EXTENSION IS .002 T.I.R. UP TO AND INCLUDING 1.625 DIA. AND .003 T.I.R. 1.625 DIA. TO 5 INCH DIA.

WEIGHT (LBS): 444TS = 1730
445TS = 1770

MOTOR WEIGHTS MAY VARY BY 15% DEPENDING UPON RATING.

CUSTOMER IS RESPONSIBLE FOR DETERMINING THAT BALDOR'S PRODUCT WILL PERFORM SUITABLY IN THE INTENDED APPLICATION

REV. DESC: LOAD TO BUS			
REV: -	VERSION: 00	REVISED: 07:20:00 09/16/2013	TDR: 000000816903
MODEL NO. 617428-041			REF:
BY: ENALEM0			B

BALDOR

DIM SHEET HOR 444-445T OPEN

617428-041

8

7

6

5

4

3

2

1