

# DUTY MASTER ALTERNATING CURRENT MOTORS

SQUIRREL-CAGE INDUCTION  
CAST IRON CONSTRUCTION

ENCLOSURE: PROTECTED  
MOUNTING: FOOT

FRAMES 364T-365T

COOLING: SELF-VENTILATED

617428-116

D

C

B

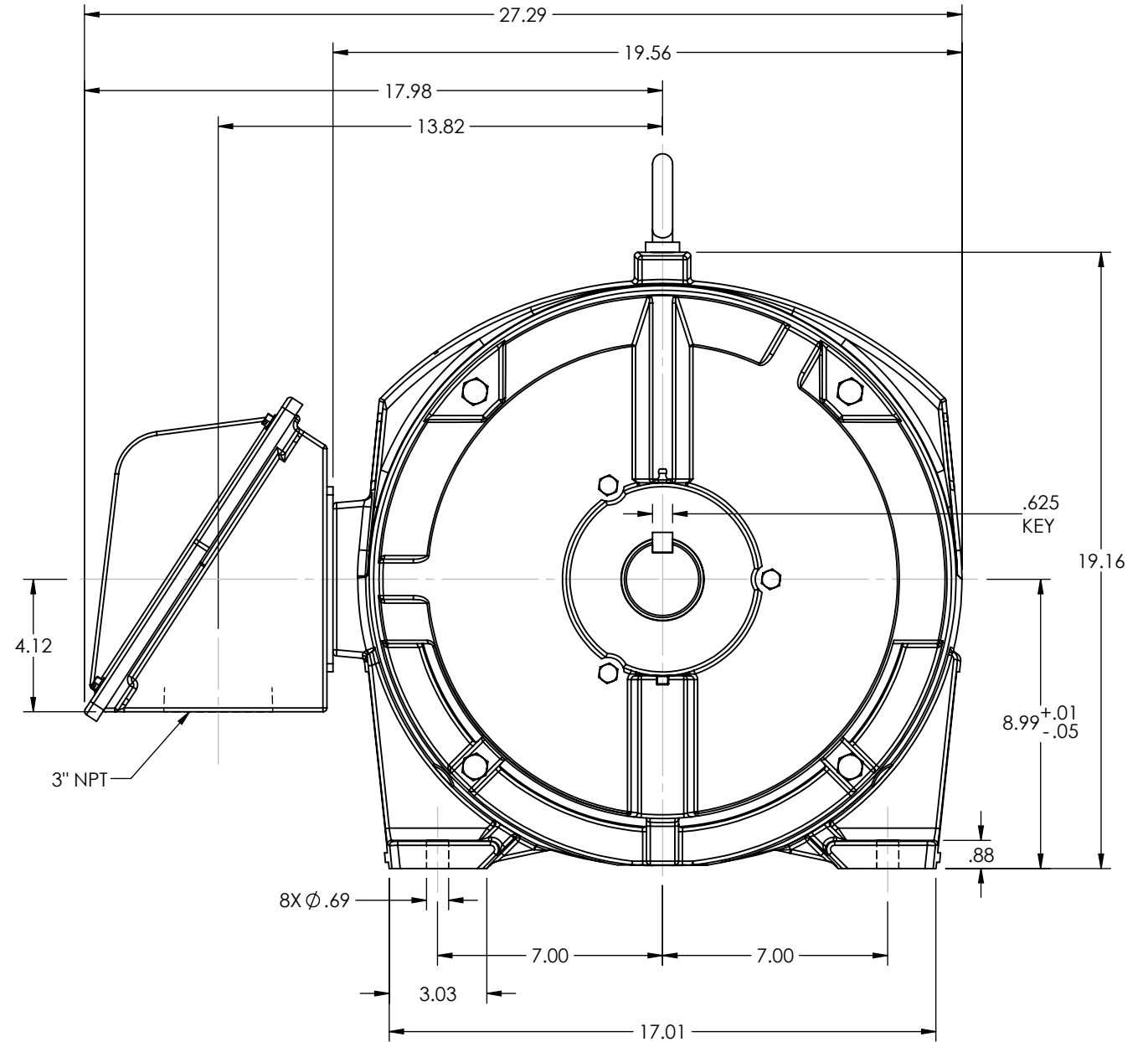
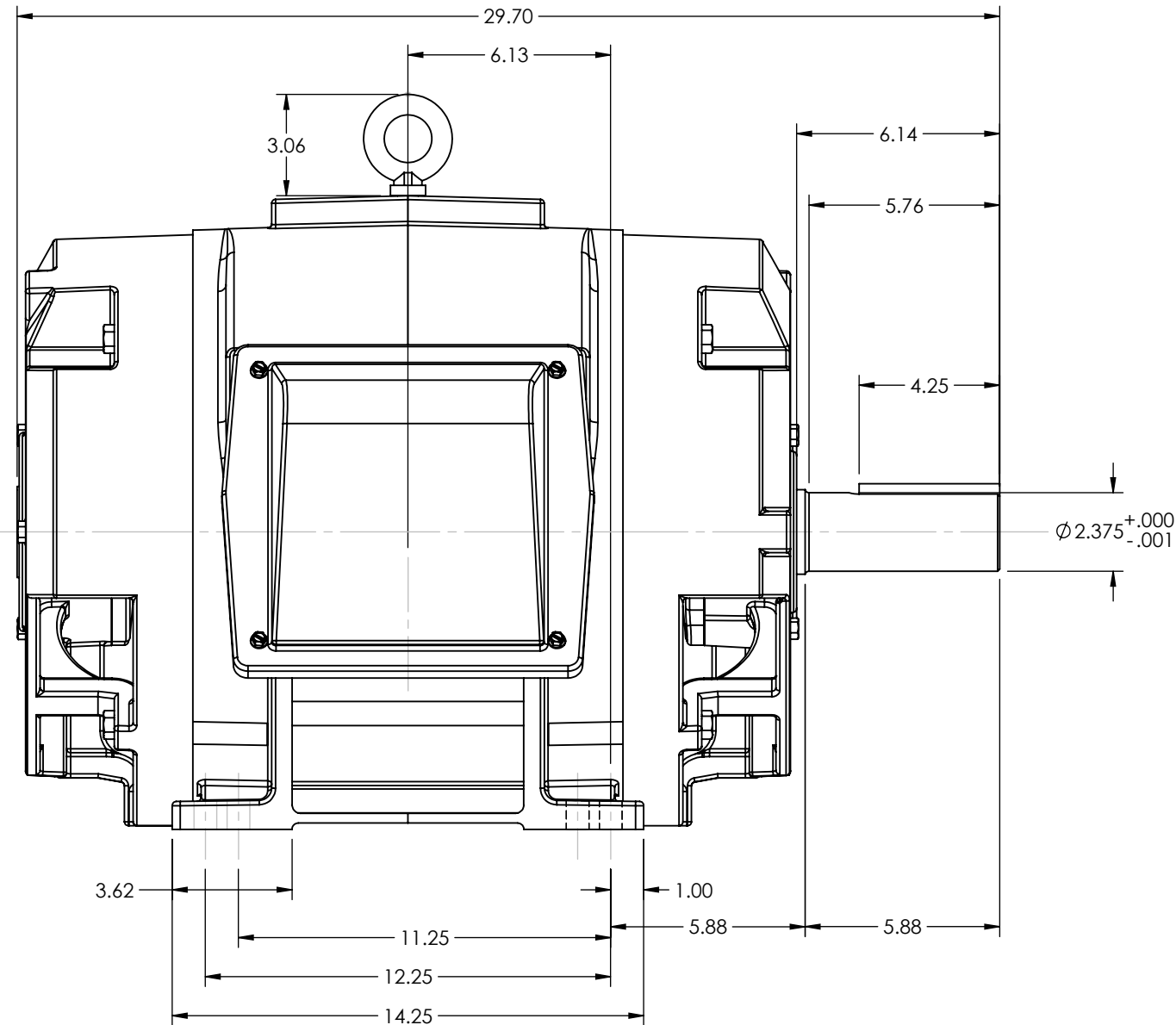
A

D

C

B

A



MAXIMUM PERMISSIBLE SHAFT RUNOUT WHEN MEASURED AT END OF SHAFT EXTENSION IS .003 T.I.R.

WEIGHT (LBS): 364T = 735  
365T = 775

MOTOR WEIGHTS MAY VARY BY 15% DEPENDING UPON RATING.

CUSTOMER IS RESPONSIBLE FOR DETERMINING THAT BALDOR'S PRODUCT WILL PERFORM SUITABLY IN THE INTENDED APPLICATION

REV. DESC: NEW TO REPLACE 364-5T ON 611750-501			
REV: -	VERSION: 00	REVISED: 04:32:48 07/01/2016	TDR: 00000983096
MODEL NO. 617428-116		REF: -	
BY: USBRCHA2		B	

**BALDOR**

DIM SHT 364-5T (611750-501)

617428-116

8 7 6 5 4 3 2 1