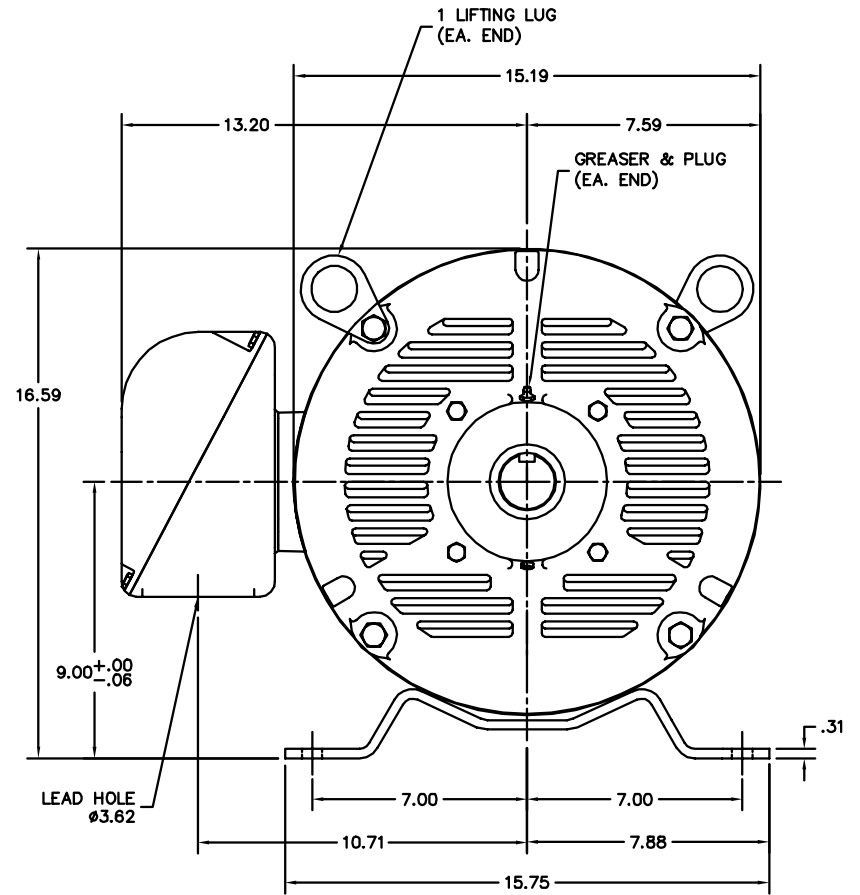
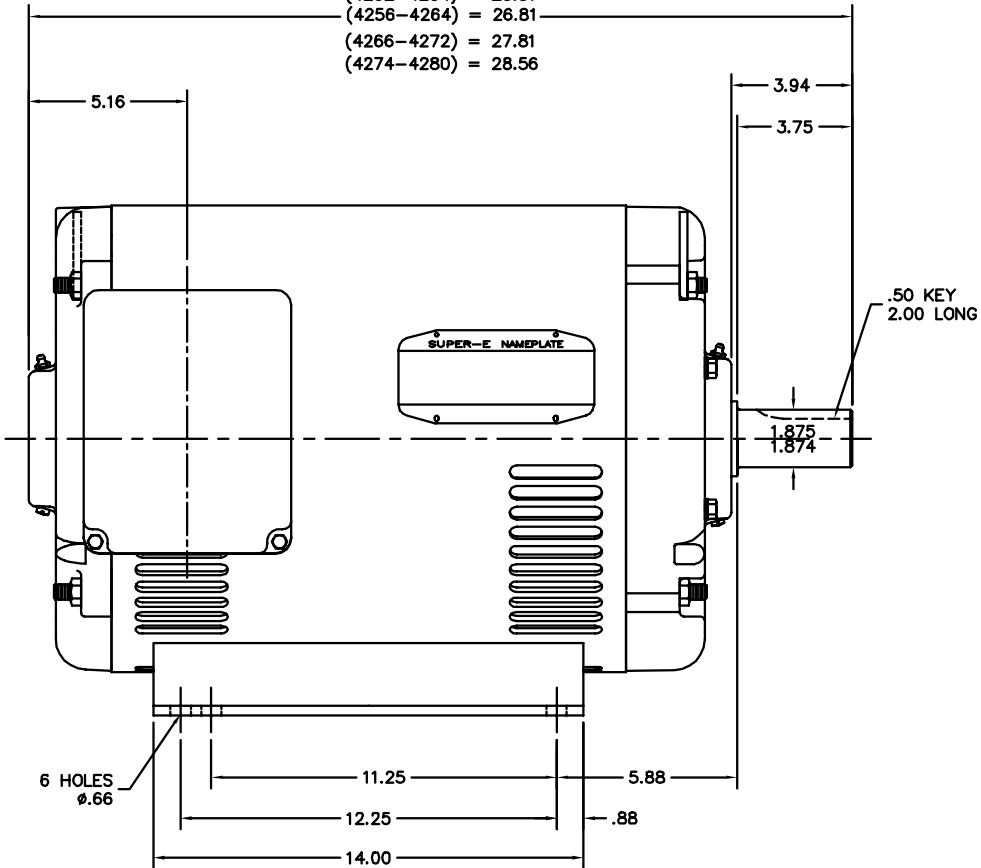


(4232-4254) = 25.81  
 (4256-4264) = 26.81  
 (4266-4272) = 27.81  
 (4274-4280) = 28.56



CUSTOMER IS RESPONSIBLE FOR DETERMINING THAT BALDOR'S PRODUCT WILL PERFORM SUITABLY IN THE INTENDED APPLICATION.

REV. DESC: UPDATED DESCRIPTION		
REV. LTR: A	VERSION: 01	TDR: 000000855149
FILE: \AAA\00163\977	REVISED: 10:12:19 05/23/2014	BY: ENNINDO
MTL: -		

**BALDOR**

HORZ OPSB 364-5TS, SUPER-E

SH 1 of 1