

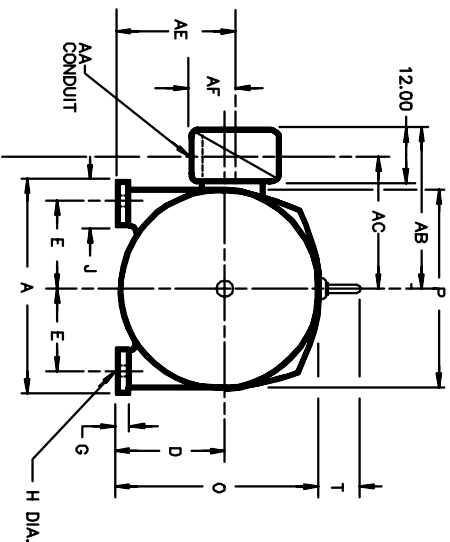
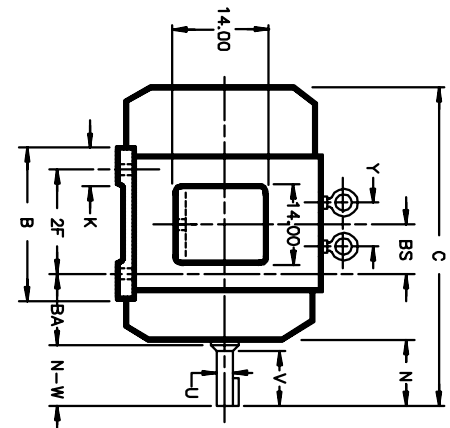
# DUTY MASTER ALTERNATING CURRENT MOTORS

SQUIRREL-CAGE INDUCTION

ENCLOSURE: PROTECTED  
TOTALLY ENCLOSED

COOLING: SELF-VENTILATED  
NON-VENTILATED

MOUNTING: FOOT  
FRAMES 445T THRU 449TS ABOVE NEMA RATINGS  
WITH SPECIAL CONDUIT BOX



DIMENSIONS ARE IN INCHES

| FRAME | A     | D(2)  | E    | G    | H   | J    | O     | P     | BA   | K    | T    | Y(4) |
|-------|-------|-------|------|------|-----|------|-------|-------|------|------|------|------|
| 445T  | 21.00 | 11.00 | 9.00 | 1.12 | .81 | 3.25 | 23.62 | 24.25 | 7.50 | 3.25 | 3.25 | ---  |
| 445TS | 21.00 | 11.00 | 9.00 | 1.12 | .81 | 3.25 | 23.62 | 24.25 | 7.50 | 3.25 | 3.25 | ---  |
| 447T  | 21.00 | 11.00 | 9.00 | 1.12 | .81 | 3.25 | 24.25 | 24.25 | 7.50 | 3.25 | 4.25 | 5.00 |
| 447TS | 21.00 | 11.00 | 9.00 | 1.12 | .81 | 3.25 | 24.25 | 24.25 | 7.50 | 3.25 | 4.25 | 5.00 |
| 449T  | 21.00 | 11.00 | 9.00 | 1.12 | .81 | 3.25 | 24.25 | 24.25 | 7.50 | 3.25 | 4.25 | 5.00 |
| 449TS | 21.00 | 11.00 | 9.00 | 1.12 | .81 | 3.25 | 24.25 | 24.25 | 7.50 | 3.25 | 4.25 | 5.00 |

| FRAME | C     | BS    | B     | BACK END SHAFT AND KEY |      |      |       |      |       |      |       |  |  | SQ. KEY (LBS) | WT. (LBS) |
|-------|-------|-------|-------|------------------------|------|------|-------|------|-------|------|-------|--|--|---------------|-----------|
|       |       |       |       | 2F                     | N    | N-W  | U(3)  | V    | LGTH. |      |       |  |  |               |           |
| 445T  | 39.56 | 8.25  | 19.00 | 16.50                  | 8.94 | 8.50 | 3.575 | 8.25 | 6.88  | .875 | 1.410 |  |  |               |           |
| 445TS | 35.81 | 8.25  | 19.00 | 16.50                  | 5.19 | 4.75 | 2.375 | 4.50 | 3.00  | .625 | 1.410 |  |  |               |           |
| 447T  | 43.06 | 10.00 | 22.50 | 20.00                  | 8.94 | 8.50 | 3.575 | 8.25 | 6.88  | .875 | 1.730 |  |  |               |           |
| 447TS | 39.31 | 10.00 | 22.50 | 20.00                  | 5.19 | 4.75 | 2.375 | 4.50 | 3.00  | .625 | 1.730 |  |  |               |           |
| 449T  | 48.06 | 12.50 | 27.50 | 25.00                  | 8.94 | 8.50 | 3.575 | 8.25 | 6.88  | .875 | 2.100 |  |  |               |           |
| 449TS | 44.31 | 12.50 | 27.50 | 25.00                  | 5.19 | 4.75 | 2.375 | 4.50 | 3.00  | .625 | 2.100 |  |  |               |           |

| FRAME | AA | AB    | AC    | AF   | PROT  | AE    |
|-------|----|-------|-------|------|-------|-------|
| 445T  | 4" | 24.63 | 18.63 | 7.00 | 12.00 | 11.00 |
| 445TS | 4" | 24.63 | 18.63 | 7.00 | 12.00 | 11.00 |
| 447T  | 4" | 24.63 | 18.63 | 7.00 | 12.00 | 11.00 |
| 447TS | 4" | 24.63 | 18.63 | 7.00 | 12.00 | 11.00 |
| 449T  | 4" | 24.63 | 18.63 | 7.00 | 12.00 | 11.00 |
| 449TS | 4" | 24.63 | 18.63 | 7.00 | 12.00 | 11.00 |

- (1) SPECIAL DIMENSIONS ON THIS LINE
- (2) "D" VARIES +.00, -.06
- (3) "U" & "U" VARY +.000, -.001
- (4) 445 FRAME HAS ONE EYEBOLT CENTERLINE OF FRAME.

CONDUIT BOX LOCATED ON OPPOSITE SIDE WHEN F-2, W-1, W-4, W-5, W-7, OR C-1 MOUNTING IS SPECIFIED. STANDARD DOUBLE SHAFT SUPPLIED ONLY WHEN SPECIFIED. IF MOUNTING CLEARANCE DETAILS ARE REQUIRED CONSULT FACTORY. MAXIMUM PERMISSIBLE SHAFT RINOUT WHEN MEASURED AT END OF STANDARD SHAFT EXTENSION IS .003 T.I.R.

CUSTOMER IS RESPONSIBLE FOR DETERMINING THAT BALDOR'S PRODUCT WILL PERFORM SUITABLY IN THE INTENDED APPLICATION.

|                                      |                              |                   |
|--------------------------------------|------------------------------|-------------------|
| REV. DESC: CHANGING TO CORRECT TITLE |                              |                   |
| REV. LTR: B                          | VERSION: 02                  | TDR: 000000752338 |
| FILE: \RAG\00012\166                 | REVISED: 01:05:26 06/27/2012 | BY: RAGRA         |
| MTL: -                               |                              |                   |

**BALDOR**

DIM SHEET PROT 445T-449TS ABV/NEMA - SPCL C/BOX - 14X14X12

SH 1 of 1

FRAME \_\_\_\_\_ TYPE \_\_\_\_\_ CERTIFIED FOR \_\_\_\_\_  
 ORDER \_\_\_\_\_ ITEM \_\_\_\_\_ HP \_\_\_\_\_ RPM \_\_\_\_\_ PH \_\_\_\_\_ HZ \_\_\_\_\_ VOLTS \_\_\_\_\_  
 SALES ORDER \_\_\_\_\_ APPROVED BY \_\_\_\_\_ DATE \_\_\_\_\_