

# DUTY MASTER ALTERNATING CURRENT MOTORS

## SQUIRREL-CAGE INDUCTION

ENCLOSURE: PROTECTED  
MOUNTING: FOOT

FRAMES 364T-365T

COOLING: SELF-VENTILATED

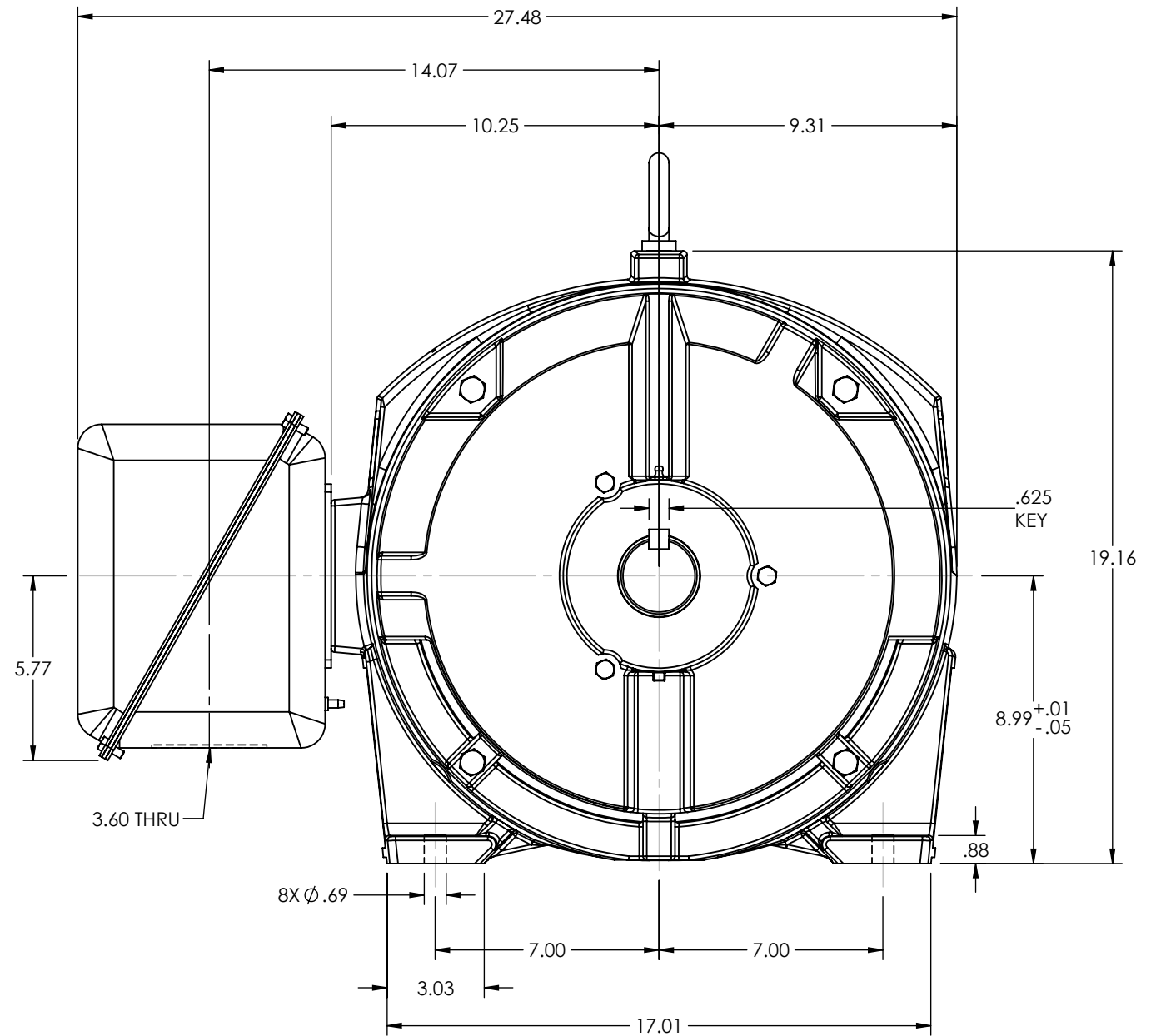
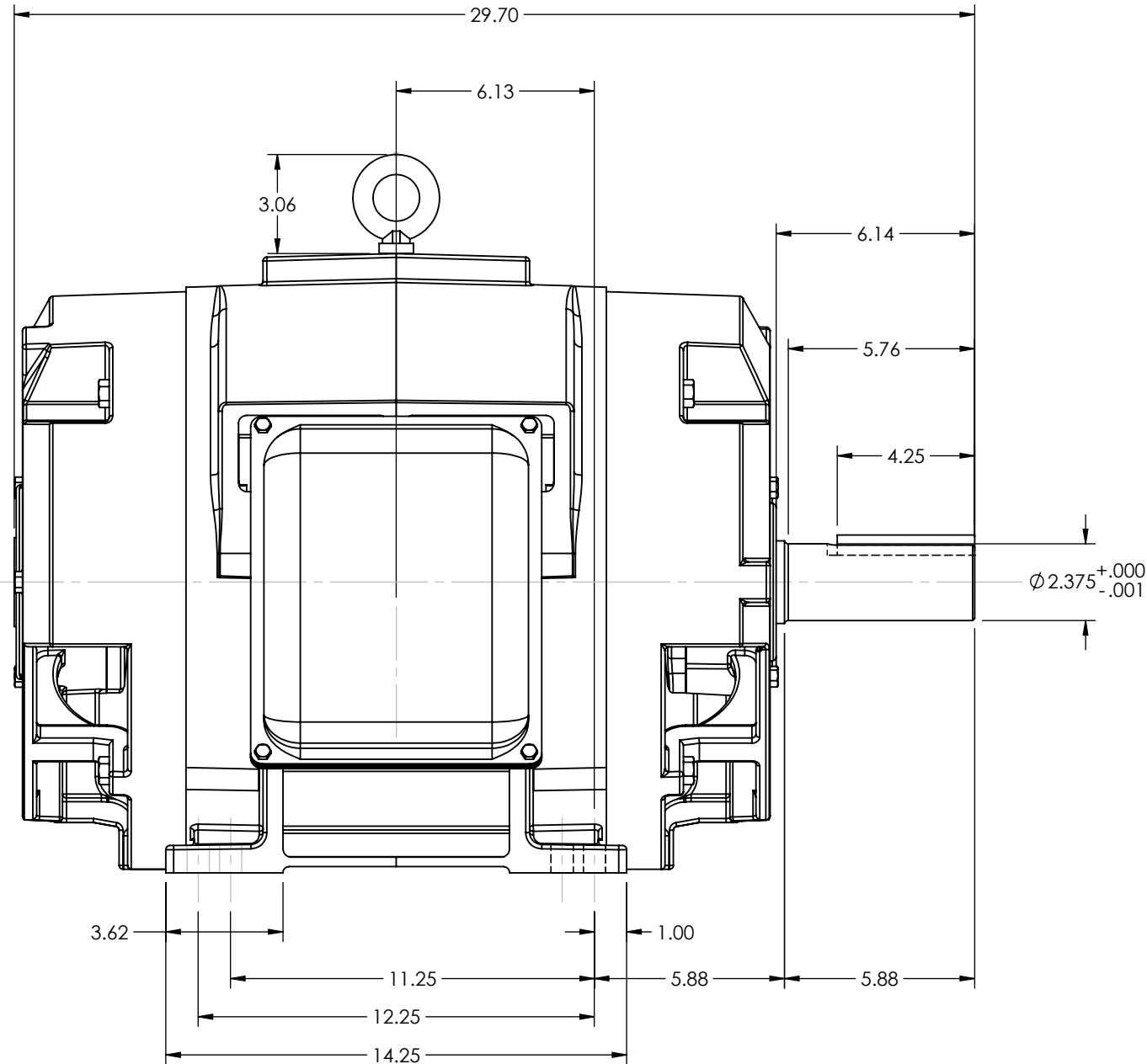
617428-130

D

C

B

A



D

C

B

A

MAXIMUM PERMISSIBLE SHAFT RUNOUT WHEN MEASURED AT END OF SHAFT EXTENSION IS .003 T.I.R.

WEIGHT (LBS): 364T = 715  
365T = 755

MOTOR WEIGHTS MAY VARY BY 15% DEPENDING UPON RATING.

CUSTOMER IS RESPONSIBLE FOR DETERMINING THAT BALDOR'S PRODUCT WILL PERFORM SUITABLY IN THE INTENDED APPLICATION

REV. DESC: NEW			
REV: -	VERSION: 00	REVISED: 03:26:18 07/01/2016	TDR: 000000983096
MODEL NO. 617428-130			REF: -
BY: USBRCHA2			

**BALDOR**

DIM SHT PROT SV FT 364-5T (611750-001)

617428-130

B

8 7 6 5 4 3 2 1