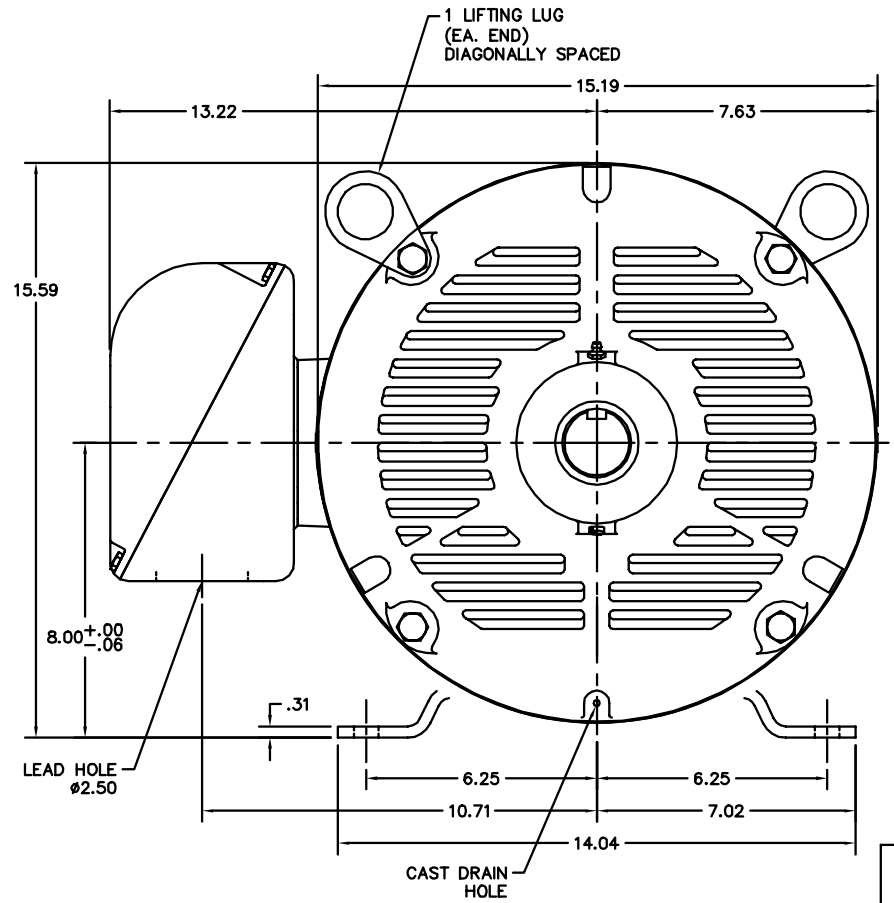
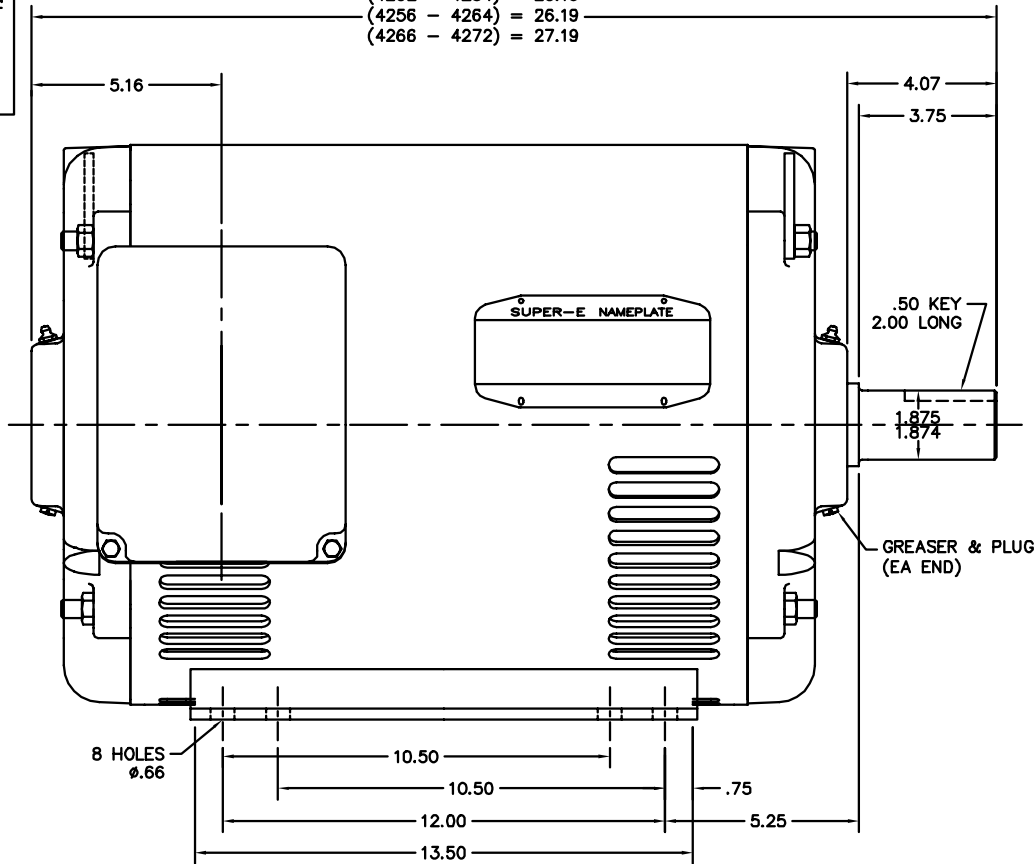


(4232 - 4254) = 25.19
 (4256 - 4264) = 26.19
 (4266 - 4272) = 27.19



CUSTOMER IS RESPONSIBLE FOR DETERMINING THAT BALDOR'S PRODUCT WILL PERFORM SUITABLY IN THE INTENDED APPLICATION.

REV. DESC: UPDATED DESCRIPTION		
REV. LTR: G	VERSION: 03	TDR: 00000855149
FILE: \AAA\00028\432	REVISED: 10:05:59 05/23/2014	BY: ENNINDO
MTL: -		

BALDOR

HORZ OPSB 324-6TS, SUPER-E

SH 1 of 1