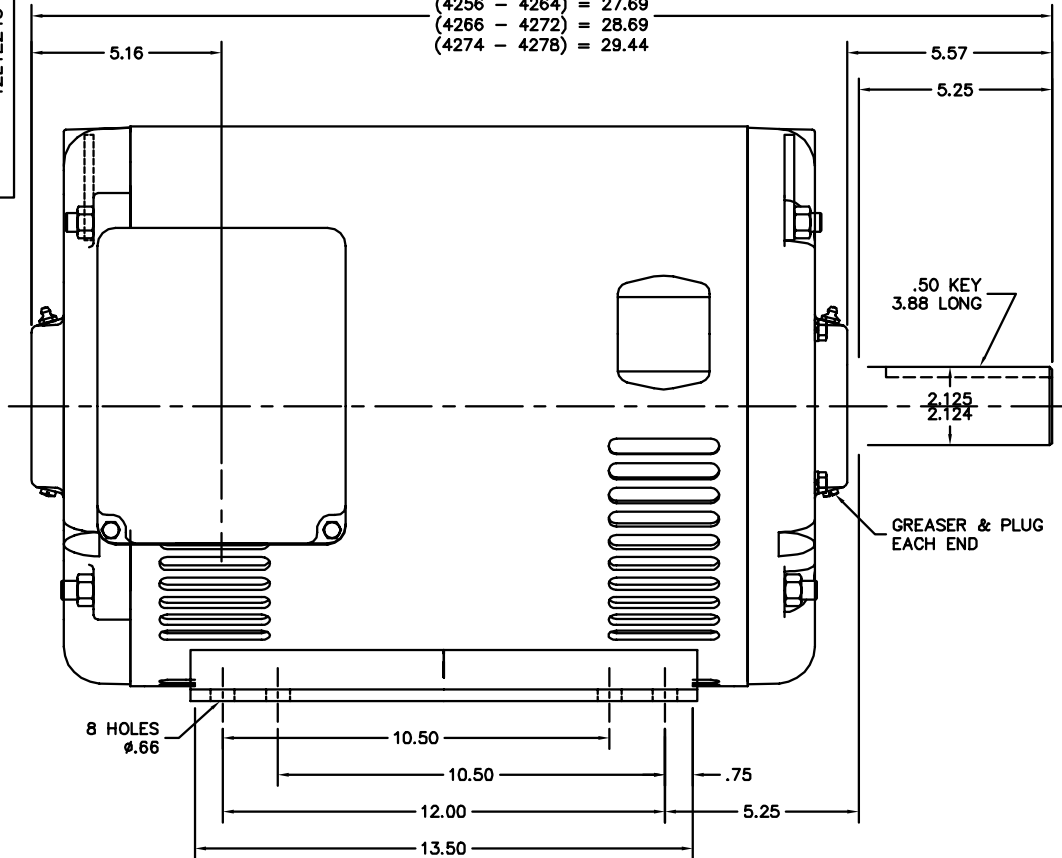
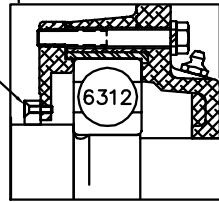


42LYE245

(4232 - 4254) = 26.69  
(4256 - 4264) = 27.69  
(4266 - 4272) = 28.69  
(4274 - 4278) = 29.44



SHAFT GROUND  
(BP5305)

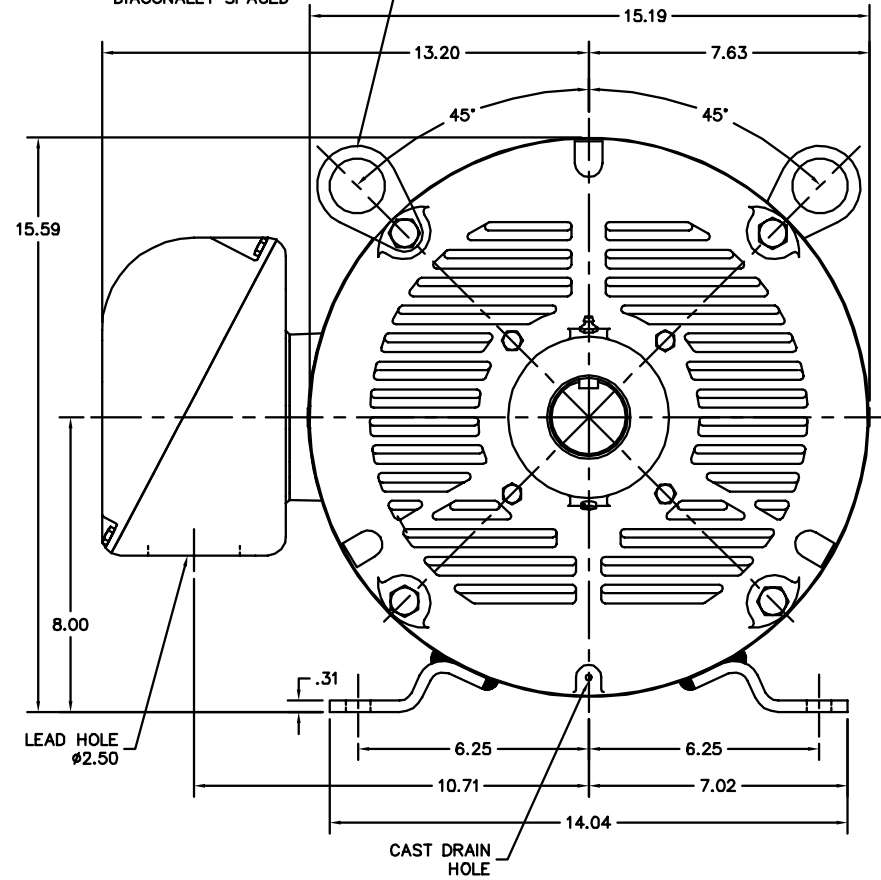


PULLEY END DETAIL

CUSTOMER IS RESPONSIBLE FOR DETERMINING THAT BALDOR'S PRODUCT WILL PERFORM SUITABLY IN THE INTENDED APPLICATION.

REV. DESC: REMOVE LOCKNUT PROVISIONS		
REV. LTR: A	VERSION: 01	TDR: 000000957770
FILE: \AAA\00174\375	REVISED: 08:52:46 12/16/2015	BY: FGCHAH1
MTL: -		

1 LIFTING LUG  
EACH END  
DIAGONALLY SPACED



42LYE245

**BALDOR**

HOR OPSB 324-6T W/INT SH GND

SH 1 of 1