

DUTY MASTER ALTERNATING CURRENT MOTORS

SQUIRREL-CAGE INDUCTION

ENCLOSURE: PROTECTED
MOUNTING: FOOT

FRAMES 364T-365T

COOLING: SELF-VENTILATED

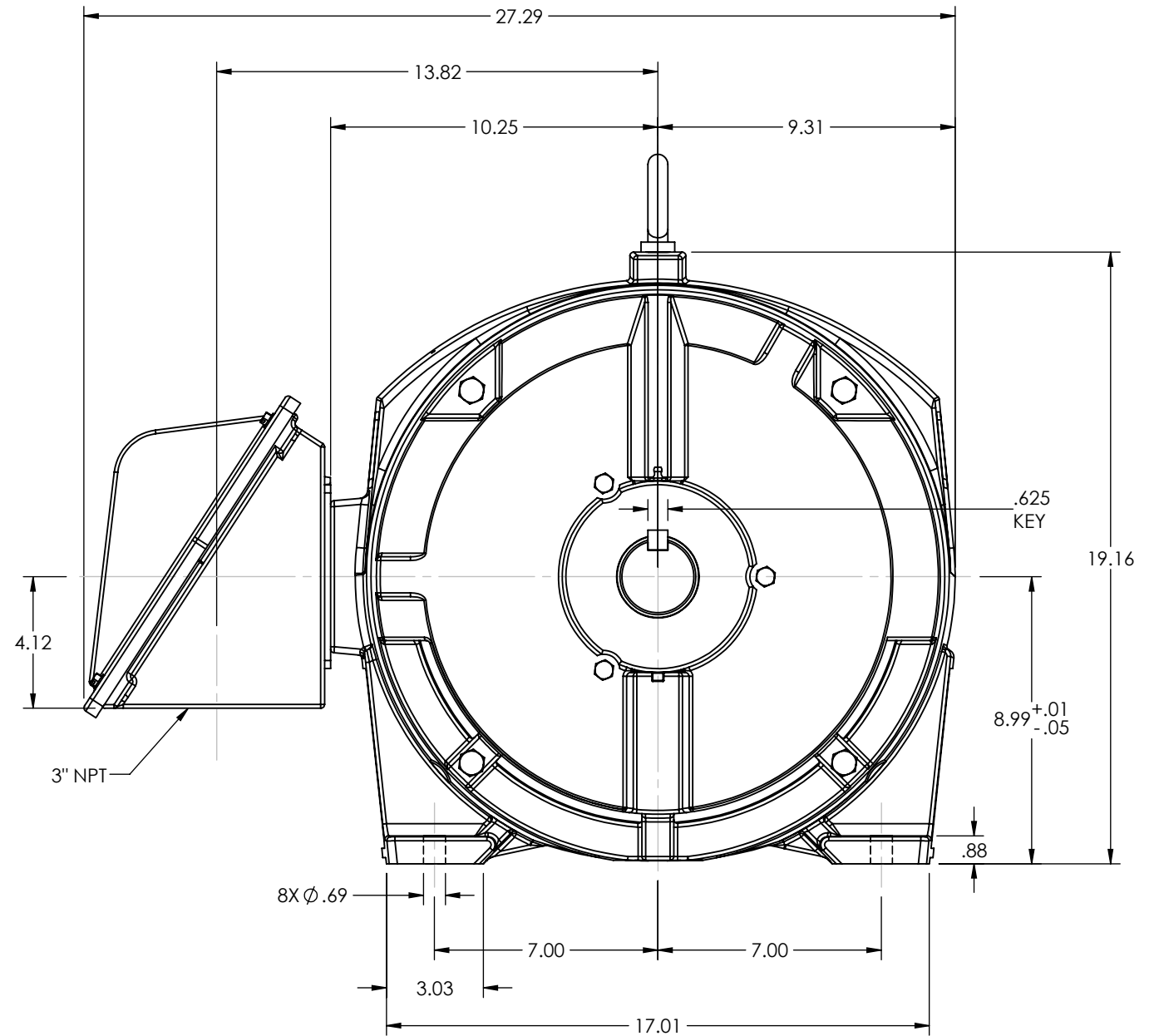
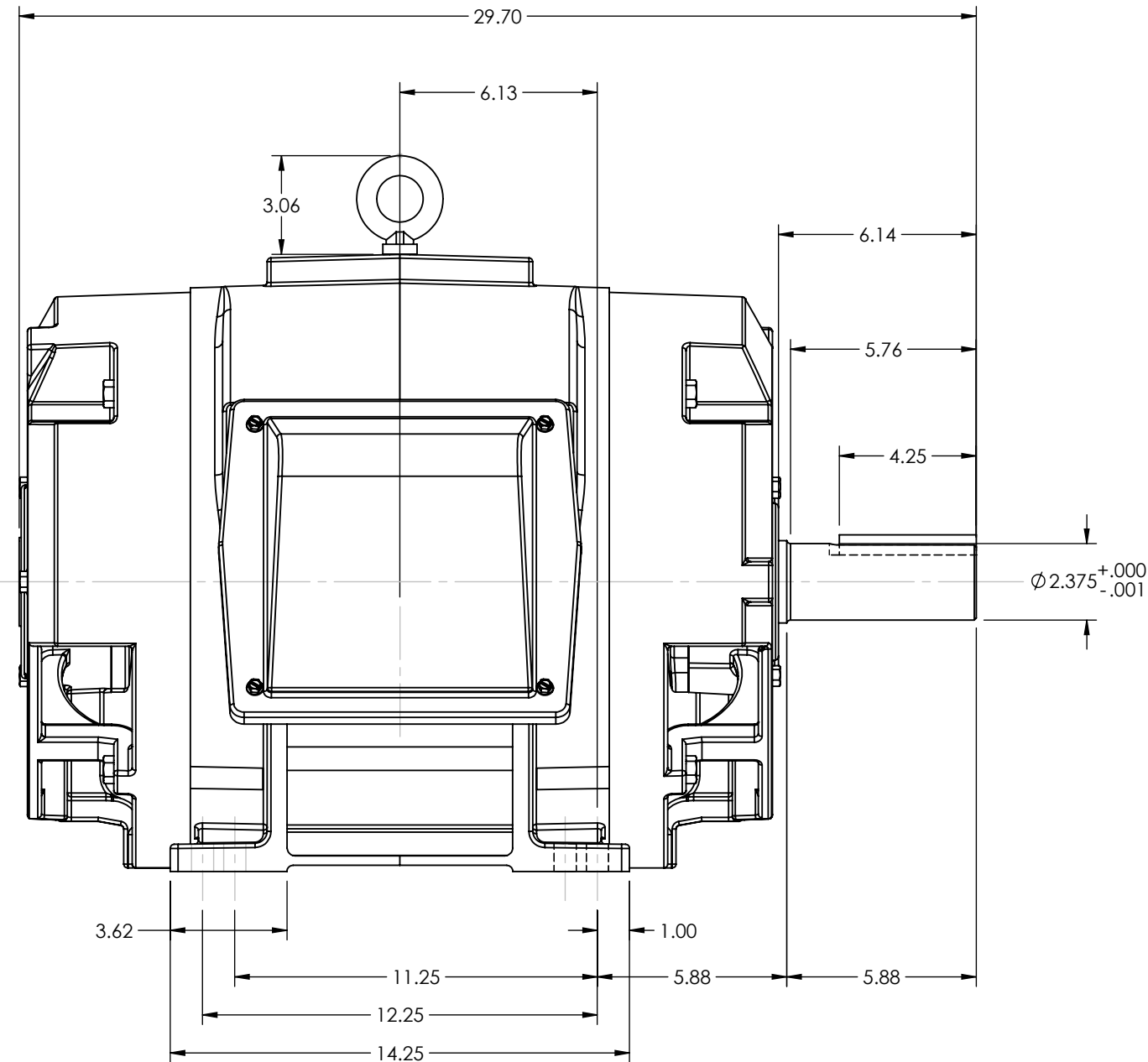
617428-115

D

C

B

A



D

C

B

A

MAXIMUM PERMISSIBLE SHAFT RUNOUT WHEN MEASURED AT END OF SHAFT EXTENSION IS .003 T.I.R.

WEIGHT (LBS): 364T = 715
365T = 755

MOTOR WEIGHTS MAY VARY BY 15% DEPENDING UPON RATING.

CUSTOMER IS RESPONSIBLE FOR DETERMINING THAT BALDOR'S PRODUCT WILL PERFORM SUITABLY IN THE INTENDED APPLICATION

REV. DESC: NEW TO REPLACE 364-5T ON 611750-001			
REV: -	VERSION: 00	REVISED: 02:34:58 07/01/2016	TDR: 00000983096
MODEL NO. 617428-115		REF: -	
BY: USBRCHA2		B	

BALDOR

DIM SHT PROT SV FT 364-5T (611750-001)

617428-115

8 7 6 5 4 3 2 1