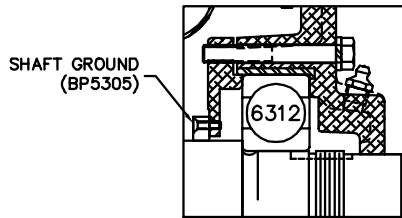
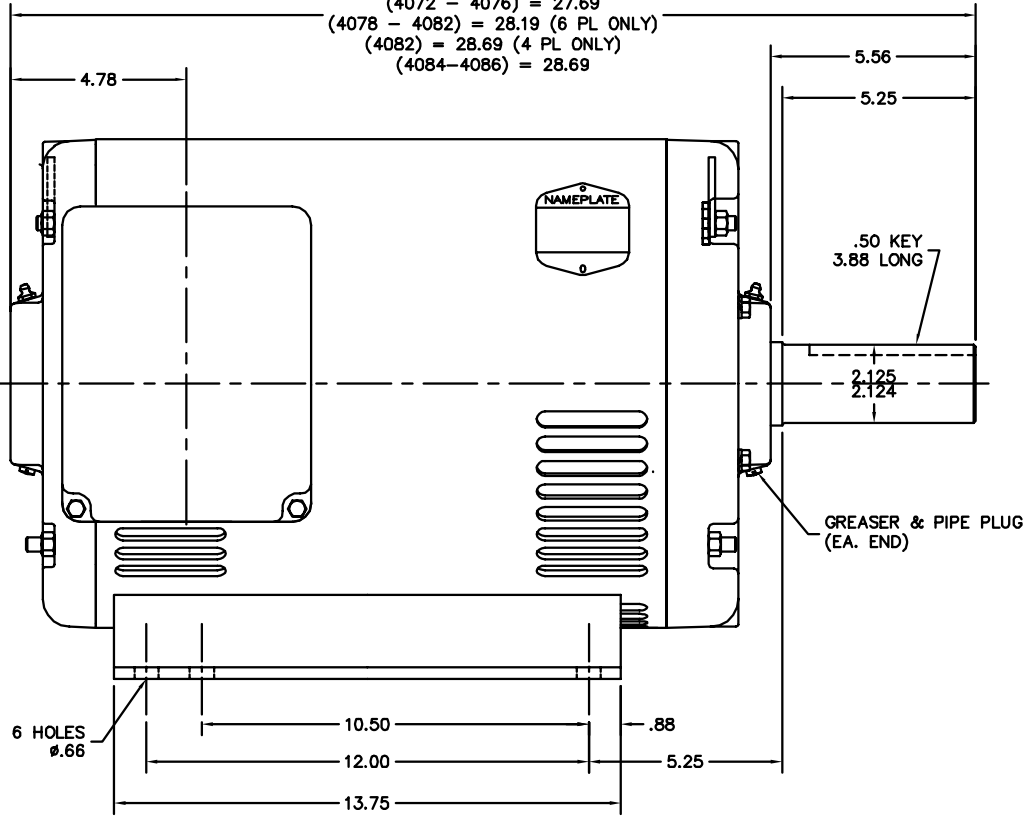


40LYE245

(4034 - 4056) = 26.19
 (4057 - 4070) = 27.19
 (4072 - 4076) = 27.69
 (4078 - 4082) = 28.19 (6 PL ONLY)
 (4082) = 28.69 (4 PL ONLY)
 (4084 - 4086) = 28.69

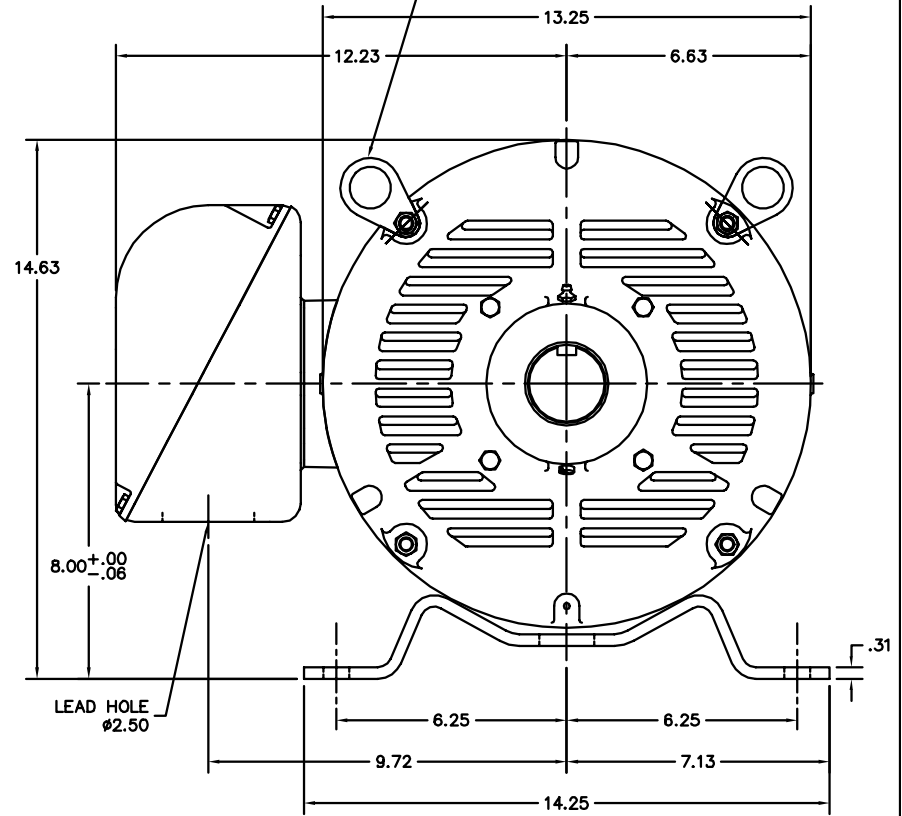


PULLEY END DETAIL

CUSTOMER IS RESPONSIBLE FOR DETERMINING THAT BALDOR'S PRODUCT WILL PERFORM SUITABLY IN THE INTENDED APPLICATION.

REV. DESC: UPDATED DESCRIPTION		
REV. LTR: A	VERSION: 01	TDR: 00000855149
FILE: \AAA\00174\347	REVISED: 10:58:53 05/23/2014	BY: ENNINDO
MTL: -		

1 LIFTING LUG
(EA. END)
DIAGONALLY SPACED



40LYE245

BALDOR

OPSB 324-6T W/INT SH GND

SH 1 of 1