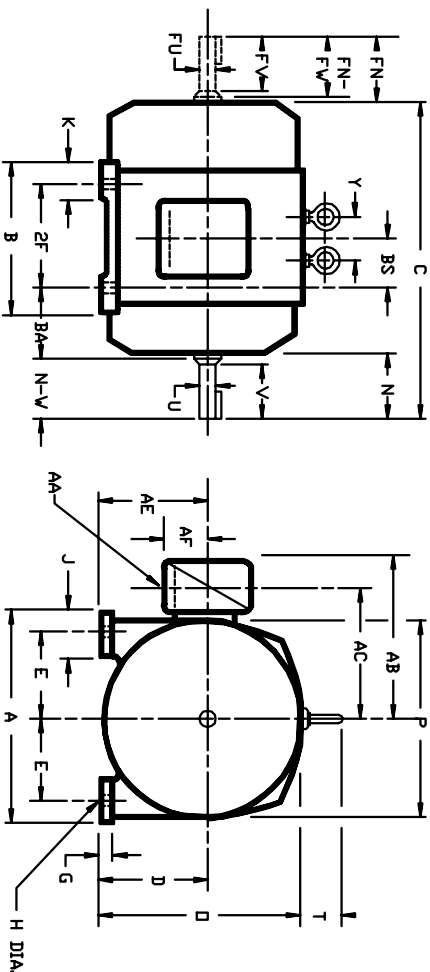


DUTY MASTER ALTERNATING CURRENT MOTORS

SQUIRREL-CAGE INDUCTION
 ENCLOSURE: PROTECTED & WEATHERPROTECTED | COOLING: SELF-VENTILATED
 TOTALLY ENCLOSED | NON-VENTILATED
 MOUNTING: FOOT

FRAMES 445T THRU 449TS ABOVE NEMA RATINGS



DIMENSIONS ARE IN INCHES

FRAME	A	D(2)	E	G	H	J	D	P	BA	K	T	Y (6)
445T	21.00	11.00	9.00	1.12	.81	3.25	23.62	24.25	7.50	5.25	3.25	---
449TS	21.00	11.00	9.00	1.12	.81	3.25	23.62	24.25	7.50	5.25	3.25	---
447T	21.00	11.00	9.00	1.12	.81	3.25	24.25	24.25	7.50	3.25	4.25	5.00
447TS	21.00	11.00	9.00	1.12	.81	3.25	24.25	24.25	7.50	3.25	4.25	5.00
449T	21.00	11.00	9.00	1.12	.81	3.25	24.25	24.25	7.50	3.25	4.25	5.00
449TS	21.00	11.00	9.00	1.12	.81	3.25	24.25	24.25	7.50	3.25	4.25	5.00

FRAME	C	BS	B	DRIVE END SHAFT AND KEY			SQ. KEY LGTH.	OPPOSITE DRIVE END SHAFT AND KEY			SQ. KEY LGTH.	SQ. WT. (LBS)					
				2F	N	N-V U(3)		V	FN	FN-FV U(3)			FV				
445T	39.56	8.25	19.00	16.50	8.94	8.50	3.375	8.25	6.88	.875	6.31	5.88	2.375	5.62	4.25	6.25	14.0
445TS	35.81	8.25	19.00	16.50	5.19	4.75	2.375	4.50	3.00	6.25	5.19	4.75	2.375	4.50	3.00	6.25	14.0
447T	43.06	10.00	22.50	20.00	8.94	8.50	3.375	8.25	6.88	.875	6.31	5.88	2.375	5.62	4.25	6.25	17.30
447TS	39.31	10.00	22.50	20.00	5.19	4.75	2.375	4.50	3.00	6.25	5.19	4.75	2.375	4.50	3.00	6.25	17.30
449T	48.06	12.50	27.50	25.00	8.94	8.50	3.375	8.25	6.88	.875	6.31	5.88	2.375	5.62	4.25	6.25	21.00
449TS	44.31	12.50	27.50	25.00	5.19	4.75	2.375	4.50	3.00	6.25	5.19	4.75	2.375	4.50	3.00	6.25	21.00

FRAME	AA	PROT (4)	CONDUIT BOX			STANDARD		
			AE	TENV	ARG(5)	ACC(5)	AF	
445T	4'	12.00	11.00	22.75	17.50	7.00	7.00	7.00
445TS	4'	12.00	11.00	22.75	17.50	7.00	7.00	7.00
447T	4'	12.00	11.00	22.75	17.50	7.00	7.00	7.00
447TS	4'	12.00	11.00	22.75	17.50	7.00	7.00	7.00
449T	4'	12.00	11.00	22.75	17.50	7.00	7.00	7.00
449TS	4'	12.00	11.00	22.75	17.50	7.00	7.00	7.00

- (1) SPECIAL DIMENSIONS ON THIS LINE
- (2) "D" VARIES +.00, -.06
- (3) "U" & "FV" VARY +.000, -.001
- (4) WEATHERPROOF CONDUIT BOX SUPPLIED ONLY WHEN SPECIFIED
- (5) DIMENSIONS SHOWN ARE FOR PROTECTED MOTORS, FOR TENV MOTORS "AB"=23.37, "AC"=18.12
- (6) 445 FRAME HAS ONE EYEBOLT "C" OF FRAME.

CONDUIT BOX LOCATED ON OPPOSITE SIDE WHEN F-2, V-1, V-4, V-5, V-7, OR C-1 MOUNTING IS SPECIFIED. STANDARD DOUBLE SHAFT SUPPLIED ONLY WHEN SPECIFIED. IF MOUNTING CLEARANCE DETAILS ARE REQUIRED CONSULT FACTORY. MAXIMUM PERMISSIBLE SHAFT RUNOUT WHEN MEASURED AT END OF STANDARD SHAFT EXTENSION IS .003 T.I.R.

CUSTOMER IS RESPONSIBLE FOR DETERMINING THAT BALDOR'S PRODUCT WILL PERFORM SUITABLY IN THE INTENDED APPLICATION.

REV. DESC: LOADED TO BUS	VERSION: 01	TDR: 000000561165
REV. LTR: A	REVISED: 08:19:54 10/18/2010	BY: RAGRA
FILE: \RAG\00012\156		
MTL: -		



DIM SHEET PROT/WEATHER TENV 445T-449TS ABOVE NEMA

FRAME- _____ TYPE- _____ CERTIFIED FOR- _____
 ORDER- _____ ITEM- _____ HP- _____ RPM- _____ PH- _____ HZ- _____ VOLTS- _____
 SALES ORDER- _____ APPROVED BY- _____ DATE _____