

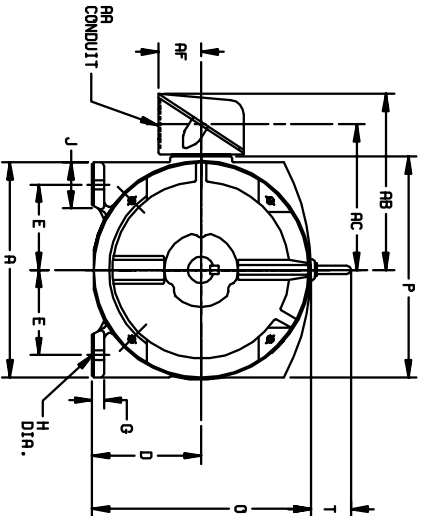
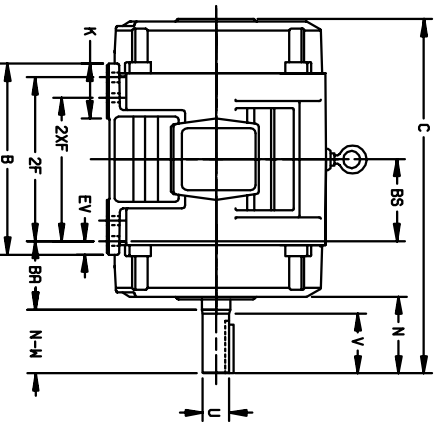
# DUTY MASTER ALTERNATING CURRENT MOTORS

SQUIRREL-CAGE INDUCTION

ENCLOSURE: PROTECTED  
MOUNTING: FOOT

FRAMES 250T THRU 440T

COOLING: SELF-VENTILATED



DIMENSIONS ARE IN INCHES

FRAME	A	D(2)	E	G	H	J	K	O	P	T	STEEL TERMINAL BOX					
											AA	AB	AC	AF	BA	EV
254T-256T	12.50	6.25	5.00	.89	.56	2.25	3.50	12.61	12.69	2.44	1-1/4	10.19	8.19	2.50	4.25	.62
284T-286TS	14.00	7.00	5.50	.75	.56	2.75	3.75	14.12	14.31	2.44	1-1/2	12.19	9.44	3.19	4.75	1.00
324T-326TS	15.75	8.00	6.25	.88	.69	3.12	4.00	16.10	16.42	2.44	2	14.25	10.75	4.25	5.25	1.00
364T-365TS	17.00	9.00	7.00	.88	.69	3.00	3.62	18.30	19.56	2.94	3	18.06	14.00	5.36	5.88	1.00
404T-405TS	19.00	10.00	8.00	1.12	.81	3.25	4.75	20.56	21.81	2.94	3	19.06	15.00	4.38	6.62	1.12
444T-445TS	21.00	11.00	9.00	1.12	.81	3.25	5.25	22.91	23.62	3.25	3	22.62	17.38	5.50	7.50	1.25

FRAME SIZE	C	BS	B	2F	2XF	N	SHAFT AND KEY			WEIGHT (LBS. (5))		
							N-(W(6))	U(3)	V		SQ.	LGTH.
254T	22.44	5.00	11.25	---	8.25	4.25	4.00	1.625	3.75	.375	2.75	265
256T	22.44	5.00	11.25	10.00	---	4.25	4.00	1.625	3.75	.375	2.75	275
284T	24.94	5.50	13.00	---	9.50	4.88	4.62	1.875	4.38	.500	3.25	340
286TS	23.96	5.50	13.00	---	9.50	3.50	3.25	1.625	3.00	.375	1.88	340
286T	23.94	5.50	13.00	11.00	---	4.88	4.62	1.875	4.38	.500	3.25	370
286TS	23.96	5.50	13.00	11.00	---	3.50	3.25	1.625	3.00	.375	1.88	370
324T	27.56	6.00	14.00	---	10.50	5.50	5.25	2.125	5.00	.500	3.75	465
326TS	26.06	6.00	14.00	---	10.50	4.00	3.75	1.875	3.50	.500	2.00	465
326T	27.56	6.00	14.00	12.00	---	3.50	3.25	2.125	5.00	.500	3.75	505
326TS	26.06	6.00	14.00	12.00	---	4.00	3.75	1.875	3.50	.500	2.00	505
364T	29.70	6.12	14.25	---	11.25	6.12	5.88	2.375	5.62	.625	4.25	715
364TS	27.58	6.12	14.25	---	11.25	4.00	3.75	1.875	3.50	.500	2.00	710
366T	29.70	6.12	14.25	12.25	---	6.12	5.88	2.375	5.62	.625	4.25	755
366TS	27.58	6.12	14.25	12.25	---	4.00	3.75	1.875	3.50	.500	2.00	750
404T	34.00	6.88	16.00	---	12.25	7.62	7.25	2.875	7.00	.750	5.50	1025
404TS	31.00	6.88	16.00	---	12.25	4.62	4.25	2.125	4.00	.500	2.75	1020
405T	34.00	6.88	16.00	13.75	---	7.62	7.25	2.875	7.00	.750	5.50	1065
405TS	31.00	6.88	16.00	13.75	---	4.62	4.25	2.125	4.00	.500	2.75	1060
444T	39.56	8.25	19.00	---	14.50	8.94	8.50	3.375	8.25	.875	6.88	1715
444TS	35.81	8.25	19.00	---	14.50	5.19	4.75	2.375	4.50	.625	3.00	1710
445T	39.56	8.25	19.00	16.50	---	8.94	8.50	3.375	8.25	.875	6.88	1755
445TS	35.81	8.25	19.00	16.50	---	5.19	4.75	2.375	4.50	.625	3.00	1750

- (1) SPECIAL DIMENSIONS APPLYING TO THIS ORDER ON THIS LINE.
- (2) "D" VARIES — 250T - 320T +.00, -.03.  
360T - 440T +.00, -.06.
- (3) "U" VARIES +.000, -.001
- (4) ALL FRAMES HAVE EIGHT MOUNTING HOLES FOR DUAL MOUNTING.
- (5) MOTOR WEIGHTS MAY VARY BY 15% DEPENDING UPON RATING.

CONDUIT BOX LOCATED ON OPPOSITE SIDE WHEN F-2,W-1, W-4,W-5,W-7, OR C-1 MOUNTING IS SPECIFIED.  
IF MOUNTING CLEARANCE DETAILS ARE REQUIRED, CONSULT FACTORY.  
MAXIMUM PERMISSIBLE SHAFT RUNOUT WHEN MEASURED AT END OF STD. SHAFT EXTENSION IS .002 T.I.R. UP TO AND INCLUDING 1.625 DIA. AND .003 T.I.R. ABOVE 1.625 TO 5 INCH DIA.

FRAMES "N-W" VARIES +.00, -.25 RPM  
ORDER — ITEM — HP — CERTIFIED FOR — RPM — PH — HZ — VOLTS  
SALES ORDER — APPROVED BY — DATE

CUSTOMER IS RESPONSIBLE FOR DETERMINING THAT BALDOR'S PRODUCT WILL PERFORM SUITABLY IN THE INTENDED APPLICATION.

REV. DESC: ASSIGNED TO BUSLOAD	VERSION: 01	TDR: 000000489455
REV. LTR: A	REVISED: 15:03:33 02/02/2009	BY: RAGZJR
FILE: \RAG\00008\297		
MTL: -		

**Baldor • Dodge • Reliance**

DIM SHT PROT SV FT 250-440T

SH 1 of 1