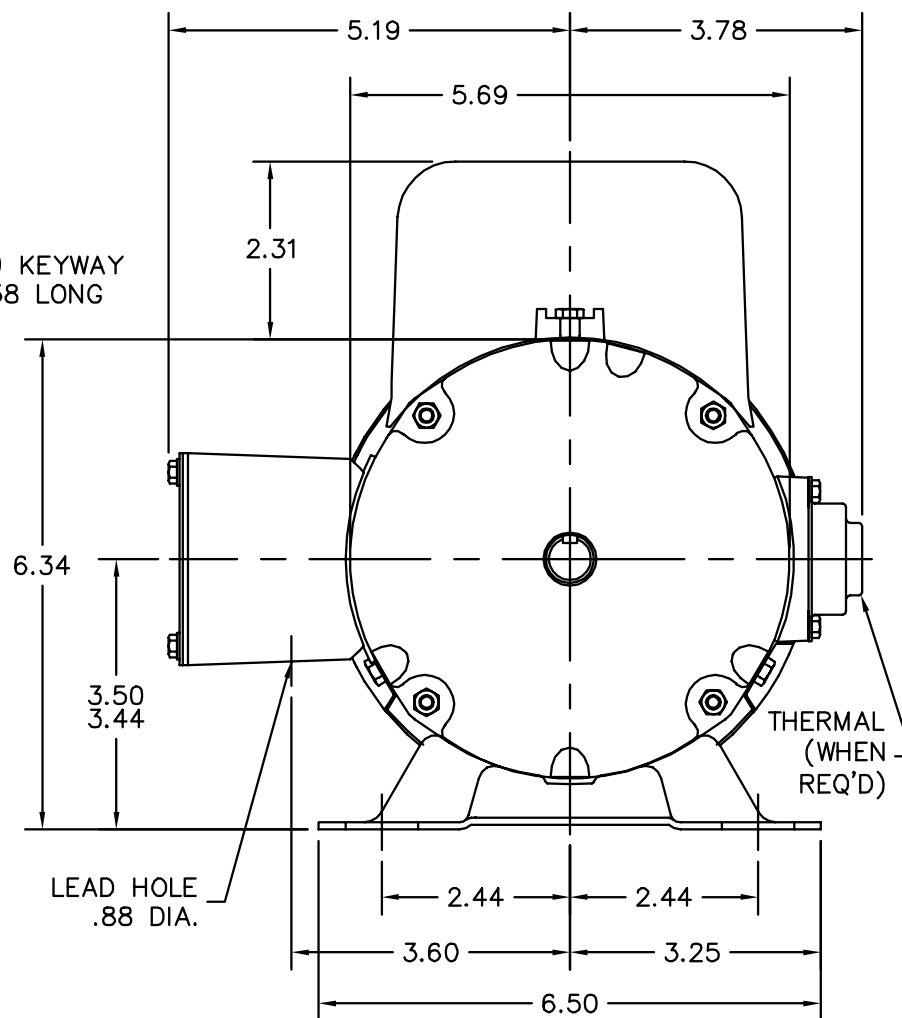


.19 KEYWAY
1.38 LONG



CUSTOMER IS RESPONSIBLE FOR DETERMINING THAT BALDOR'S PRODUCT WILL PERFORM SUITABLY IN THE INTENDED APPLICATION.

REV. DESC: .6250/.6245 WAS .6680/.6675

REV. LTR: D

VERSION: 03

TDR: 000001025083

FILE: \AAA\00038\540

REVISED: 01:31:56 04/21/2017

BY: ENVIENO

MTL: -



BALDOR

HORZ 34LC NEMA 56 TEFC

SH 1 of 1