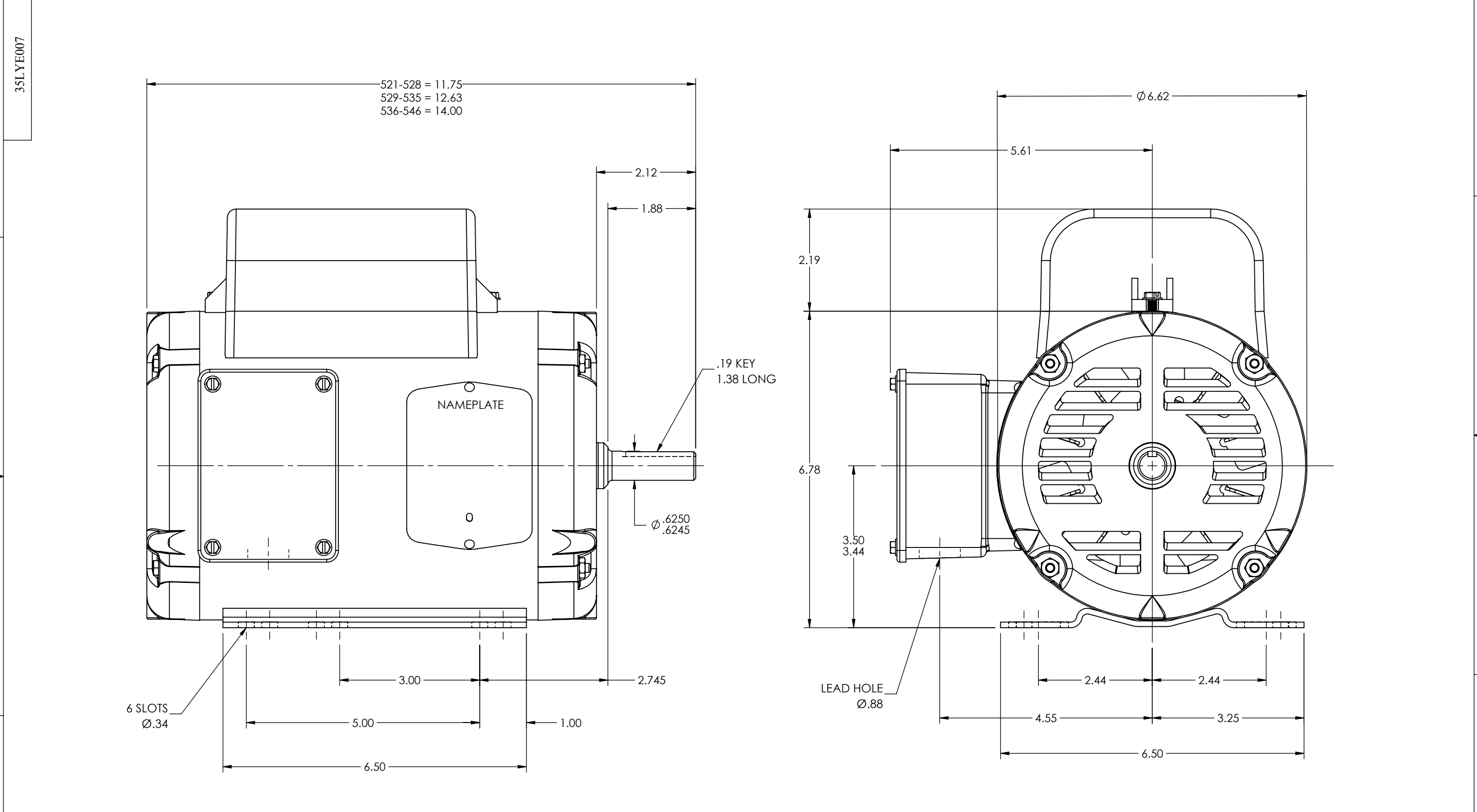


8 7 6 5 4 3 2 1



CUSTOMER IS RESPONSIBLE FOR DETERMINING THAT THE PRODUCT WILL PERFORM SUITABLY IN THE INTENDED APPLICATION

REV. DESC: LOADING OF SWD DWG FOR 2D TO 3D CONVERSION - PKG12			
REV: P	VERSION: 04	REVISED: 02:39:00 12/14/2018	TDR: 000001093440
MODEL NO. 35LYE007			REF: -
BY: ENALEM0			B

BALDOR - RELIANCE®

STD HORZ 56/56H OPEN 35LC
SH 1 OF 1

35LYE007

8 7 6 5 4 3 2 1