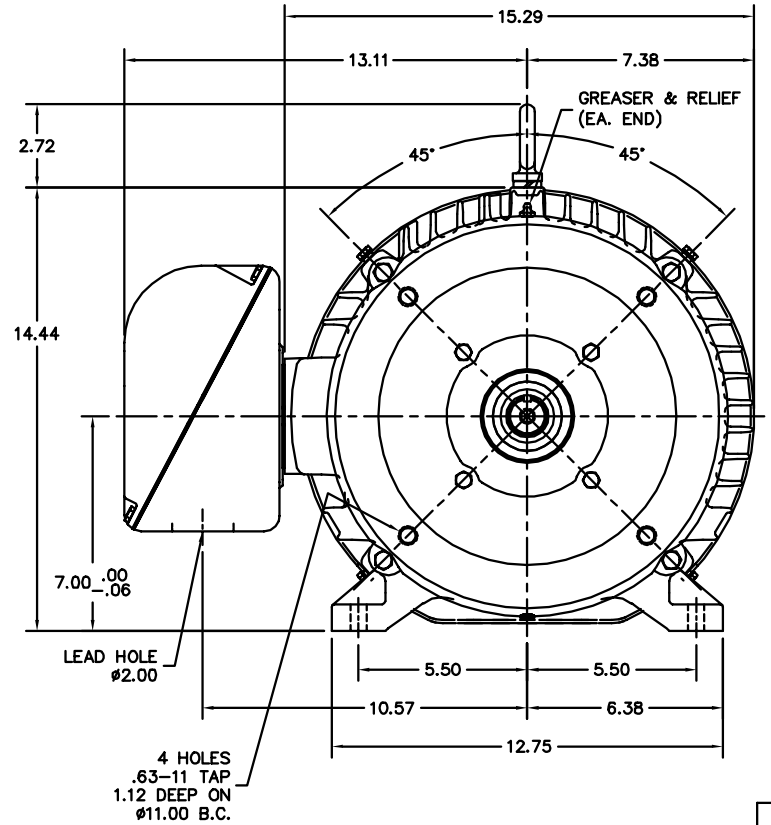


UNDERCUT DETAIL
SCALE = .4



CUSTOMER IS RESPONSIBLE FOR DETERMINING THAT BALDOR'S PRODUCT WILL PERFORM SUITABLY IN THE INTENDED APPLICATION.

REV. DESC: UPDATE DRAIN FITTING		
REV. LTR: F	VERSION: 04	TDR: 000000857835
FILE: \AAA\00043\200	REVISED: 11:24:07 06/13/2014	BY: ENNINDO
MTL: -		

BALDOR

HOR TEFC 284-6JP
SH 1 of 1