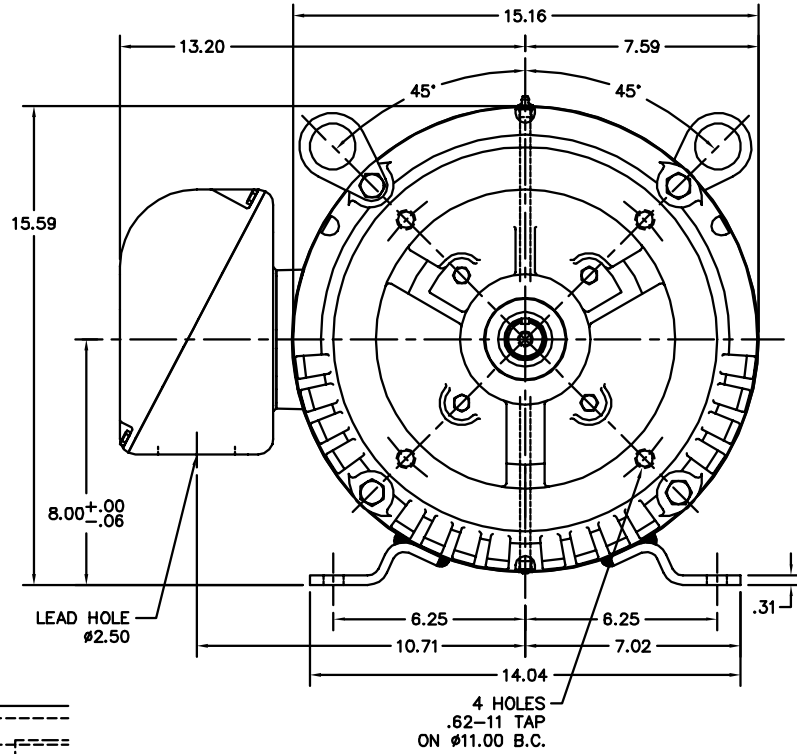
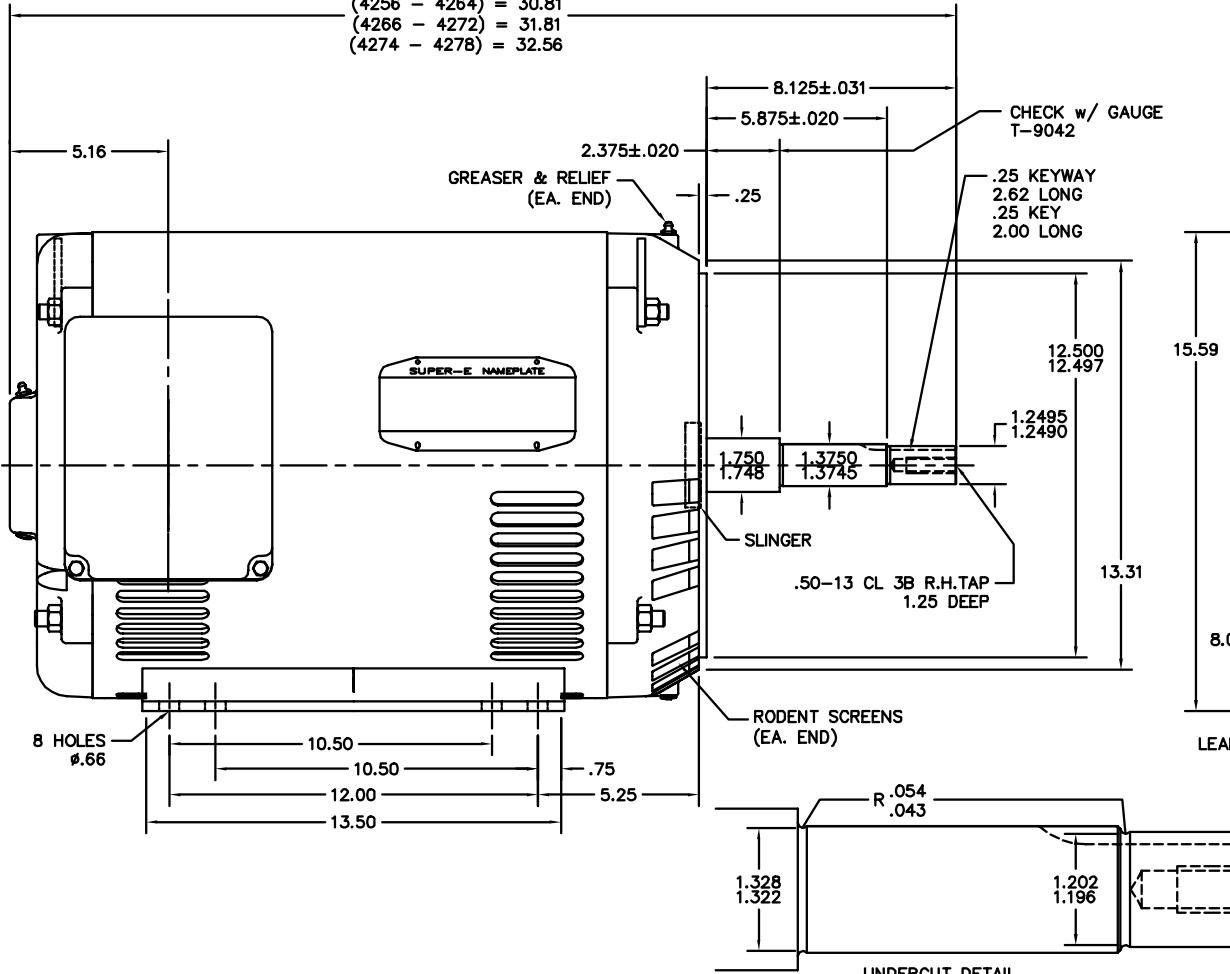


(4232 - 4254) = 29.81
 (4256 - 4264) = 30.81
 (4266 - 4272) = 31.81
 (4274 - 4278) = 32.56



UNDERCUT DETAIL
SCALE = .75

CUSTOMER IS RESPONSIBLE FOR DETERMINING THAT BALDOR'S PRODUCT WILL PERFORM SUITABLY IN THE INTENDED APPLICATION.

| | | |
|-------------------------|------------------------------|------------------|
| REV. DESC: CHANGE C-DIM | | |
| REV. LTR: A | VERSION: 01 | TDR: 00000821994 |
| FILE: \AAA\00163\957 | REVISED: 10:36:35 10/11/2013 | BY: ENKANVO |
| MTL: - | | |

BALDOR

HORZ OPSB 324-6JP; RODENT SCREENS, SUPER-E

SH 1 of 1